

# *Made in Italy since 1965*

## **Azienda\_Company**

Nata nel 1965, Fiore è un nome ben noto e stimato da uomini d'affari del settore, nonché dai consumatori stessi, in Italia e in tutto il mondo. Il motivo di questa rapida crescita e dei successi commerciali sono dovuti sia alla competenza di coloro che lavorano in azienda che dai grandi investimenti effettuati da Fiore Rubinetterie nel corso degli anni.

Born in 1965, today FIORE is a well-known name, esteemed by businessmen of the same sector as well as the consumers themselves, in Italy and all over the world. The reason behind this rapid growth and the commercial successes which followed are due to the competence of those working in the company as well as to the large investments made by Fiore Rubinetterie over the years.

---

## **Progetto\_Project**

La produzione Fiore inizia dallo studio progettuale seguendo le richieste dei clienti, le tendenze del mercato e il desiderio di innovazione attraverso la competenza e la ricerca durante la fase progettuale e creativa. Il Centro Ricerca e Design Fiore è in continuo movimento fra sperimentazione e tecnologia, in totale apertura verso ogni novità di settore per quanto riguarda sistemi di lavorazione, finiture, ottimizzazione delle risorse e tendenze di Design.

Fiore production starts from the study of the design according to the customer requirements, market trends and strong desire of innovation. Fiore Research and Design Center is constantly moving between experimentation and technology following the latest innovations regarding manufacturing systems, product optimization and design trends.

---

## **Qualità\_Quality**

La qualità dei prodotti e la massima cura alle richieste dei clienti, nonché la capacità di soddisfare le loro esigenze nel tempo più breve possibile, sono i punti focali della filosofia aziendale di Fiore e la ragione per i suoi continui successi.

Product quality, attention to the customers' needs and the ability to meet their requirements in the shortest time possible are the focal points of Fiore philosophy and the reason for our continuous success.

---

# Nel mondo In the world



Più di 50 anni di  
esperienza  
*More than 50 years  
of experience*

22.000 mq

Lavorazioni  
meccaniche  
*Machining  
department*

80 dipendenti  
*80 workers*

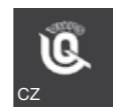
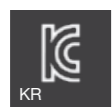
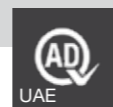
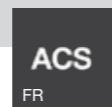
Distribuzione in più di  
80 paesi nel mondo  
*Distribution in more than  
80 countries worldwide*

Magazzino  
*Warehouse*

Assemblaggio e collaudo  
*Assembling & testing*

Spedizioni  
*Shipping  
department*

Uffici  
*Offices*



# Projects reference



Burj Damac Waterfront  
Doha  
Qatar



Hotel Sir E.K. Savigny  
Berlin  
Germany



Grand Tunis Hotel  
Tunis  
Tunisia



The Address Hotel  
Dubai  
UAE



Shangri-La's Hotel  
Sabah  
Malaysia



Radisson Blu Resort  
Sharjah  
UAE



Al Duja Tower  
Dubai  
UAE



Domus Hotel  
Berlin  
Germany



Kalderimi Country House Hotel Pelion  
Magnisia  
Greece

The Address Hotel, Dubai  
Nobility, Sangdo, Seoul, Korea  
Emotional Grand Hotel, Borgomanero, Italy  
Mag 5 Boulevard, Dubai UAE  
Qasr Al-Sultan Hotels, Dubai UAE  
Al Duja Tower, Dubai UAE  
Mohammad Nazim Asreb Building, Dubai UAE  
Goshi Tower, Dubai UAE  
Abu Shadi Building, Dubai UAE  
Sheikh Abdullah Alqasimi Building, Sharjah UAE  
Burj Damac Waterfront, Doha, Qatar  
Radisson Blu Resort, Sharjah UAE  
Shangri-La's Hotel Sabah, Malaysia  
Kalderimi Country House Hotel Pelion, Magnisia, Greece  
Apartments of the Olympic Village, Athens, Greece  
San Marco Hotel, Mykonos, Greece  
Marina Hotel & Bungalows, Gouves, Greece  
Agios Savvas Regional Cancer Hospital, Athens, Greece  
Corfù International Airport, Corfù, Greece  
Nawazi Al Aziziah Hotel, Mecca, Saudi Arabia  
Residential and Commercial building, Jeddah, Saudi Arabia  
Semeco Khobar, Saudi Arabia  
Kapsarc project / SK Contracting Co., Mecca, Saudi Arabia  
Al Marai Project, Jeddah, Saudi Arabia  
Al Hidayah-Al Tayseer project, Mecca, Saudi Arabia  
Masfala Hotel, Mecca, Saudi Arabia  
Aziziah Hotel, Mecca, Saudi Arabia  
Security Forces Medical Towers Centre, Mecca, Saudi Arabia  
Defence Raya Commercial, Lahore, Pakistan  
Defence Raya Golf Course Dha Lahore, Pakistan  
The Spring Apartment Homes, Pakistan  
High Q Tower, Pakistan  
Bin Mahfouz Group, Mecca, Saudi Arabia  
Astra Head Co. project, Jeddah, Saudi Arabia  
Zuwar Restaurant, Amman, Jordan  
Hotel Hyatt Zaman Hotel and Resort Petra, Jordan  
Olympic village for the Pan American Games, Santo Domingo, Dominican Republic  
Apartments, Bogotà, Colombia  
Boutique Hotel, Praga, Czech Republic  
Les Jardins de Carthage, Tunisi, Tunisia  
Residence Les Tulipes, Sfax, Tunisia  
Residence Hela, Sfax, Tunisia  
Ifrane Royal Palace, Ifrane, Morocco  
Domus Hotel, Berlin, Germany  
Gran City Hotels, Monaco, Germany  
Hotel Sir E.K. Savigny, Berlin, Germany  
Trip by Wyndham Düsseldorf City Centre, Düsseldorf, Germany  
Wyndham Excelsior Hotel, Berlin, Germany  
Hotel Excelsior - Monopol, GMBH Frankfurt, Germany  
Hotel Rotelle, Torrita di Siena, Italy  
Ngorongoro Serena Safari Lodge, Tanzania  
I.D.F Israeli Sea Force Office Building, Israel  
TLV Gindi Mall, Tel Aviv, Israel  
Orient Hotel, Jerusalem, Israel  
Dizenghoff Hotel, Tel Aviv, Israel  
Private Medical Center & Hotel, Petach Tikva, Israel  
Leonardo Beer Sheva Hotel, Beersheba, Israel  
Mineral Hotel Tiberia, Israel  
Leonardo Haifa Hotel, Israel

Legenda / Legend / Légende / легенда

71 XS	43 Nexus	84 Jafar Sky	13 Venere Sky
79 XS Vip	32 Max	89 Imperiale Black	17 XT Sky
85 XS Sky	37 Planet	82 Imperiale Sky	
81 Kevon Chic	38 Class	22 Coloniale Black	
75 kyma	42 Mistral	03 Coloniale Sky	
73 XO	24 Classic Line	08 Gioielli	
74 Kruno	01 Margot Sky	09 Gioielli Sky	



CR



NN



BB



TT

Icone / Icons / Icônes / Иконки



Pezzi per scatola  
Pieces per box  
Pièces par boîte  
штук в коробке

Peso del cartone  
Weight of carton  
Poids du carton  
вес картонной коробки



Cartuccia  
Cartridge  
Cartouche  
картридж



Articoli con flessibile con attacco da 1/2".  
Item with 1/2" flex hose  
Article avec flexible 1/2".  
Изделия со шлангом 1/2"



Vitone  
Head work  
Tête  
копер



OZ



CN



NP



OR



ZZ



RR



OO



AA

Finiture / Finishings / Finitions / Покрытие

CR Cromo Chrome	NN Nero opaco Mat black	BB Bianco opaco Mat white	TT Tuscany Tuscany
OZ Oro opaco spazzolato Brushed gold	CN Cromo nero Black chrome	NP Nichel opaco spazzolato Brushed nickel	OR Oro rosa Rose gold
ZZ Vecchio bronzo Old bronze	RR Vecchio rame Old copper	OO Oro Gold	AA Acciaio Steel
GS Granito sabbia Granite sand	GN Granito nero Granite black	C1 Caron1 Caron1	C3 Caron 3 Caron 3
TC Terra di Francia Terra di Francia	CC Cappuccino Cappuccino	CO Cromo / oro Chrome / gold	BC Bianco / cromo White / chrome
BO Bianco / oro White / gold			



GS



GN



C1



C3



TC



CC



# News

10 Kevon NN

# Contemporary program

18 XS  
28 XS Vip  
38 XS Sky

# Contract program

48 Kevon Chic  
54 Kyma  
60 XO  
64 Kruno  
68 Nexus  
74 Max  
80 Planet  
86 Class  
90 Mistral  
96 Classic Line  
106 Astro  
112 Termoty / X-Termo

# Retró program

118 Margot Sky  
128 Jafar Sky  
134 Imperiale Black  
140 Imperiale Sky  
146 Coloniale Black  
156 Coloniale Sky  
166 Gioielli  
176 Gioielli Sky  
186 Venere Sky  
194 XT Sky  
  
204 Kitchen

# Kevon

---

Contract  
program

Finitura / finishing / finition / Покрытие

NN  
Nero opaco  
Mat black



81 NN 8120 01

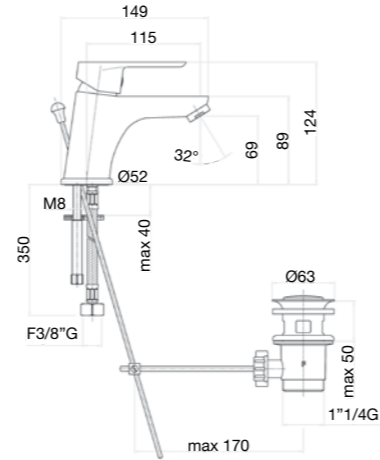


Miscelatore lavabo, scarico automatico 1"1/4, flex cm 35 3/8"F.

One hole basin mixer, 1"1/4 pop up waste, flex cm 35 3/8"F.

Mitigeur lavabo, vidage automatique 1"1/4, flexibles cm 35 3/8"F.

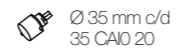
Смеситель для умывальника, донный клапан 1"1/4, гибкая подводка 35 см 3/8"F.



Finitura / finishing / finition / Покрытие

NN

€ 108,00



1/2 81 NN 8120 02

18,5 kg box pcs. 10

81 NN 7527



Miscelatore lavabo a muro.

Wall basin mixer.

Mitigeur lavabo mural.

Смеситель для умывальника, скрытый монтаж.



NN

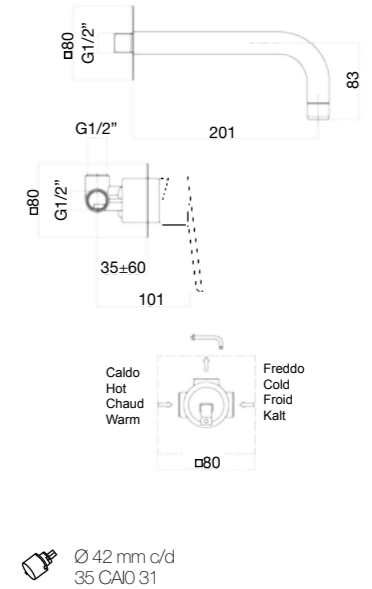
€ 194,00

12,1 kg box pcs. 10

Finitura / finishing / finition / Покрытие

NN

€ 194,00



81 NN 8123 01

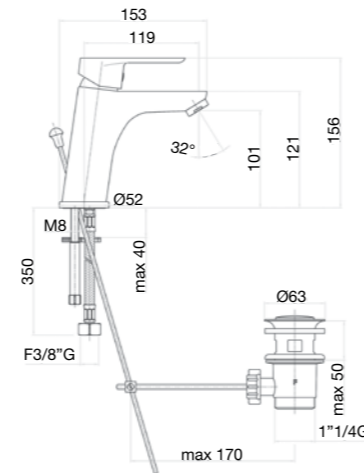


Miscelatore lavabo, scarico automatico 1"1/4, flex cm 35 3/8"F.

One hole basin mixer, 1"1/4 pop up waste, flex cm 35 3/8"F.

Mitigeur lavabo, vidage automatique 1"1/4, flexibles cm 35 3/8"F.

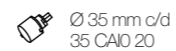
Смеситель для умывальника, донный клапан 1"1/4, гибкая подводка 35 см 3/8"F.



Finitura / finishing / finition / Покрытие

NN

€ 113,00



1/2 81 NN 8123 02

20,1 kg box pcs. 10

81 NN 8130 01

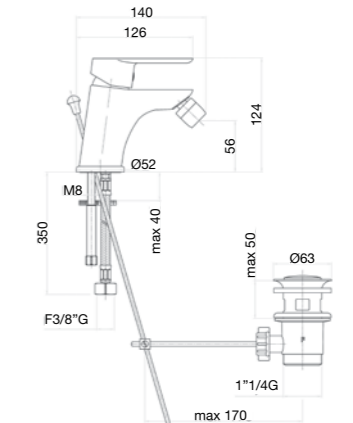


Miscelatore bidet scarico automatico 1"1/4, flex cm 35 3/8"F.

One hole bidet mixer, 1"1/4 automatic pop up waste, flex cm 35 3/8"F.

Mitigeur bidet, vidage automatique 1"1/4, flexibles cm 35 3/8"F.

Смеситель для биде, донный клапан 1"1/4, гибкая подводка 35 см 3/8"F.



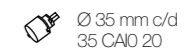
Finitura / finishing / finition / Покрытие

NN

€ 108,00

1/2 81 NN 8130 02

17,2 kg box pcs. 10



81 NN 8119 01

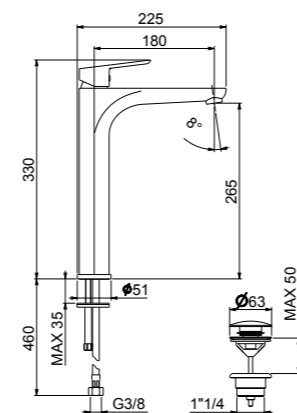


Miscelatore lavabo alto, bocca lunga, scarico click-clack, flex cm 70 3/8"F.

One hole basin mixer, high body, long spout, click-clack waste, flex cm 70 3/8"F.

Mitigeur lavabo haut, bec long, vidage click clack, flexibles cm 70 3/8"F.

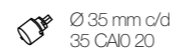
Смеситель для умывальника, донный клапан, гибкая подводка 70 см 3/8"F.



Finitura / finishing / finition / Покрытие

NN

€ 273,00



1/2 81 NN 8119 02

14,65 kg box pcs. 5

81 NN 8150

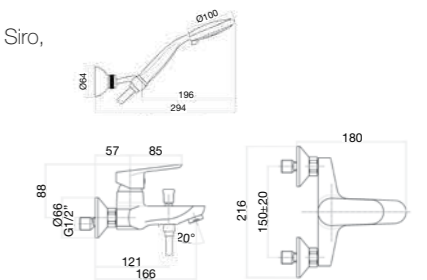


Miscelatore vasca con duplex, doccia idromassaggio Siro, flex satilux.

Bath mixer with shower set, Siro massage shower, satilux flex.

Mitigeur bain douche avec garniture, douche hydromassage Siro, flexible satilux.

Смеситель для ванны с душевым гарнитуром.



Finitura / finishing / finition / Покрытие

NN

€ 171,00

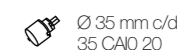
27,9 kg box pcs. 10

81 NN 8152  
Miscelatore vasca senza duplex.  
Bath mixer without shower set.  
Mitigeur bain douche sans garniture.  
Смеситель для ванны без душевого гарнитура.

Finitura / finishing / finition / Покрытие

NN

€ 112,00



81 NN 1509

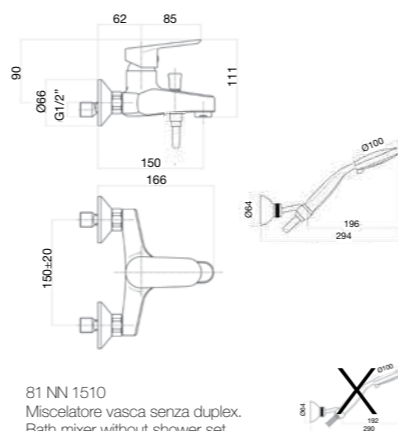


Miscelatore vasca con duplex, doccia Siro, flex satilux.  
 Bath mixer with shower set, Siro shower, flex satilux.  
 Mitigeur bain douche avec garniture, douche Siro, flexible satilux.  
 Смеситель для ванны с душевым гарнитуром.

Finitura / finishing / finition / Покрытие

NN € 159,00

22,1 kg  
box pcs. 10



81 NN 1510  
 Miscelatore vasca senza duplex.  
 Bath mixer without shower set.  
 Mitigeur bain douche sans garniture.  
 Смеситель для ванны без душевого гарнитура.

Finitura / finishing / finition / Покрытие

NN € 100,00

Ø 35 mm c/d  
35 CAIO 20

81 NN 7517

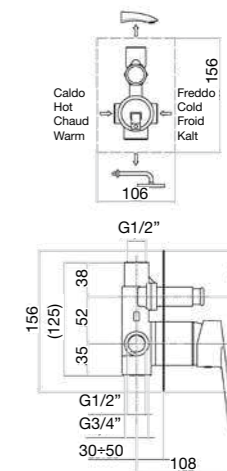


Miscelatore doccia incasso con deviatore, due uscite.  
 2-way built-in shower mixer with diverter.  
 Mitigeur douche à encastrer avec inverseur, deux sorties.  
 Смеситель для ванны с душевым гарнитуром.

Finitura / finishing / finition / Покрытие

NN € 113,00

14,4 kg  
box pcs. 10



Ø 42 mm s/d  
35 CAIO 31

81 NN 6511

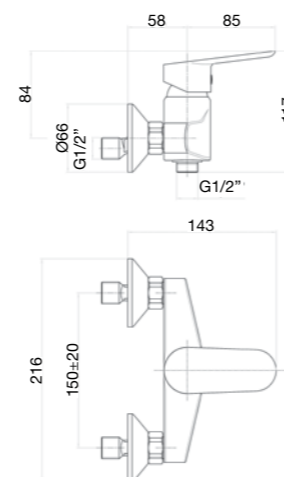


Miscelatore doccia esterno senza duplex.  
 External shower mixer without shower set.  
 Mitigeur douche extérieur sans garniture.  
 Смеситель для душа, внешний монтаж без душевого гарнитура.

Finitura / finishing / finition / Покрытие

NN € 87,00

12,8 kg  
box pcs. 10



Ø 35 mm c/d  
35 CAIO 20

81 NN 7501

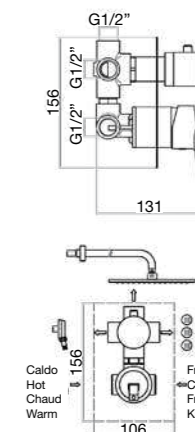


Miscelatore doccia incasso con deviatore, tre uscite.  
 3-way built-in shower mixer with diverter.  
 Mitigeur douche à encastrer avec inverseur, trois sorties.  
 Смеситель для душа, скрытый монтаж, три выхода.

Finitura / finishing / finition / Покрытие

NN € 178,00

18,8 kg  
box pcs. 10



Ø 42 mm s/d  
35 CAIO 31

81 NN 7515



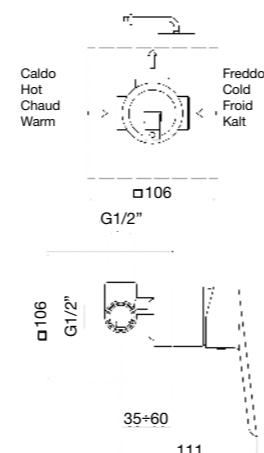
Miscelatore doccia incasso  
 Built-in shower mixer  
 Mitigeur douche à encastrer  
 Смеситель для душа, скрытый монтаж, верхний душ.

Finitura / finishing / finition / Покрытие

NN € 64,00

81 NN 7595  
 Piastra 80x80mm  
 Plate 80x80mm  
 NN € 64,00

9,8 kg  
box pcs. 10



Ø 42 mm s/d  
35 CAIO 31

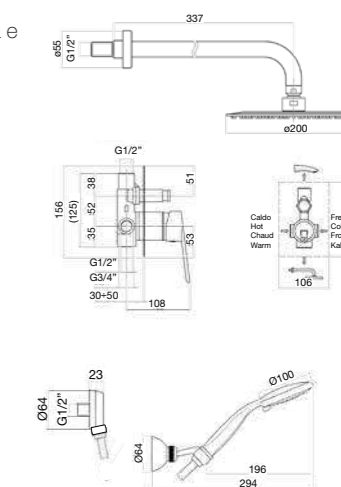
81 NN 7557



Miscelatore doccia incasso con deviatore, braccio doccia e soffione tondo in acciaio ultrasottile Ø 200 mm, presa d'acqua e duplex, doccia idromassaggio Siro, flex satilux.  
 Built-in shower mixer with diverter, shower arm and Ø 200 mm ultra-thin stainless steel shower head, intake of water, shower set, Siro massage shower, satilux flex.  
 Mitigeur douche à encastrer avec inverseur, bras, pomme douche ultrafin en inox Ø 200 mm, prise d'eau, garniture, douche hydromassage Siro, flexible satilux.  
 Смеситель для душа, скрытый монтаж, верхний/ручной душ, шланговое подключение с душевым гарнитуром.

Finitura / finishing / finition / Покрытие

NN € 397,00



Ø 42 mm s/d  
35 CAIO 31



30 NN 8784

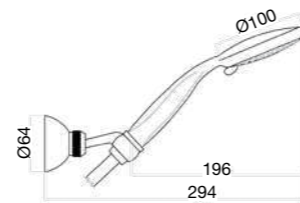


Kit supporto doccetta monogetto e flessibile satilux.

Shower set composed of holder, handshower and satilux flex.

Garniture de douche composée de support mural, douchette et flexible satilux.

Набор лейка ,шланг подвод воды.



Finitura / finishing / finition / Покрытие

NN

€ 59,00

6,5 kg box pcs. 10

30 N398 N5

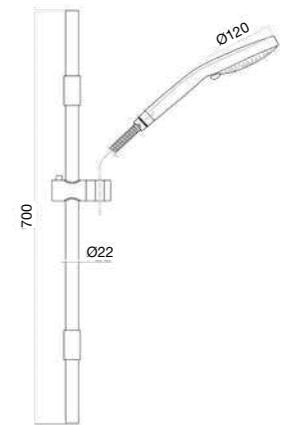


Set saliscendi 70-22 con doccia Silla 3g. testa d.12 cm flex satilux.

Sliding rail set 70-22 with Silla 3-jet shower Ø 12 cm, satilux flexible.

Kit barre de douche 70-22 avec douchette Silla 3 jets, tête Ø 12 cm, flexible satilux.

Душевая штанга 70-22 со скользящим лейкодержателем, 3-позиционной душевой лейкой Salia Ø12см и шлангом с двойным фальцеванием.



Finitura / finishing / finition / Покрытие

NN

€ 145,00

12 kg box pcs. 10

44 NN 0932

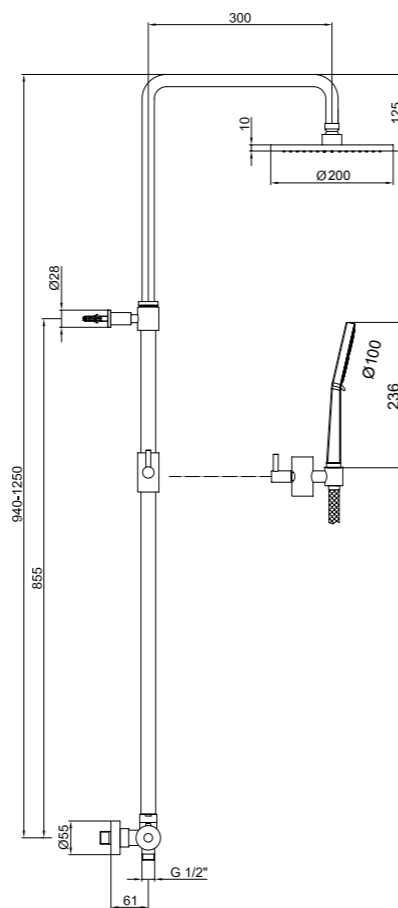
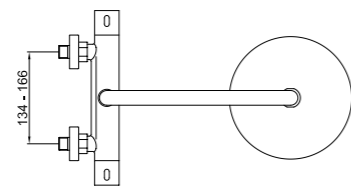


Miscelatore termostatico per doccia esterno, versione completa di colonna telescopica, soffione e doccetta monogetto.

Thermostatic shower mixer with telescopic column, shower head and monospray handshower.

Colonne de douche télescopique thermostatique avec pomme de douche et douchette monojet.

Термостат для душа , внешний монтаж, верхний душ, ручной душ.



Finitura / finishing / finition / Покрытие

NN

€ 740,00

10 kg box pcs. 1

30 NN 8786

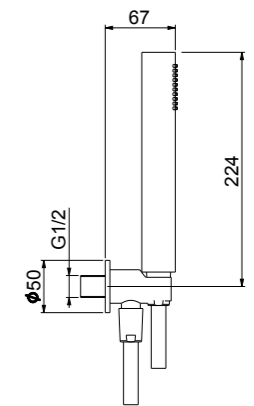


Kit supporto doccetta monogetto e flessibile satilux con presa acqua.

Shower set composed of holder, handshower, satilux flex and intake of water.

Garniture de douche composée de support mural, douchette, flexible satilux et prise d'eau.

Набор лейка ,шланг подвод воды.



Finitura / finishing / finition / Покрытие

NN

€ 86,00

6,4 kg box pcs. 10

# XS

## Contemporary program

Finitura / finishing / finition / Покрытие

CR  
Cromo  
Chrome

AA  
Acciaio  
Steel



XS

71 CR 7719 01

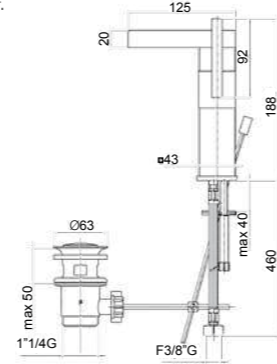


Miscelatore lavabo cascata, scarico automatico 1"1/4, flex cm 46 3/8"F.

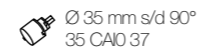
One hole basin mixer, waterfall, 1"1/4 pop up waste, flex cm 46 3/8"F.

Mitigeur lavabo cascade, vidage automatique 1"1/4, flexibles cm 46 3/8"F.

Смеситель для умывальника, донный клапан 1"1/4, гибкая подводка 46 см. водопад 3/8"F.



Finitura / finishing / finition / Покрытие



1/2 71 CR 7719 02

18,5 kg box pcs. 5

CR € 335,00  
AA € 469,00

71 CR 7748 01

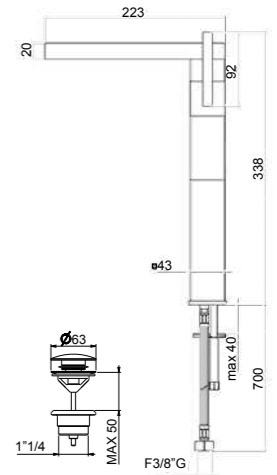


Miscelatore lavabo cascata, con bocca lunga e prolunga 15 cm, scarico click-clack spessore regolabile, flex cm 70 3/8"F.

One hole basin mixer, waterfall, long spout and cm 15 extension, click-clack pop up waste, flex cm 70 3/8"F.

Mitigeur lavabo cascade, bec long et rallonge 15 cm, vidage click-clack, flexibles cm 70 3/8"F.

Смеситель для умывальника, донный клапан, гибкая подводка 70 см. Водопад 3/8"F.



Finitura / finishing / finition / Покрытие



1/2 71 CR 7748 02

24 kg box pcs. 5

CR € 470,00  
AA € 659,00

71 CR 7709 01

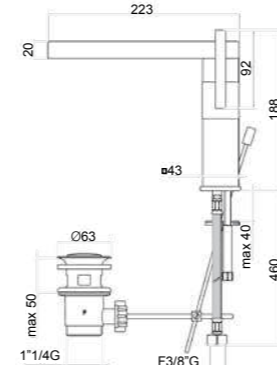


Miscelatore lavabo cascata, bocca lunga, scarico automatico 1"1/4, flex cm 46 3/8"F.

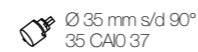
One hole basin mixer, waterfall, long spout, 1"1/4 automatic pop up waste, flex cm 46 3/8"F.

Mitigeur lavabo cascade, bec long, vidage automatique 1"1/4, flexibles cm 46 3/8"F.

Смеситель для умывальника, донный клапан 1"1/4, гибкая подводка 46 см. Водопад 3/8"F.



Finitura / finishing / finition / Покрытие



1/2 71 CR 7709 02

20 kg box pcs. 5

CR € 405,00  
AA € 567,00

71 CR 7705 01

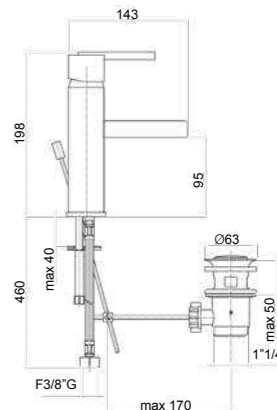


Miscelatore lavabo cascata, scarico automatico 1"1/4, flex cm 46 3/8"F.

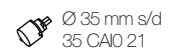
One hole basin mixer, waterfall, 1"1/4 pop up waste, flex cm 46 3/8"F.

Mitigeur lavabo cascade, vidage automatique 1"1/4, flexibles cm 46 3/8"F.

Смеситель для умывальника, донный клапан 1"1/4, гибкая подводка 46 см. водопад 3/8"F.



Finitura / finishing / finition / Покрытие



1/2 71 CR 7705 02

15,2 kg box pcs. 5

CR € 319,00  
AA € 446,00

71 CR 7704 01

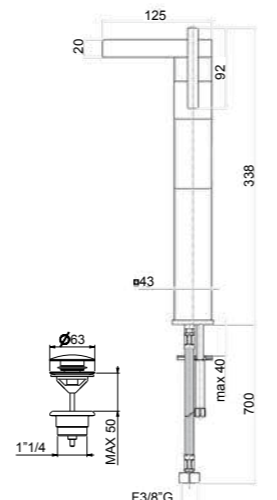


Miscelatore lavabo cascata, prolunga 15 cm, scarico click-clack spessore regolabile, flex cm 70 3/8"F.

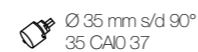
One hole basin mixer, waterfall, 15 cm extension, click-clack pop up waste, flex cm 70 3/8"F.

Mitigeur lavabo cascade, rallonge 15 cm, vidage click-clack, flexibles cm 70 3/8"F.

Смеситель для умывальника, донный клапан, гибкая подводка 70 см 3/8"F.



Finitura / finishing / finition / Покрытие



1/2 71 CR 7704 02

23 kg box pcs. 5

CR € 400,00  
AA € 560,00

71 CR 7701 01

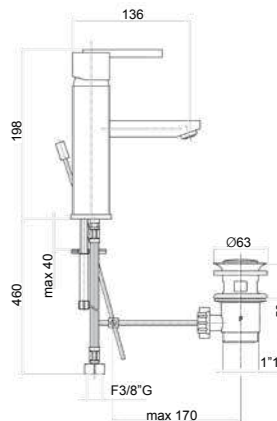


Miscelatore lavabo, scarico automatico 1"1/4, flex cm 46 3/8"F.

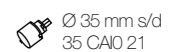
One hole basin mixer, 1"1/4 automatic pop up waste, flex cm 46 3/8"F.

Mitigeur lavabo, vidage automatique 1"1/4, flexibles cm 46 3/8"F.

Смеситель для умывальника, донный клапан 1"1/4, гибкая подводка 46 см 3/8"F.



Finitura / finishing / finition / Покрытие



1/2 71 CR 7701 02

15,35 kg box pcs. 5

CR € 251,00  
AA € 352,00

71 CR 7702 01

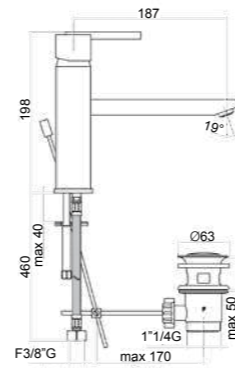


Miscelatore lavabo bocca lunga, scarico automatico 1"1/4, flex cm 46 3/8"F.

One hole basin mixer long spout, 1"1/4 automatic pop up waste, flex cm 46 3/8"F.

Mitigeur lavabo bec long, vidage automatique 1"1/4, flexibles cm 46 3/8"F.

Смеситель для умывальника, донный клапан 1"1/4, гибкая подводка 46 см 3/8"F.



Finitura / finishing / finition / Покрытие

1/2 71 CR 7702 02

21,3 kg box pcs. 5

CR € 350,00  
AA € 490,00

Ø 35 mm s/d 35 CAO 21

71 CR 7747 01

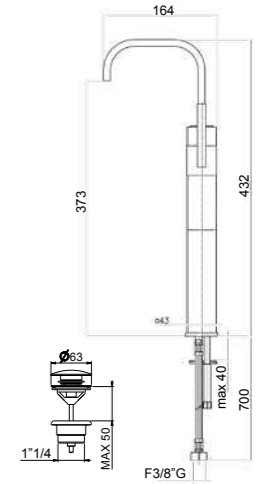


Miscelatore lavabo, prolunga cm 15, scarico click-clack spessore regolabile, flex cm 70 3/8"F.

One hole basin mixer, cm 15 extension, click-clack pop up waste, flex cm 70 3/8"F.

Mitigeur lavabo, rallonge cm 15, vidage click-clack, flexibles cm 70 3/8"F.

Смеситель для умывальника, донный клапан, гибкая подводка 70 см. Водопад 3/8"F.



Finitura / finishing / finition / Покрытие

1/2 71 CR 7747 02

20,9 kg box pcs. 5

CR € 376,00  
AA € 526,00

Ø 35 mm s/d 90° 35 CAO 37

71 CR 7746 01

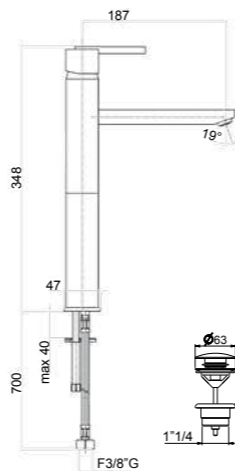


Miscelatore lavabo bocca lunga e prolunga cm 15, scarico click-clack spessore regolabile, flex cm 70 3/8"F.

One hole basin mixer long spout and cm 15 extension, click-clack pop up waste, flex cm 70 3/8"F.

Mitigeur lavabo bec long et rallonge cm 15, vidage click-clack, flexibles cm 70 3/8"F.

Смеситель для умывальника, донный клапан, гибкая подводка 70 см 3/8"F.



Finitura / finishing / finition / Покрытие

1/2 71 CR 7746 02

24 kg box pcs. 5

CR € 415,00  
AA € 582,00

Ø 35 mm s/d 35 CAO 21

71 CR 7732 01

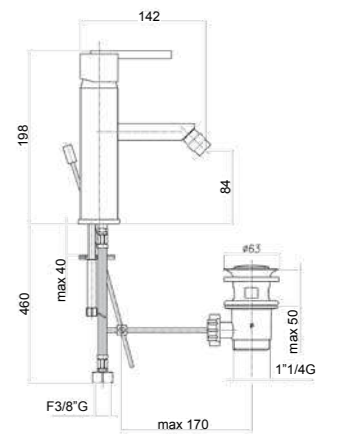


Miscelatore bidet, scarico automatico 1"1/4, flex cm 46 3/8"F.

One hole bidet mixer, 1"1/4 pop up waste, flex cm 46 3/8"F.

Mitigeur bidet, vidage automatique 1"1/4, flexibles cm 46 3/8"F.

Смеситель для биде, донный клапан 1"1/4, гибкая подводка 46 см 3/8"F.



Finitura / finishing / finition / Покрытие

1/2 71 CR 7732 02

15,3 kg box pcs. 5

CR € 251,00  
AA € 352,00

Ø 35 mm s/d 35 CAO 21

71 CR 7710 01

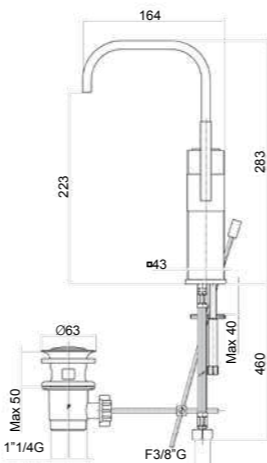


Miscelatore lavabo, scarico automatico 1"1/4, flex cm 46 3/8"F.

One hole basin mixer, 1"1/4 automatic pop up waste, flex cm 46 3/8"F.

Mitigeur lavabo, vidage automatique 1"1/4, flexibles cm 46 3/8"F.

Смеситель для умывальника, донный клапан 1"1/4, гибкая подводка 46 см 3/8"F.



Finitura / finishing / finition / Покрытие

1/2 71 CR 7710 02

16 kg box pcs. 5

CR € 311,00  
AA € 435,00

Ø 35 mm s/d 90° 35 CAO 37

71 CR 7721

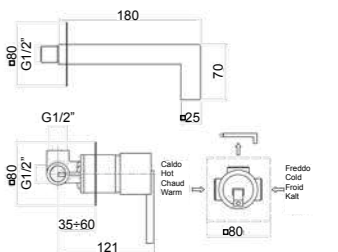


Miscelatore lavabo a muro.

Wall basin mixer.

Mitigeur lavabo mural.

Смеситель для умывальника, скрытый монтаж.



Finitura / finishing / finition / Покрытие

38,3 kg box pcs. 20

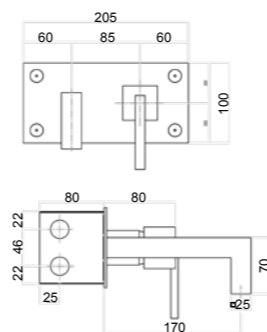
CR € 214,00  
AA € 300,00

Ø 42 mm s/d 35 CAO 31

71 CR 7724



Miscelatore lavabo a muro.  
Wall basin mixer.  
Mitigeur lavabo mural.  
Смеситель для умывальника, скрытый монтаж.



Finitura / finishing / finition / Покрытие

CR € 303,00  
AA € 424,00

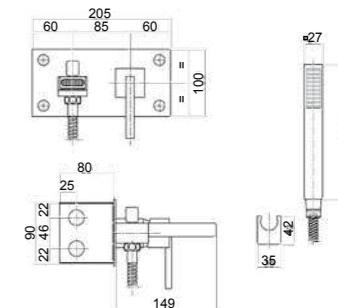
9 kg  
box pcs. 5

Ø 35 mm s/d  
35 CAIO 21

71 CR 7760



Miscelatore vasca cascata incasso con duplex.  
Built-in bath mixer waterfall with shower set.  
Mitigeur bain douche à encastrer cascade avec garniture.  
Смеситель для ванны с душевым гарнитуром водопад.



Finitura / finishing / finition / Покрытие

CR € 387,00  
AA € 658,00

18 kg  
box pcs. 5

71 CR 7761  
Miscelatore vasca senza duplex.  
Bath mixer without shower set.  
Mitigeur bain douche sans garniture.  
Смеситель для ванны без душевого гарнитура.

Finitura / finishing / finition / Покрытие

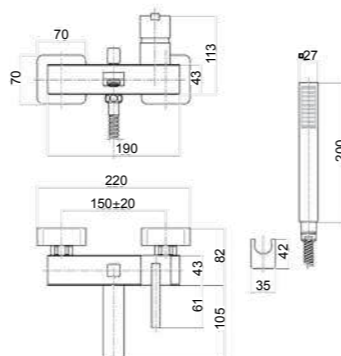
CR € 364,00  
AA € 523,00

Ø 35 mm s/d  
35 CAIO 21

71 CR 7752



Miscelatore vasca esterno con duplex.  
External bath mixer with shower set.  
Mitigeur bain douche extérieur avec garniture.  
Смеситель для ванны с душевым гарнитуром водопад.



Finitura / finishing / finition / Покрытие

CR € 341,00  
AA € 580,00

21 kg  
box pcs. 5

71 CR 7753  
Miscelatore vasca senza duplex.  
Bath mixer without shower set.  
Mitigeur bain douche sans garniture.  
Смеситель для ванны без душевого гарнитура.

Finitura / finishing / finition / Покрытие

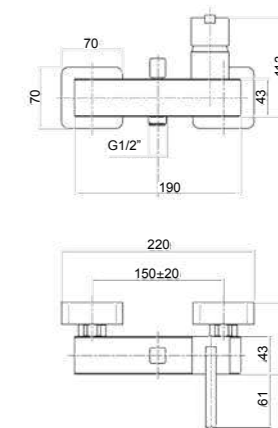
CR € 318,00  
AA € 445,00

Ø 35 mm s/d  
35 CAIO 21

71 CR 7770



Miscelatore doccia esterno senza duplex.  
External shower mixer without shower set.  
Mitigeur douche extérieur sans garniture.  
Смеситель для душа, внешний монтаж без душевого гарнитура.



Finitura / finishing / finition / Покрытие

CR € 231,00  
AA € 323,00

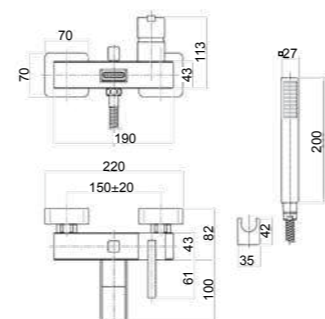
21,75 kg  
box pcs. 5

Ø 35 mm s/d  
35 CAIO 21

71 CR 7755



Miscelatore vasca cascata esterno con duplex.  
External bath mixer waterfall with shower set.  
Mitigeur bain douche cascade extérieur avec garniture.  
Смеситель для ванны с душевым гарнитуром водопад.



Finitura / finishing / finition / Покрытие

CR € 411,00  
AA € 699,00

22 kg  
box pcs. 5

71 CR 7756  
Miscelatore vasca senza duplex.  
Bath mixer without shower set.  
Mitigeur bain douche sans garniture.  
Смеситель для ванны без душевого гарнитура.

Finitura / finishing / finition / Покрытие

CR € 388,00  
AA € 564,00

Ø 35 mm s/d  
35 CAIO 21

30 CR 8796



Supporto doccia monogetto e flessibile doppia aggraffatura.  
Shower set composed of holder, monospray handshower and double seam flex hose.  
Garniture de douche composée de support mural, douchette mono-jet et flexible double agrafage.  
Набор лейка ,шланг подвод воды.



Finitura / finishing / finition / Покрытие

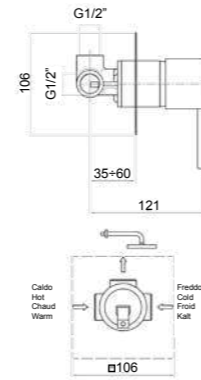
CR € 23,00  
AA € 135,00

6 kg  
box pcs. 10

71 CR 7515



Miscelatore doccia incasso.  
Built-in shower mixer.  
Mitigeur douche à encastrer.  
Смеситель для душа, скрытый монтаж



Ø 42 mm s/d  
35 CA10 31

71 CR 7595  
Plastra 80x80mm  
Plate 80x80mm  
CR € 115,00  
AA € 161,00

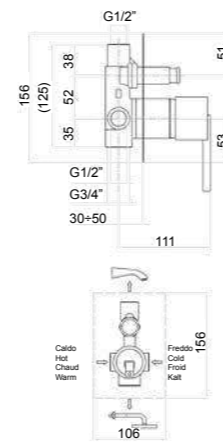
Finitura / finishing / finition / Покрытие  
CR € 115,00  
AA € 161,00

13 kg  
box pcs. 10

71 CR 7517



Miscelatore doccia incasso con deviatore, due uscite.  
2-way built-in shower mixer with diverter.  
Mitigeur douche à encastrer avec inverseur, deux sorties.  
Смеситель для душа, скрытый монтаж.



Ø 42 mm s/d  
35 CA10 31

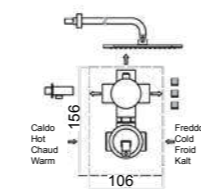
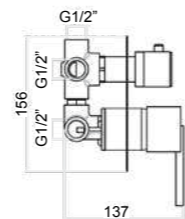
17 kg  
box pcs. 10

Finitura / finishing / finition / Покрытие  
CR € 164,00  
AA € 229,00

71 CR 7501



Miscelatore doccia incasso con deviatore, tre uscite.  
3-way built-in shower mixer with diverter.  
Mitigeur douche à encastrer avec inverseur, trois sorties.  
Смеситель для душа, скрытый монтаж, три выхода.



Ø 42 mm s/d  
35 CA10 31

20 kg  
box pcs. 10

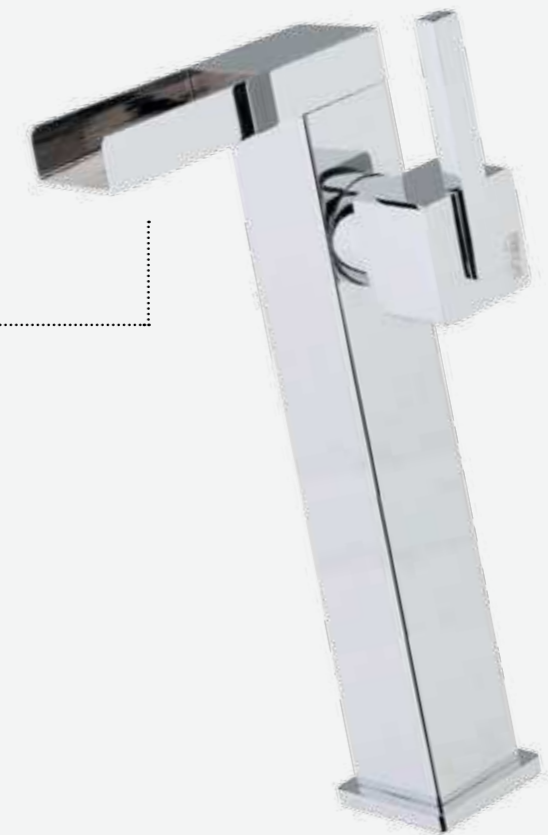
Finitura / finishing / finition / Покрытие  
CR € 229,00  
AA € 321,00

XS

XS



71 CR 7701



71 CR 7718



71 CR 7515



71 CR 7724

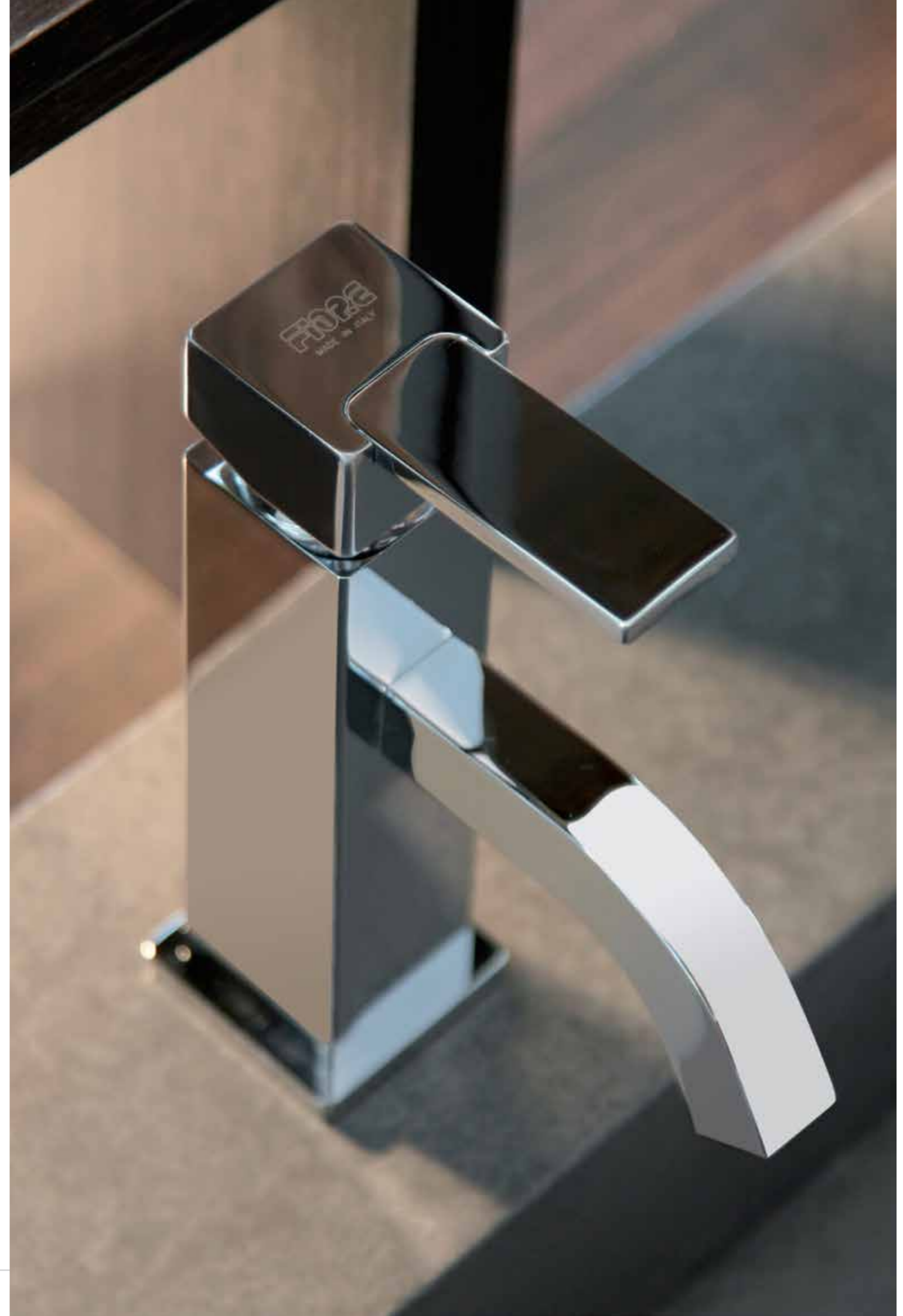
# XS Vip

Contemporary  
program

Finitura / finishing / finition / Покрытие

CR  
Cromo  
Chrome

AA  
Acciaio  
Steel



79 CR 7719 01

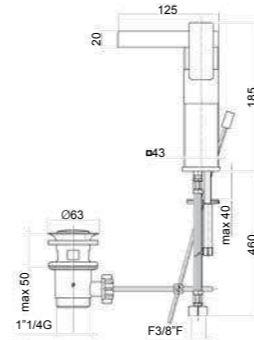


Miscelatore lavabo cascata, scarico automatico 1"1/4, flex cm 46 3/8"F.

One hole basin mixer, waterfall, 1"1/4 pop up waste, flex cm 46 3/8"F.

Mitigeur lavabo cascade, vidage automatique 1"1/4, flexibles cm 46 3/8"F.

Смеситель для умывальника, донный клапан 1"1/4, гибкая подводка 46 см. водопад 3/8"F.



Finitura / finishing / finition / Покрытие

1/2 79 CR 7719 02

18,8 kg  
box pcs. 5

CR € 350,00  
AA € 490,00

Ø 35 mm s/d 90°  
35 CA10 37

79 CR 7748 01

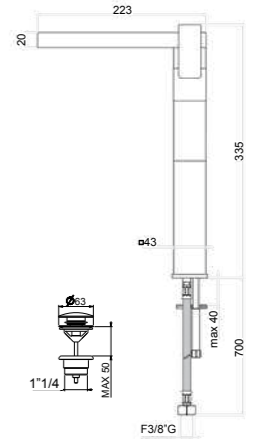


Miscelatore lavabo cascata, con bocca lunga e prolunga 15 cm, scarico click-clack spessore regolabile, flex cm 70 3/8"F.

One hole basin mixer, waterfall, long spout and cm 15 extension, click-clack pop up waste, flex cm 70 3/8"F.

Mitigeur lavabo cascade, bec long et rallonge 15 cm, vidage click-clack, flexibles cm 70 3/8"F.

Смеситель для умывальника, донный клапан, гибкая подводка 70 см. Водопад 3/8"F.



Finitura / finishing / finition / Покрытие

1/2 79 CR 7748 02

24,5 kg  
box pcs. 5

CR € 485,00  
AA € 679,00

Ø 35 mm s/d 90°  
35 CA10 37

79 CR 7709 01

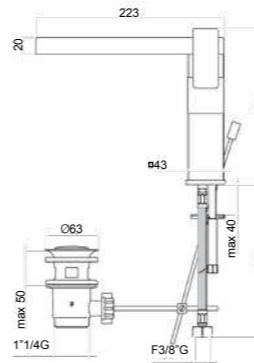


Miscelatore lavabo cascata, bocca lunga, scarico automatico 1"1/4, flex cm 46 3/8"F.

One hole basin mixer, waterfall, long spout, 1"1/4 automatic pop up waste, flex cm 46 3/8"F.

Mitigeur lavabo cascade, bec long, vidage automatique 1"1/4, flexibles cm 46 3/8"F.

Смеситель для умывальника, донный клапан 1"1/4, гибкая подводка 46 см. Водопад 3/8"F.



Finitura / finishing / finition / Покрытие

1/2 79 CR 7709 02

20 kg  
box pcs. 5

CR € 420,00  
AA € 588,00

Ø 35 mm s/d 90°  
35 CA10 37

79 CR 7705 01

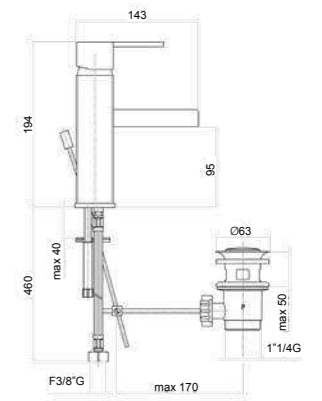


Miscelatore lavabo cascata, scarico automatico 1"1/4, flex cm 46 3/8"F.

One hole basin mixer, waterfall, 1"1/4 pop up waste, flex cm 46 3/8"F.

Mitigeur lavabo cascade, vidage automatique 1"1/4, flexibles cm 46 3/8"F.

Смеситель для умывальника, донный клапан 1"1/4, гибкая подводка 46 см. водопад 3/8"F.



Finitura / finishing / finition / Покрытие

1/2 79 CR 7705 02

15,35 kg  
box pcs. 5

CR € 334,00  
AA € 468,00

Ø 35 mm s/d  
35 CA10 21

79 CR 7704 01

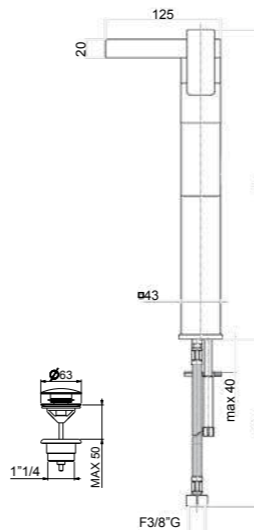


Miscelatore lavabo cascata, prolunga 15 cm, scarico click-clack spessore regolabile, flex cm 70 3/8"F.

One hole basin mixer, waterfall, 15 cm extension, click-clack pop up waste, flex cm 70 3/8"F.

Mitigeur lavabo cascade, rallonge 15 cm, vidage click-clack, flexibles cm 70 3/8"F.

Смеситель для умывальника, донный клапан, гибкая подводка 70 см 3/8"F.



Finitura / finishing / finition / Покрытие

1/2 79 CR 7704 02

23,25 kg  
box pcs. 5

CR € 415,00  
AA € 581,00

Ø 35 mm s/d 90°  
35 CA10 37

79 CR 7701 01

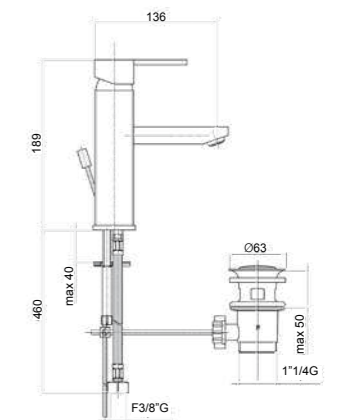


Miscelatore lavabo, scarico automatico 1"1/4, flex cm 46 3/8"F.

One hole basin mixer, 1"1/4 automatic pop up waste, flex cm 46 3/8"F.

Mitigeur lavabo, vidage automatique 1"1/4, flexibles cm 46 3/8"F.

Смеситель для умывальника, донный клапан 1"1/4, гибкая подводка 46 см 3/8"F.



Finitura / finishing / finition / Покрытие

1/2 79 CR 7701 02

15,5 kg  
box pcs. 5

CR € 266,00  
AA € 372,00

Ø 35 mm s/d  
35 CA10 21



79 CR 7702 01

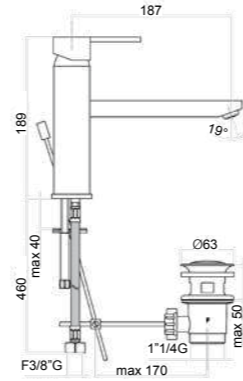


Miscelatore lavabo bocca lunga, scarico automatico 1"1/4, flex cm 46 3/8"F.

One hole basin mixer long spout, 1"1/4 automatic pop up waste, flex cm 46 3/8"F.

Mitigeur lavabo bec long, vidage automatique 1"1/4, flexibles cm 46 3/8"F.

Смеситель для умывальника, донный клапан 1"1/4, гибкая подводка 46 см 3/8"F.



Finitura / finishing / finition / Покрытие

1/2 79 CR 7702 02

21,45 kg  
box pcs. 5

CR € 365,00  
AA € 510,00

Ø 35 mm s/d  
35 CAO 21

79 CR 7747 01

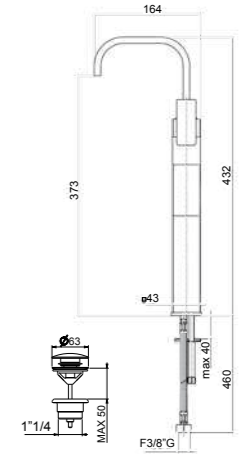


Miscelatore lavabo, prolunga cm 15, scarico click-clack spessore regolabile flex cm 70 3/8"F.

One hole basin mixer, cm 15 extension, click-clack pop up waste, flex cm 70 3/8"F.

Mitigeur lavabo, rallonge cm 15, vidage click-clack, flexibles cm 70 3/8"F.

Смеситель для умывальника, донный клапан, гибкая подводка 70 см. Водопад 3/8"F.



Finitura / finishing / finition / Покрытие

1/2 79 CR 7747 02

21,5 kg  
box pcs. 5

CR € 391,00  
AA € 547,00

Ø 35 mm s/d 90°  
35 CAO 37

79 CR 7746 01

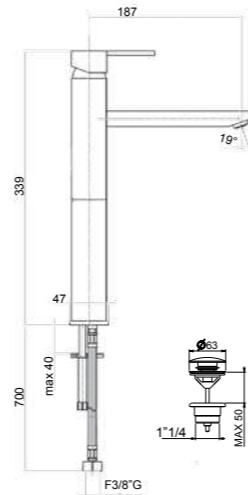


Miscelatore lavabo bocca lunga e prolunga cm 15, scarico click-clack spessore regolabile, flex cm 70 3/8"F.

One hole basin mixer long spout and cm 15 extension, click-clack pop up waste, flex cm 70 3/8"F.

Mitigeur lavabo bec long et rallonge cm 15, vidage click-clack, flexibles cm 70 3/8"F.

Смеситель для умывальника, донный клапан, гибкая подводка 70 см 3/8"F.



Finitura / finishing / finition / Покрытие

1/2 79 CR 7746 02

24,5 kg  
box pcs. 5

CR € 430,00  
AA € 602,00

Ø 35 mm s/d  
35 CAO 21

79 CR 7732 01

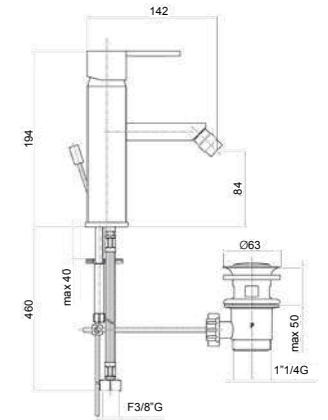


Miscelatore bidet, scarico automatico 1"1/4, flex cm 46 3/8"F.

One hole bidet mixer, 1"1/4 pop up waste, flex cm 46 3/8"F.

Mitigeur bidet, vidage automatique 1"1/4, flexibles cm 46 3/8"F.

Смеситель для биде, донный клапан 1"1/4, гибкая подводка 46 см 3/8"F.



Finitura / finishing / finition / Покрытие

1/2 79 CR 7732 02

15,45 kg  
box pcs. 5

CR € 266,00  
AA € 372,00

Ø 35 mm s/d  
35 CAO 21

79 CR 7710 01

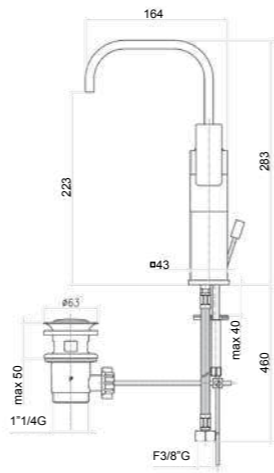


Miscelatore lavabo, scarico automatico 1"1/4, flex cm 46 3/8"F.

One hole basin mixer, 1"1/4 automatic pop up waste, flex cm 46 3/8"F.

Mitigeur lavabo, vidage automatique 1"1/4, flexibles cm 46 3/8"F.

Смеситель для умывальника, донный клапан 1"1/4, гибкая подводка 46 см 3/8"F.



Finitura / finishing / finition / Покрытие

1/2 79 CR 7710 02

16,15 kg  
box pcs. 5

CR € 326,00  
AA € 456,00

Ø 35 mm s/d 90°  
35 CAO 37

79 CR 7721

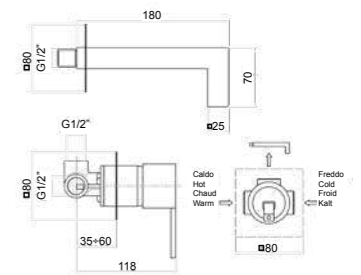


Miscelatore lavabo a muro.

Wall basin mixer.

Mitigeur lavabo mural.

Смеситель для умывальника, скрытый монтаж.



Finitura / finishing / finition / Покрытие

38,9 kg  
box pcs. 20

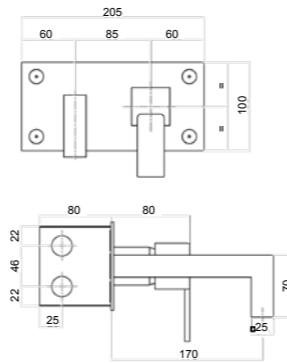
CR € 229,00  
AA € 321,00

Ø 42 mm s/d  
35 CAO 31

79 CR 7724



Miscelatore lavabo a muro.  
Wall basin mixer.  
Mitigeur lavabo mural.  
Смеситель для умывальника, скрытый монтаж.



Finitura / finishing / finition / Покрытие

CR € 318,00  
AA € 444,00

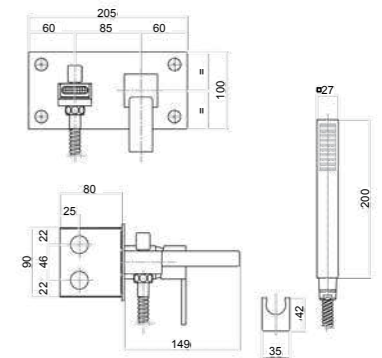
9,5 kg  
box pcs. 5

Ø 35 mm s/d  
35 CAIO 21

79 CR 7760



Miscelatore vasca cascata incasso con duplex.  
Built-in bath mixer waterfall with shower set.  
Mitigeur bain douche à encastrer cascade avec garniture.  
Смеситель для ванны с душевым гарнитуром водопад.



Finitura / finishing / finition / Покрытие

CR € 402,00  
AA € 683,00

18,25 kg  
box pcs. 5

79 CR 7761  
Miscelatore vasca senza duplex.  
Bath mixer without shower set.  
Mitigeur bain douche sans garniture.  
Смеситель для ванны без душевого гарнитура.

Finitura / finishing / finition / Покрытие

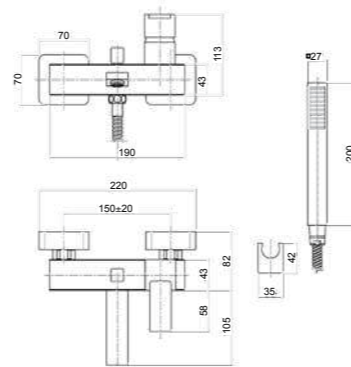
CR € 379,00  
AA € 548,00

Ø 35 mm s/d  
35 CAIO 21

79 CR 7752



Miscelatore vasca esterno con duplex.  
External bath mixer with shower set.  
Mitigeur bain douche extérieur avec garniture.  
Смеситель для ванны с душевым гарнитуром водопад.



Finitura / finishing / finition / Покрытие

CR € 356,00  
AA € 605,00

22,25 kg  
box pcs. 5

79 CR 7753  
Miscelatore vasca senza duplex.  
Bath mixer without shower set.  
Mitigeur bain douche sans garniture.  
Смеситель для ванны без душевого гарнитура.

Finitura / finishing / finition / Покрытие

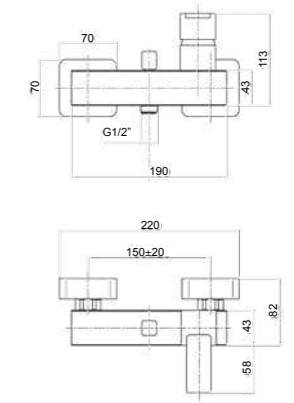
CR € 333,00  
AA € 470,00

Ø 35 mm s/d  
35 CAIO 21

79 CR 7770



Miscelatore doccia esterno senza duplex.  
External shower mixer without shower set.  
Mitigeur douche extérieur sans garniture.  
Смеситель для душа, внешний монтаж без душевого гарнитура.



Finitura / finishing / finition / Покрытие

CR € 246,00  
AA € 344,00

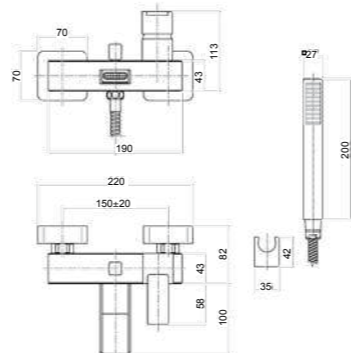
21,3 kg  
box pcs. 5

Ø 35 mm s/d  
35 CAIO 21

79 CR 7755



Miscelatore vasca cascata esterno con duplex.  
External bath mixer waterfall with shower set.  
Mitigeur bain douche cascade extérieur avec garniture.  
Смеситель для ванны с душевым гарнитуром водопад.



Finitura / finishing / finition / Покрытие

CR € 426,00  
AA € 724,00

22,1 kg  
box pcs. 5

79 CR 7756  
Miscelatore vasca senza duplex.  
Bath mixer without shower set.  
Mitigeur bain douche sans garniture.  
Смеситель для ванны без душевого гарнитура.

Finitura / finishing / finition / Покрытие

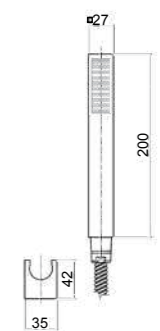
CR € 403,00  
AA € 589,00

Ø 35 mm s/d  
35 CAIO 21

30 CR 8796



Supporto doccetta monogetto e flessibile doppia aggraffatura.  
Shower set composed of holder, monospray handshower and double seam flex hose.  
Garniture de douche composée de support mural, douchette mono-jet et flexible double agrafage.  
Набор лейка ,шланг подвод воды.



Finitura / finishing / finition / Покрытие

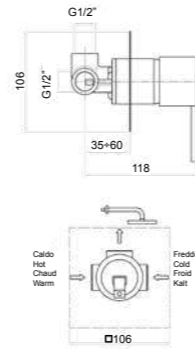
CR € 23,00  
AA € 135,00

6 kg  
box pcs. 10

79 CR 7515



Miscelatore doccia incasso.  
Built-in shower mixer.  
Mitigeur douche à encastrer.  
Смеситель для душа, скрытый монтаж



79 CR 7595  
Plastra 80x80mm  
Plate 80x80mm

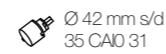
CR € 130,00  
AA € 181,00



12,3 kg  
box pcs. 10

Finitura / finishing / finition / Покрытие

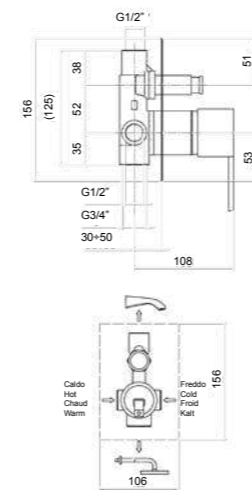
CR € 130,00  
AA € 181,00



79 CR 7517



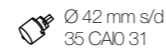
Miscelatore doccia incasso con deviatore, due uscite.  
2-way built-in shower mixer with diverter.  
Mitigeur douche à encastrer avec inverseur, deux sorties.  
Смеситель для душа, скрытый монтаж.



16 kg  
box pcs. 10

Finitura / finishing / finition / Покрытие

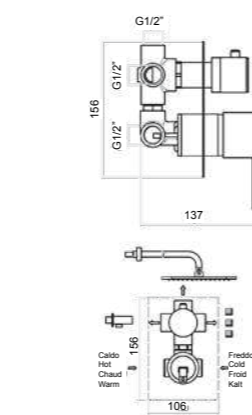
CR € 178,00  
AA € 249,00



79 CR 7501



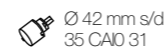
Miscelatore doccia incasso con deviatore, tre uscite.  
3-way built-in shower mixer with diverter.  
Mitigeur douche à encastrer avec inverseur, trois sorties.  
Смеситель для душа, скрытый монтаж, три выхода.



20 kg  
box pcs. 10

Finitura / finishing / finition / Покрытие

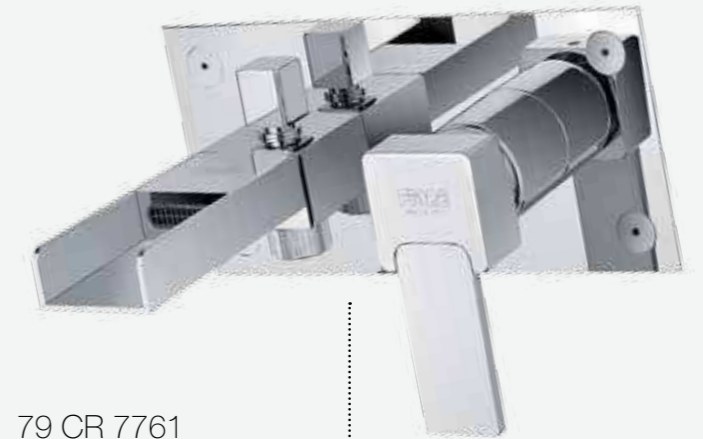
CR € 244,00  
AA € 341,00



# XS Vip



79 CR 7701



79 CR 7761



79 CR 7515



79 CR 7724

# XS Sky

Contemporary  
program

Finitura / finishing / finition / Покрытие

CR  
Cromo  
Chrome

AA  
Acciaio  
Steel



## 85 CR 7719 01

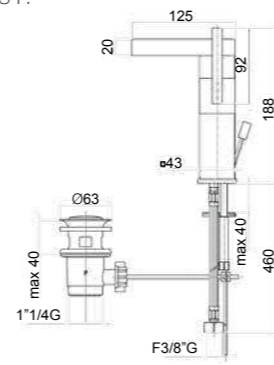


Miscelatore lavabo cascata, scarico automatico 1"1/4, flex cm 46 3/8"F.

One hole basin mixer, waterfall, 1"1/4 pop up waste, flex cm 46 3/8"F.

Mitigeur lavabo cascade, vidage automatique 1"1/4, flexibles cm 46 3/8"F.

Смеситель для умывальника, донный клапан 1"1/4, гибкая подводка 46 см. водопад 3/8"F.



Finitura / finishing / finition / Покрытие

1/2 85 CR 7719 02

18,5 kg  
box pcs. 5

CR € 350,00  
AA € 490,00

Ø 35 mm s/d 90°  
35 CA10 37

## 85 CR 7748 01

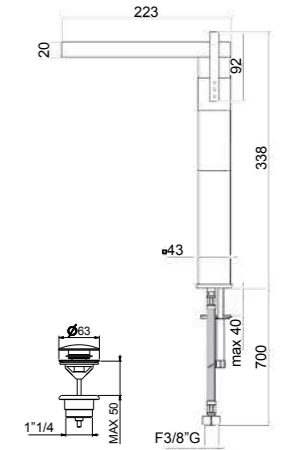


Miscelatore lavabo cascata, con bocca lunga e prolunga 15 cm, scarico click-clack spessore regolabile, flex cm 70 3/8"F.

One hole basin mixer, waterfall, long spout and cm 15 extension, click-clack pop up waste, flex cm 70 3/8"F.

Mitigeur lavabo cascade, bec long et rallonge 15 cm, vidage click-clack, flexibles cm 70 3/8"F.

Смеситель для умывальника, донный клапан, гибкая подводка 70 см. Водопад 3/8"F.



Finitura / finishing / finition / Покрытие

1/2 85 CR 7748 02

24 kg  
box pcs. 5

CR € 485,00  
AA € 679,00

Ø 35 mm s/d 90°  
35 CA10 37

## 85 CR 7709 01

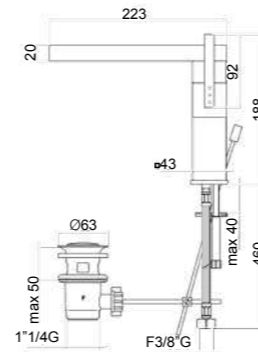


Miscelatore lavabo cascata, bocca lunga, scarico automatico 1"1/4, flex cm 46 3/8"F.

One hole basin mixer, waterfall, long spout, 1"1/4 automatic pop up waste, flex cm 46 3/8"F.

Mitigeur lavabo cascade, bec long, vidage automatique 1"1/4, flexibles cm 46 3/8"F.

Смеситель для умывальника, донный клапан 1"1/4, гибкая подводка 46 см. Водопад 3/8"F.



Finitura / finishing / finition / Покрытие

1/2 85 CR 7709 02

20 kg  
box pcs. 5

CR € 420,00  
AA € 588,00

Ø 35 mm s/d 90°  
35 CA10 37

## 85 CR 7705 01

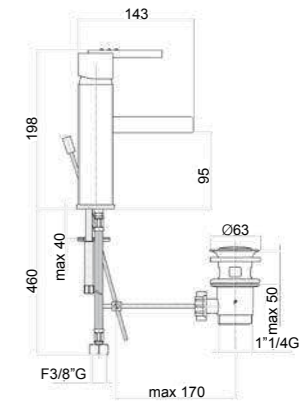


Miscelatore lavabo cascata, scarico automatico 1"1/4, flex cm 46 3/8"F.

One hole basin mixer, waterfall, 1"1/4 pop up waste, flex cm 46 3/8"F.

Mitigeur lavabo cascade, vidage automatique 1"1/4, flexibles cm 46 3/8"F.

Смеситель для умывальника, донный клапан 1"1/4, гибкая подводка 46 см. водопад 3/8"F.



Finitura / finishing / finition / Покрытие

1/2 85 CR 7705 02

15,2 kg  
box pcs. 5

CR € 334,00  
AA € 468,00

Ø 35 mm s/d  
35 CA10 21

## 85 CR 7704 01

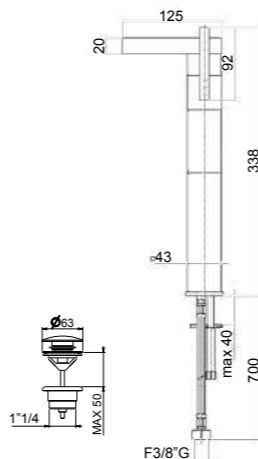


Miscelatore lavabo cascata, prolunga 15 cm, scarico click-clack spessore regolabile, flex cm 70 3/8"F.

One hole basin mixer, waterfall, 15 cm extension, click-clack pop up waste, flex cm 70 3/8"F.

Mitigeur lavabo cascade, rallonge 15 cm, vidage click-clack, flexibles cm 70 3/8"F.

Смеситель для умывальника, донный клапан, гибкая подводка 70 см 3/8"F.



Finitura / finishing / finition / Покрытие

1/2 85 CR 7704 02

23,1 kg  
box pcs. 5

CR € 415,00  
AA € 581,00

Ø 35 mm s/d 90°  
35 CA10 37

## 85 CR 7701 01

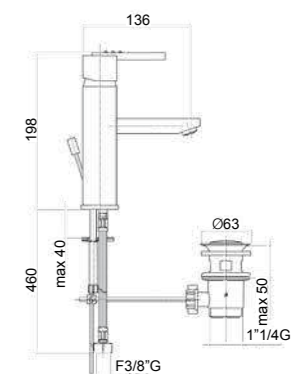


Miscelatore lavabo, scarico automatico 1"1/4, flex cm 46 3/8"F.

One hole basin mixer, 1"1/4 automatic pop up waste, flex cm 46 3/8"F.

Mitigeur lavabo, vidage automatique 1"1/4, flexibles cm 46 3/8"F.

Смеситель для умывальника, донный клапан 1"1/4, гибкая подводка 46 см 3/8"F.



Finitura / finishing / finition / Покрытие

1/2 85 CR 7701 02

15,35 kg  
box pcs. 5

CR € 266,00  
AA € 372,00

Ø 35 mm s/d  
35 CA10 21

85 CR 7702 01

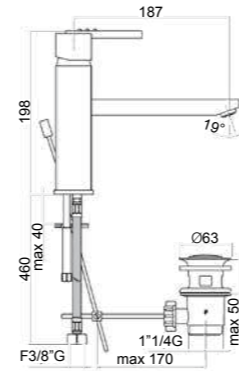


Miscelatore lavabo bocca lunga, scarico automatico 1"1/4, flex cm 46 3/8"F.

One hole basin mixer long spout, 1"1/4 automatic pop up waste, flex cm 46 3/8"F.

Mitigeur lavabo bec long, vidage automatique 1"1/4, flexibles cm 46 3/8"F.

Смеситель для умывальника, донный клапан 1"1/4, гибкая подводка 46 см 3/8"F.



Finitura / finishing / finition / Покрытие

1/2 85 CR 7702 02

21,3 kg box pcs. 5

CR € 365,00  
AA € 510,00

Ø 35 mm s/d 35 CA10 21

85 CR 7747 01

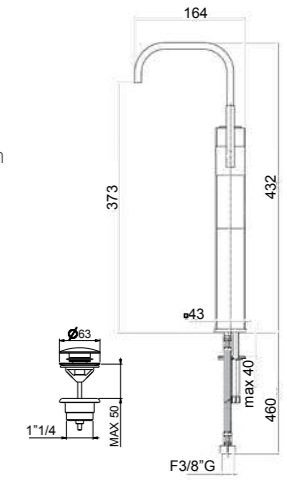


Miscelatore lavabo, prolunga cm 15, scarico click-clack spessore regolabile flex cm 70 3/8"F.

One hole basin mixer, cm 15 extension, click-clack pop up waste, flex cm 70 3/8"F.

Mitigeur lavabo, rallonge cm 15, vidage click-clack, flexibles cm 70 3/8"F.

Смеситель для умывальника, донный клапан, гибкая подводка 70 см. Водопад 3/8"F.



Finitura / finishing / finition / Покрытие

1/2 85 CR 7747 02

20,9 kg box pcs. 5

CR € 391,00  
AA € 547,00

Ø 35 mm s/d 90° 35 CA10 37

85 CR 7746 01

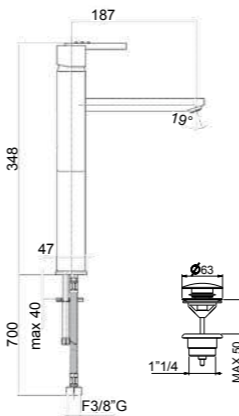


Miscelatore lavabo bocca lunga e prolunga cm 15, scarico click-clack spessore regolabile, flex cm 70 3/8"F.

One hole basin mixer long spout and cm 15 extension, click-clack pop up waste, flex cm 70 3/8"F.

Mitigeur lavabo bec long et rallonge cm 15, vidage click-clack, flexibles cm 70 3/8"F.

Смеситель для умывальника, донный клапан, гибкая подводка 70 см 3/8"F.



Finitura / finishing / finition / Покрытие

1/2 85 CR 7746 02

24 kg box pcs. 5

CR € 430,00  
AA € 602,00

Ø 35 mm s/d 35 CA10 21

85 CR 7732 01

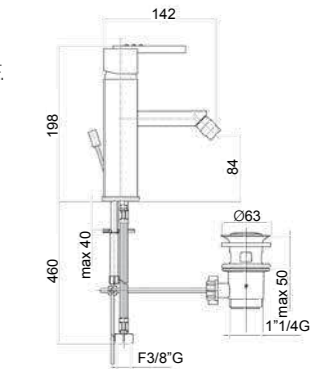


Miscelatore bidet, scarico automatico 1"1/4, flex cm 46 3/8"F.

One hole bidet mixer, 1"1/4 pop up waste, flex cm 46 3/8"F.

Mitigeur bidet, vidage automatique 1"1/4, flexibles cm 46 3/8"F.

Смеситель для биде, донный клапан 1"1/4, гибкая подводка 46 см 3/8"F.



Finitura / finishing / finition / Покрытие

1/2 85 CR 7732 02

15,3 kg box pcs. 5

CR € 266,00  
AA € 372,00

Ø 35 mm s/d 35 CA10 21

85 CR 7710 01

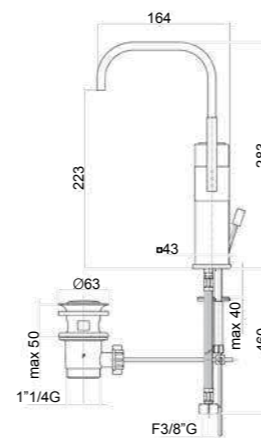


Miscelatore lavabo, scarico automatico 1"1/4, flex cm 46 3/8"F.

One hole basin mixer, 1"1/4 automatic pop up waste, flex cm 46 3/8"F.

Mitigeur lavabo, vidage automatique 1"1/4, flexibles cm 46 3/8"F.

Смеситель для умывальника, донный клапан 1"1/4, гибкая подводка 46 см 3/8"F.



Finitura / finishing / finition / Покрытие

1/2 85 CR 7710 02

16 kg box pcs. 5

CR € 326,00  
AA € 456,00

Ø 35 mm s/d 90° 35 CA10 37

85 CR 7721

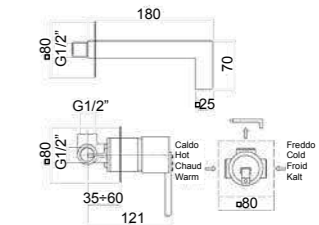


Miscelatore lavabo a muro.

Wall basin mixer.

Mitigeur lavabo mural.

Смеситель для умывальника, скрытый монтаж.



Finitura / finishing / finition / Покрытие

38,3 kg box pcs. 20

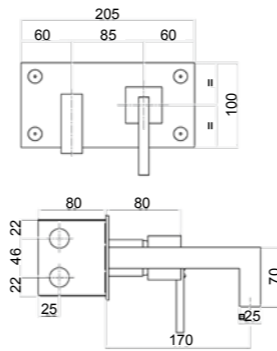
CR € 229,00  
AA € 321,00

Ø 42 mm s/d 35 CA10 31

85 CR 7724



Miscelatore lavabo a muro.  
Wall basin mixer.  
Mitigeur lavabo mural.  
Смеситель для умывальника, скрытый монтаж.



Finitura / finishing / finition / Покрытие

CR € 318,00  
AA € 444,00

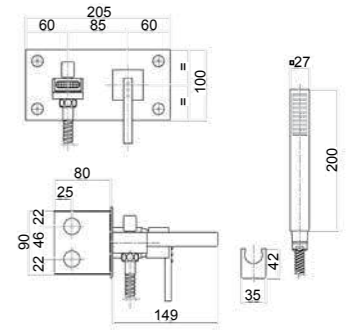
8,5 kg  
box pcs. 5

Ø 35 mm s/d  
35 CAIO 21

85 CR 7760



Miscelatore vasca cascata incasso con duplex.  
Built-in bath mixer waterfall with shower set.  
Mitigeur bain douche à encastrer cascade avec garniture.  
Смеситель для ванны с душевым гарнитуром водопад.



Finitura / finishing / finition / Покрытие

CR € 402,00  
AA € 683,00

18 kg  
box pcs. 5

85 CR 7761  
Miscelatore vasca senza duplex.  
Bath mixer without shower set.  
Mitigeur bain douche sans garniture.  
Смеситель для ванны без душевого гарнитура.

Finitura / finishing / finition / Покрытие

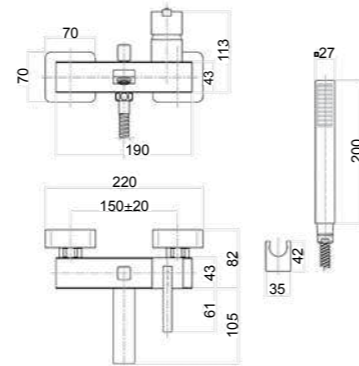
CR € 379,00  
AA € 548,00

Ø 35 mm s/d  
35 CAIO 21

85 CR 7752



Miscelatore vasca esterno con duplex.  
External bath mixer with shower set.  
Mitigeur bain douche extérieur avec garniture.  
Смеситель для ванны с душевым гарнитуром водопад.



Finitura / finishing / finition / Покрытие

CR € 356,00  
AA € 605,00

21 kg  
box pcs. 5

85 CR 7753  
Miscelatore vasca senza duplex.  
Bath mixer without shower set.  
Mitigeur bain douche sans garniture.  
Смеситель для ванны без душевого гарнитура.

Finitura / finishing / finition / Покрытие

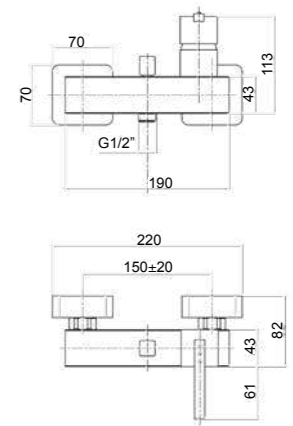
CR € 333,00  
AA € 470,00

Ø 35 mm s/d  
35 CAIO 21

85 CR 7770



Miscelatore doccia esterno senza duplex.  
External shower mixer without shower set.  
Mitigeur douche extérieur sans garniture.  
Смеситель для душа, внешний монтаж без душевого гарнитура.



Finitura / finishing / finition / Покрытие

CR € 246,00  
AA € 344,00

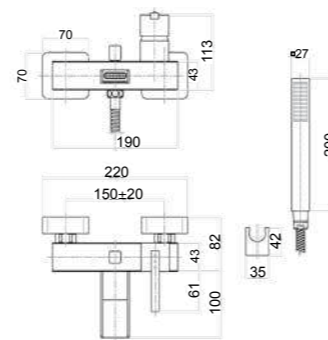
21,7 kg  
box pcs. 5

Ø 35 mm s/d  
35 CAIO 21

85 CR 7755



Miscelatore vasca cascata esterno con duplex.  
External bath mixer waterfall with shower set.  
Mitigeur bain douche cascade extérieur avec garniture.  
Смеситель для ванны с душевым гарнитуром водопад.



Finitura / finishing / finition / Покрытие

CR € 426,00  
AA € 724,00

22 kg  
box pcs. 5

85 CR 7756  
Miscelatore vasca senza duplex.  
Bath mixer without shower set.  
Mitigeur bain douche sans garniture.  
Смеситель для ванны без душевого гарнитура.

Finitura / finishing / finition / Покрытие

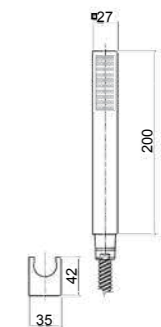
CR € 403,00  
AA € 589,00

Ø 35 mm s/d  
35 CAIO 21

30 CR 8796



Supporto doccetta monogetto e flessibile doppia aggraffatura.  
Shower set composed of holder, monospray handshower and double seam flex hose.  
Garniture de douche composée de support mural, douchette mono-jet et flexible double agrafage.  
Набор лейка ,шланг подвод воды.



Finitura / finishing / finition / Покрытие

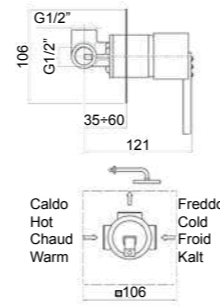
CR € 23,00  
AA € 135,00

6 kg  
box pcs. 10

85 CR 7515



Miscelatore doccia incasso.  
Built-in shower mixer.  
Mitigeur douche à encastrer.  
Смеситель для душа, скрытый монтаж



85 CR 7595  
Plastra 80x80mm  
Plate 80x80mm

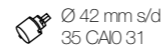
CR € 130,00  
AA € 181,00



13 kg  
box pcs. 10

Finitura / finishing / finition / Покрытие

CR € 130,00  
AA € 181,00

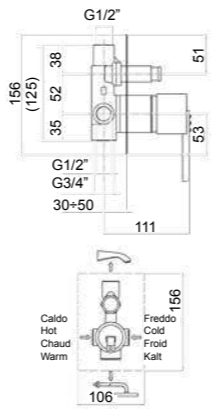


Ø 42 mm s/d  
35 CAIO 31

85 CR 7517



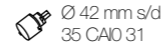
Miscelatore doccia incasso con deviatore, due uscite.  
2-way built-in shower mixer with diverter.  
Mitigeur douche à encastrer avec inverseur, deux sorties.  
Смеситель для душа, скрытый монтаж.



17 kg  
box pcs. 10

Finitura / finishing / finition / Покрытие

CR € 178,00  
AA € 249,00

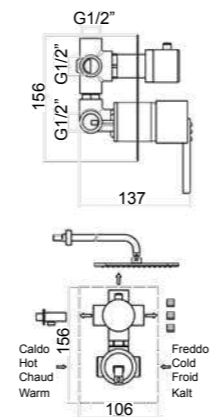


Ø 42 mm s/d  
35 CAIO 31

85 CR 7501



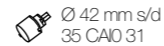
Miscelatore doccia incasso con deviatore, tre uscite.  
3-way built-in shower mixer with diverter.  
Mitigeur douche à encastrer avec inverseur, trois sorties.  
Смеситель для душа, скрытый монтаж, три выхода.



20 kg  
box pcs. 10

Finitura / finishing / finition / Покрытие

CR € 244,00  
AA € 341,00



Ø 42 mm s/d  
35 CAIO 31

# XS Sky



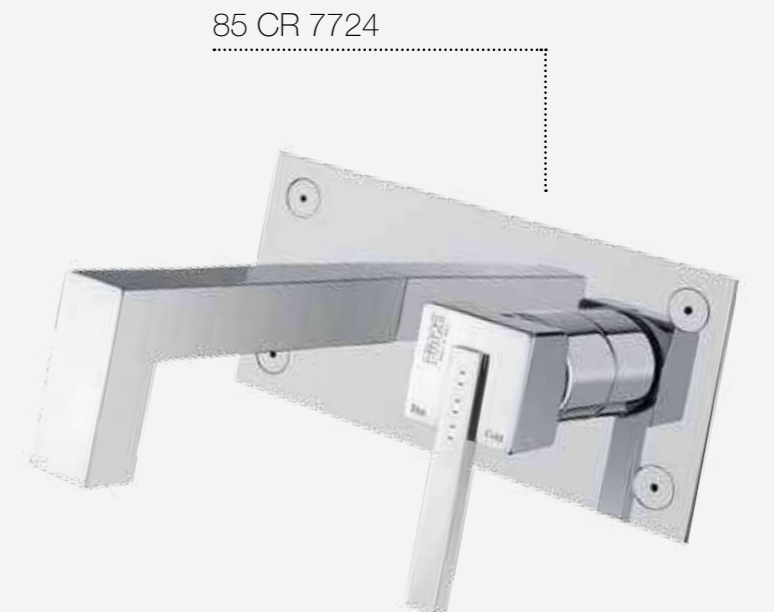
85 CR 7701



85 CR 7703



85 CR 7517



85 CR 7724



# Kevon Chic

## Contract program

Finitura / finishing / finition / Покрытие

BX Nero / Cromo Black / Chrome	WX Bianco / Cromo White / Chrome	OX Arancione / Cromo Orange / Chrome	YX Giallo / Cromo Yellow / Chrome
RX Rosso / Cromo Red / Chrome	TX Blu / Cromo Blue / Chrome	MX Marrone / Cromo Brown / Chrome	GX Grigio / Cromo Grey / Chrome



81 OX 8120 01

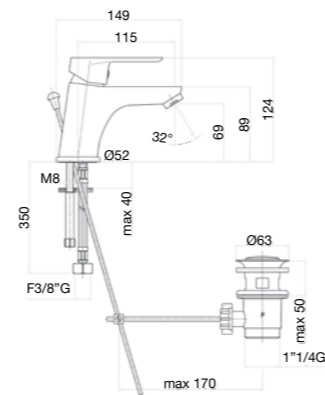


Miscelatore lavabo, scarico automatico 1"1/4, flex cm 35 3/8"F.

One hole basin mixer, 1"1/4 pop up waste, flex cm 35 3/8"F.

Mitigeur lavabo, vidage automatique 1"1/4, flexibles cm 35 3/8"F.

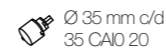
Смеситель для умывальника, донный клапан 1"1/4, гибкая подводка 35 см 3/8"F.



Finitura / finishing / finition / Покрытие

Tutti i colori  
All colors

€ 108,00



1/2 81 OX 8120 02

18,5 kg  
box pcs. 10

81 OX 7527

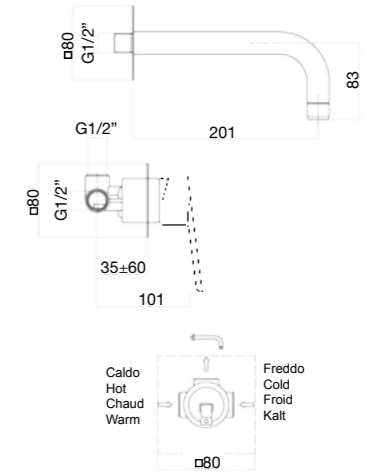


Miscelatore lavabo a muro.

Wall basin mixer.

Mitigeur lavabo mural.

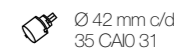
Смеситель для умывальника, скрытый монтаж.



Finitura / finishing / finition / Покрытие

Tutti i colori  
All colors

€ 194,00



81 OX 7547  
Plastre tonde da Ø80mm  
Round plate Ø80mm

Tutti i colori  
All colors

€ 194,00

12,1 kg  
box pcs. 10

81 OX 8123 01

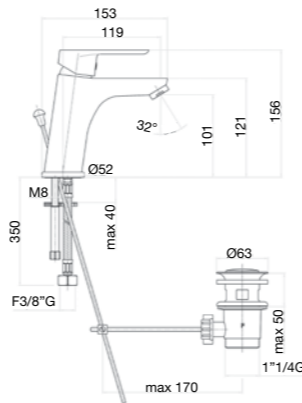


Miscelatore lavabo, scarico automatico 1"1/4, flex cm 35 3/8"F.

One hole basin mixer, 1"1/4 pop up waste, flex cm 35 3/8"F.

Mitigeur lavabo, vidage automatique 1"1/4, flexibles cm 35 3/8"F.

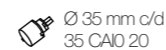
Смеситель для умывальника, донный клапан 1"1/4, гибкая подводка 35 см 3/8"F.



Finitura / finishing / finition / Покрытие

Tutti i colori  
All colors

€ 113,00



1/2 81 OX 8123 02

20,1 kg  
box pcs. 10

81 OX 8130 01

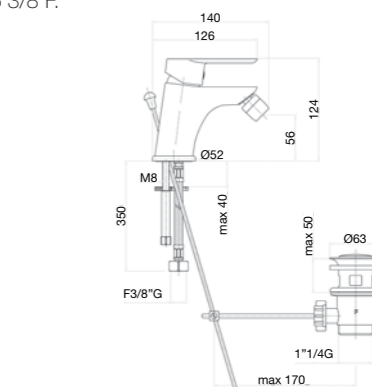


Miscelatore bidet scarico automatico 1"1/4, flex cm 35 3/8"F.

One hole bidet mixer, 1"1/4 automatic pop up waste, flex cm 35 3/8"F.

Mitigeur bidet, vidage automatique 1"1/4, flexibles cm 35 3/8"F.

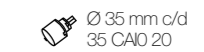
Смеситель для биде, донный клапан 1"1/4, гибкая подводка 35 см 3/8"F.



Finitura / finishing / finition / Покрытие

Tutti i colori  
All colors

€ 108,00



81 OX 8130 02

17,2 kg  
box pcs. 10

81 OX 8119 01

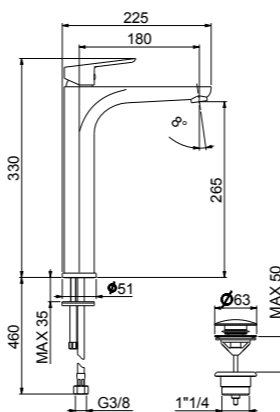


Miscelatore lavabo, bocca lunga, scarico click-clack spessore regolabile, flex cm 70 3/8"F.

One hole basin mixer, long spout, click-clack waste, flex cm 70 3/8"F.

Mitigeur lavabo, bec long, vidage click-clack, flexibles cm 70 3/8"F.

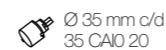
Смеситель для умывальника, донный клапан, гибкая подводка 70 см 3/8"F.



Finitura / finishing / finition / Покрытие

Tutti i colori  
All colors

€ 273,00



1/2 81 OX 8119 02

14,65 kg  
box pcs. 5

81 OX 8150

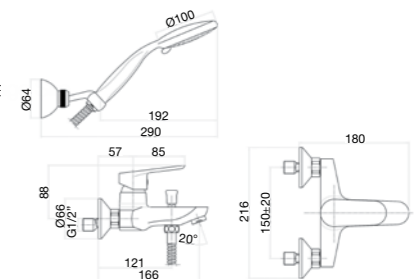


Miscelatore vasca con duplex, doccia idromassaggio Siro.

Bath mixer with shower set, Siro massage shower.

Mitigeur bain douche avec garniture, douche hydromass:

Смеситель для ванны с душевым гарнитуром



Finitura / finishing / finition / Покрытие

Tutti i colori  
All colors

€ 138,00



81 OX 8152  
Miscelatore vasca senza duplex.  
Bath mixer without shower set.  
Mitigeur bain douche sans garniture.  
Смеситель для ванны без душевого гарнитура.

Finitura / finishing / finition / Покрытие  
CR € 112,00

27,9 kg  
box pcs. 10

81 OX 6511

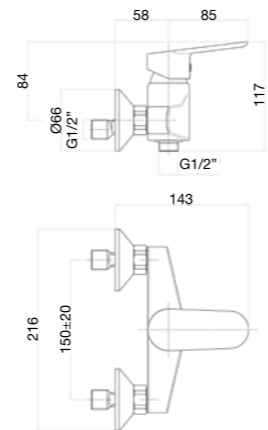


Miscelatore doccia esterno senza duplex.

External shower mixer without shower set.

Mitigeur douche extérieur sans garniture.

Смеситель для душа, внешний монтаж без душевого гарнитура.



Finitura / finishing / finition / Покрытие

Tutti i colori  
All colors

€ 87,00

12,8 kg  
box pcs. 10

Ø 35 mm c/d  
35 CA10 20

81 OX 7501

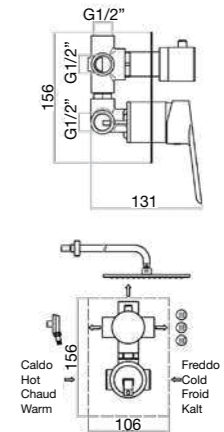


Miscelatore doccia incasso con deviatore, tre uscite.

3-way built-in shower mixer with diverter.

Mitigeur douche à encastrer avec inverseur, trois sorties.

Смеситель для душа, скрытый монтаж, три выхода.



Finitura / finishing / finition / Покрытие

Tutti i colori  
All colors

€ 178,00

18,8 kg  
box pcs. 10

Ø 42 mm s/d  
35 CA10 31

81 OX 7515

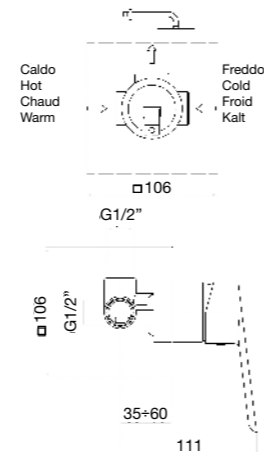


Miscelatore doccia incasso.

Built-in shower mixer.

Mitigeur douche à encastrer.

Смеситель для душа, скрытый монтаж.



Finitura / finishing / finition / Покрытие

Tutti i colori  
All colors

€ 64,00

81 OX 7595  
Piastra 80x80mm  
Plate 80x80mm

Tutti i colori  
All colors

€ 64,00

10 kg  
box pcs. 10

Ø 42 mm s/d  
35 CA10 31

30 CR 8795

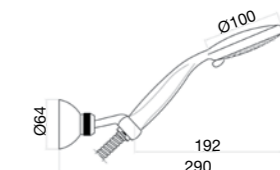


Kit supporto doccetta monogetto e flessibile doppia aggraffatura.

Shower set composed of holder, monospray handshower and double seam flex.

Garniture de douche composée de support mural, douchette mono-jet et flexible double agrafage.

Набор лейка ,шланг подвод воды.



Finitura / finishing / finition / Покрытие

CR

€ 26,00

6,5 kg  
box pcs. 10

81 OX 7517

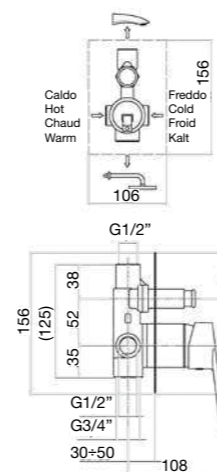


Miscelatore doccia incasso con deviatore, due uscite.

2-way built-in shower mixer with diverter.

Mitigeur douche à encastrer avec inverseur, deux sorties.

Смеситель для ванны, скрытый монтаж



Finitura / finishing / finition / Покрытие

Tutti i colori  
All colors

€ 113,00

13,8 kg  
box pcs. 10

Ø 42 mm s/d  
35 CA10 31

# Kyma

Contract  
program

Finitura / finishing / finition / Покрытие

CR  
Cromo  
Chrome

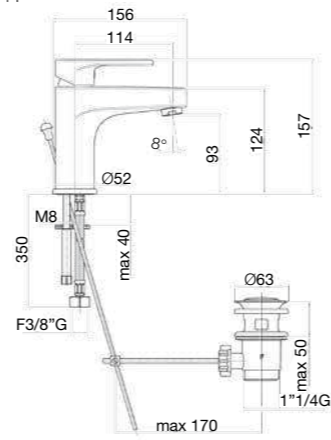


Kyma

75 CR 6520 01



Miscelatore lavabo, scarico automatico 1"1/4, flex cm 35 3/8"F.  
 One hole basin mixer, 1"1/4 automatic pop up waste, flex cm 35 3/8"F.  
 Mitigeur lavabo, vidage automatique 1"1/4, flexibles cm 35 3/8"F.  
 Смеситель для умывальника, донный клапан 1"1/4, гибкая подводка 35 см 3/8"F.



Finitura / finishing / finition / Покрытие

CR € 90,00

1/2 75 CR 6520 02

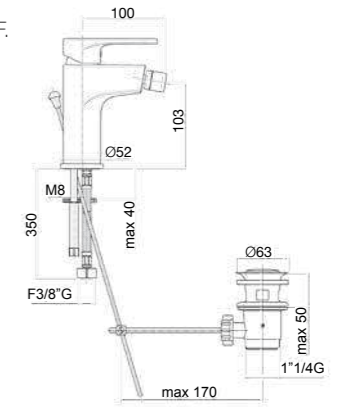
21,8 kg  
box pcs. 10

Ø 35 mm c/d  
35 CA10 20

75 CR 6530 01



Miscelatore bidet, scarico automatico 1"1/4, flex cm 35 3/8"F.  
 One hole bidet mixer, 1"1/4 automatic pop up waste, flex cm 35 3/8"F.  
 Mitigeur bidet, vidage automatique 1"1/4, flexibles cm 35 3/8"F.  
 Смеситель для биде, донный клапан 1"1/4, гибкая подводка 35 см 3/8"F.



Finitura / finishing / finition / Покрытие

CR € 90,00

1/2 75 CR 6530 02

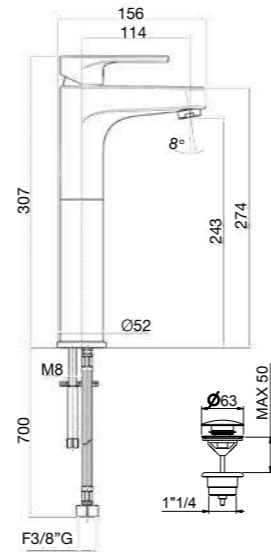
22,1 kg  
box pcs. 10

Ø 35 mm c/d  
35 CA10 20

75 CR 6527 01



Miscelatore lavabo, prolunga cm 15, scarico click-clack spessore regolabile, flex cm 70 3/8"F.  
 One hole basin mixer, 15 cm extension, click-clack pop up waste, flex cm 70 3/8"F.  
 Mitigeur lavabo, rallonge cm 15, vidage click-clack, flexibles cm 70 3/8"F.  
 Смеситель для умывальника, донный клапан, гибкая подводка 70 см 3/8"F.



Finitura / finishing / finition / Покрытие

CR € 151,00

1/2 75 CR 6527 02

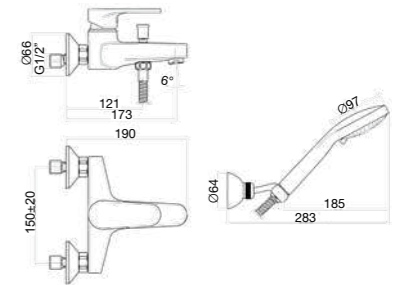
27,4 kg  
box pcs. 10

Ø 35 mm c/d  
35 CA10 20

75 CR 6504



Miscelatore vasca con duplex, doccia idromassaggio Silla.  
 Bath mixer with shower set, Silla massage shower.  
 Mitigeur bain douche avec garniture, douche hydromassage Silla.  
 Смеситель для ванны с душевым гарнитуром.



Finitura / finishing / finition / Покрытие

CR € 131,00

16,5 kg  
box pcs. 5

75 CR 6502  
Miscelatore vasca senza duplex  
Bath mixer without shower set  
Mitigeur bain douche sans garniture  
Смеситель для ванны без душевого гарнитура

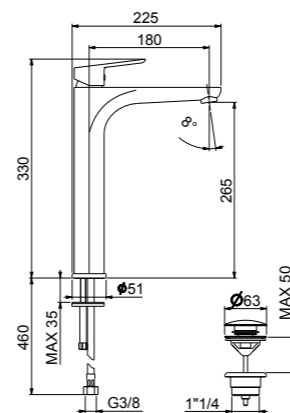
Finitura / finishing / finition / Покрытие  
CR € 103,00

Ø 35 mm c/d  
35 CA10 20

75 CR 8119 01



Miscelatore lavabo, bocca lunga, scarico click-clack spessore regolabile, flex cm 70 3/8"F.  
 One hole basin mixer, long spout, click-clack pop up waste, flex cm 70 3/8"F.  
 Mitigeur lavabo, bec long, vidage click-clack, flexibles cm 70 3/8"F.  
 Смеситель для умывальника, донный клапан, гибкая подводка 70 см 3/8"F.



Finitura / finishing / finition / Покрытие

CR € 195,00

1/2 75 CR 8119 02

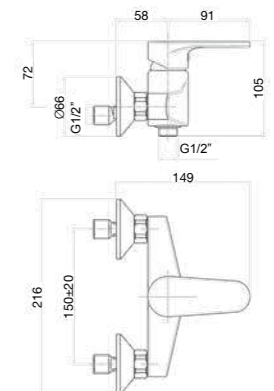
14,65 kg  
box pcs. 5

Ø 35 mm c/d  
35 CA10 20

75 CR 6511



Miscelatore doccia esterno senza duplex.  
 External shower mixer without shower set.  
 Mitigeur douche extérieur sans garniture.  
 Смеситель для душа, внешний монтаж без душевого гарнитура.



Finitura / finishing / finition / Покрытие

CR € 63,00

19 kg  
box pcs. 10

Ø 35 mm s/d  
35 CA10 21

75 CR 6515

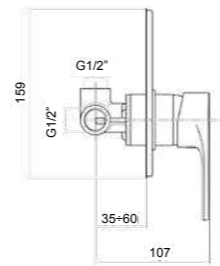
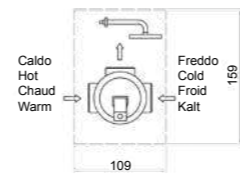


Miscelatore doccia incasso.

Built-in shower mixer.

Mitigeur douche à encastrer.

Смеситель для душа, скрытый монтаж.



Finitura / finishing / finition / Покрытие

CR € 51,00

25,2 kg box pcs. 10

Ø 42 mm s/d 35 CAO 31

75 CR 6517

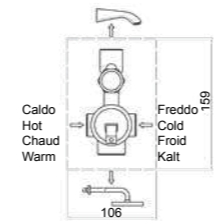
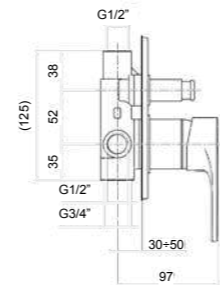


Miscelatore doccia incasso con deviatore, 2 uscite.

2-way built-in shower mixer with diverter.

Mitigeur douche à encastrer avec inverseur, deux sorties.

Смеситель для душа, скрытый монтаж.



Finitura / finishing / finition / Покрытие

CR € 93,00

14,5 kg box pcs. 10

Ø 42 mm s/d 35 CAO 31

30 CR 8798

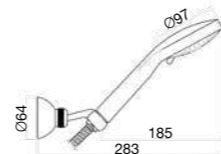


Kit supporto doccetta monogetto e flessibile doppia aggiratura.

Shower set composed of holder, monospray handshower and double seam flex.

Garniture de douche composée de support mural, douchette mono-jet et flexible double agrafage.

Набор лейка, шланг подвод воды.



Finitura / finishing / finition / Покрытие

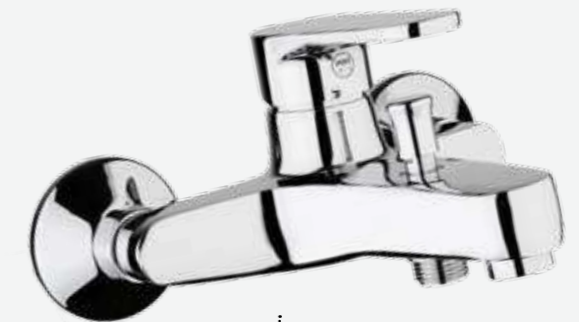
CR € 28,00

6 kg box pcs. 10

# Kyma



75 CR 6520



75 CR 6502



75 CR 6517



75 CR 6527

# XO

## Contract program

Finitura / finishing / finition / Покрытие

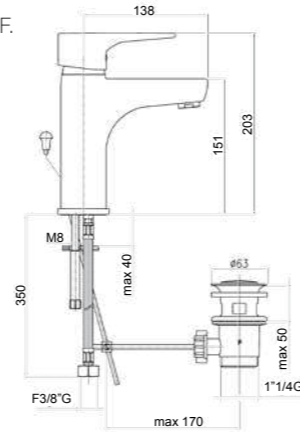
CR  
Cromo  
Chrome



73 CR 7320 01



Miscelatore lavabo, scarico automatico 1"1/4, flex cm 35 3/8"F.  
 One hole basin mixer, 1"1/4 automatic pop up waste, flex cm 35 3/8"F.  
 Mitigeur lavabo, vidage automatique 1"1/4, flexibles cm 35 3/8"F.  
 Смеситель для умывальника, донный клапан 1"1/4, гибкая подводка 35 см 3/8" F.



Finitura / finishing / finition / Покрытие

1/2 73 CR 7320 02

15,5 kg box pcs. 5

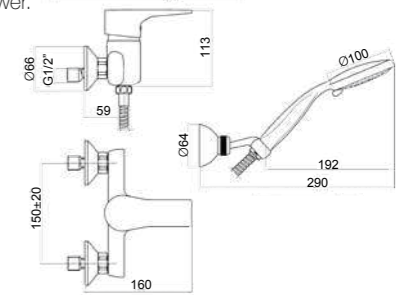
CR € 124,00

Ø 42 mm c/d 35 CA10 30

73 CR 7310



Miscelatore doccia esterno con duplex, doccia idromassaggio Siro.  
 External shower mixer with shower set, Siro massage shower.  
 Mitigeur douche extérieur, avec garniture, douche hydromassage Siro.  
 Смеситель для ванны с душевым гарнитуром.



Finitura / finishing / finition / Покрытие

CR € 134,00

73 CR 7311  
 Miscelatore vasca senza duplex  
 Bath mixer without shower set  
 Mitigeur bain douche sans garniture  
 Смеситель для ванны без душевого гарнитура

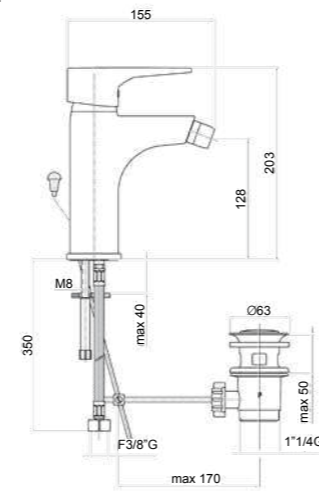
Finitura / finishing / finition / Покрытие  
 CR € 108,00

Ø 42 mm s/d 35 CA10 31

73 CR 7330 01



Miscelatore bidet, scarico automatico 1"1/4, flex cm 35 3/8"F.  
 One hole bidet mixer, 1"1/4 automatic pop up waste, flex cm 35 3/8"F.  
 Mitigeur bidet, vidage automatique 1"1/4, flexibles cm 35 3/8"F.  
 Смеситель для биде, донный клапан 1"1/4, гибкая подводка 35 см 3/8" F.



Finitura / finishing / finition / Покрытие

1/2 73 CR 7330 02

14,8 kg box pcs. 5

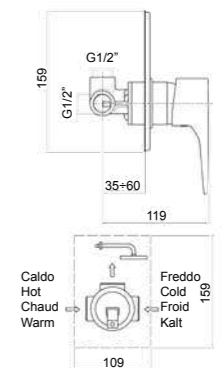
CR € 124,00

Ø 42 mm c/d 35 CA10 30

73 CR 7315



Miscelatore doccia incasso.  
 Built-in shower mixer.  
 Mitigeur douche à encastrer.  
 Смеситель для душа, скрытый монтаж.



Finitura / finishing / finition / Покрытие

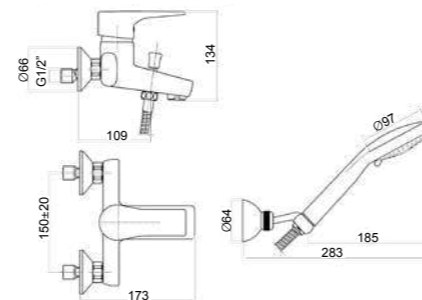
CR € 57,00

Ø 42 mm s/d 35 CA10 31

73 CR 7304



Miscelatore vasca con duplex, doccia idromassaggio Silla.  
 Bath mixer with shower set, Silla massage shower.  
 Mitigeur bain douche avec garniture, douche hydromassage Silla.  
 Смеситель для ванны с душевым гарнитуром.



Finitura / finishing / finition / Покрытие

17,5 kg box pcs. 5

CR € 149,00

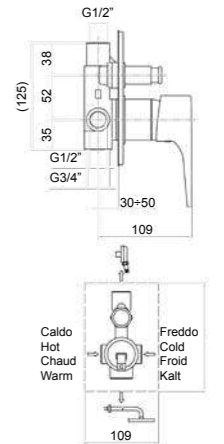
Finitura / finishing / finition / Покрытие  
 CR € 121,00

Ø 42 mm c/d 35 CA10 30

73 CR 7317



Miscelatore doccia incasso con deviatore, due uscite.  
 2-way built-in shower mixer with diverter.  
 Mitigeur douche à encastrer avec inverseur, deux sorties.  
 Смеситель для душа, скрытый монтаж.



Finitura / finishing / finition / Покрытие

CR € 98,00

Ø 42 mm s/d 35 CA10 31



# Kruno

## Contract program

Finitura / finishing / finition / Покрытие

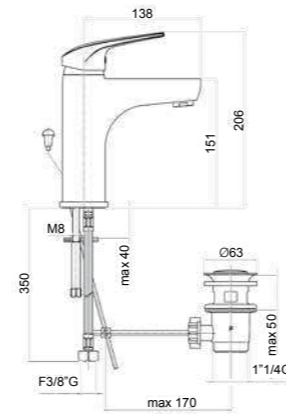
CR  
Cromo  
Chrome



74 CR 7320 01



Miscelatore lavabo, scarico automatico 1"1/4, flex cm 35 3/8"F.  
 One hole basin mixer, 1"1/4 automatic pop up waste, flex cm 35 3/8"F.  
 Mitigeur lavabo, vidage automatique 1"1/4, flexibles cm 35 3/8"F.  
 Смеситель для умывальника, донный клапан 1"1/4, гибкая подводка 35 см 3/8" F.



Finitura / finishing / finition / Покрытие

1/2 74 CR 7320 02

29,7 kg  
box pcs. 10

CR € 124,00

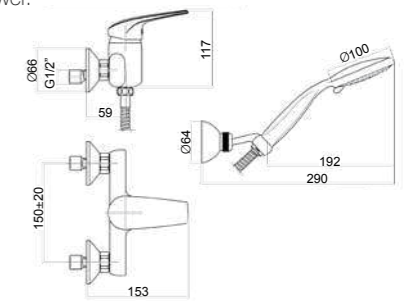
Ø 42 mm c/d  
35 CA10 30

74 CR 7310



Miscelatore doccia esterno con duplex, doccia idromassaggio Siro.  
 External shower mixer with shower set, Siro massage shower.  
 Mitigeur douche extérieur, avec garniture, douche hydromassage Siro.

Смеситель для ванны с душевым гарнитуром.



Finitura / finishing / finition / Покрытие

CR € 134,00

74 CR 7311  
 Miscelatore vasca senza duplex  
 Bath mixer without shower set  
 Mitigeur bain douche sans garniture  
 Смеситель для ванны без душевого гарнитура

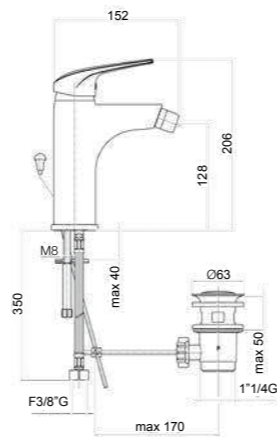
Finitura / finishing / finition / Покрытие  
 CR € 106,00

Ø 42 mm s/d  
35 CA10 31

74 CR 7330 01



Miscelatore bidet, scarico automatico 1"1/4, flex cm 35 3/8"F.  
 One hole bidet mixer, 1"1/4 automatic pop up waste, flex cm 35 3/8"F.  
 Mitigeur bidet, vidage automatique 1"1/4, flexibles cm 35 3/8"F.  
 Смеситель для биде, донный клапан 1"1/4, гибкая подводка 35 см 3/8" F.



Finitura / finishing / finition / Покрытие

1/2 74 CR 7330 02

28,2 kg  
box pcs. 10

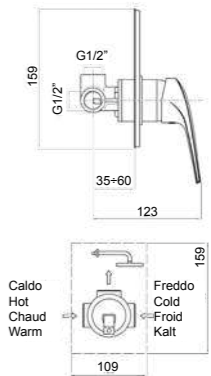
CR € 124,00

Ø 42 mm c/d  
35 CA10 30

74 CR 7315



Miscelatore doccia incasso.  
 Built-in shower mixer.  
 Mitigeur douche à encastrer.  
 Смеситель для душа, скрытый монтаж.



Finitura / finishing / finition / Покрытие

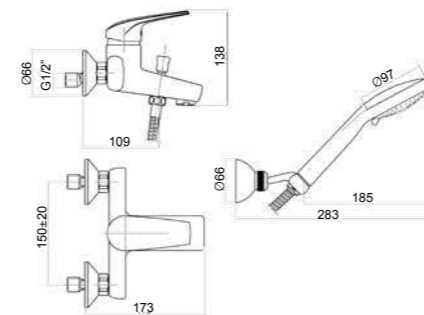
CR € 57,00

Ø 42 mm s/d  
35 CA10 31

74 CR 7304



Miscelatore vasca con duplex, doccia idromassaggio Silla.  
 Bath mixer with shower set, Silla massage shower.  
 Mitigeur bain douche avec garniture, douche hydromassage Silla.  
 Смеситель для ванны с душевым гарнитуром.



Finitura / finishing / finition / Покрытие

17,35 kg  
box pcs. 5

CR € 149,00

Ø 42 mm c/d  
35 CA10 30

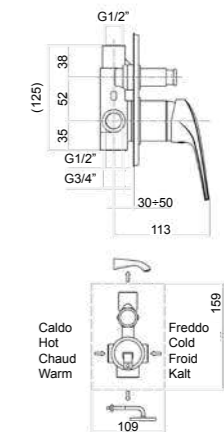
74 CR 7302  
 Miscelatore vasca senza duplex  
 Bath mixer without shower set  
 Mitigeur bain douche sans garniture  
 Смеситель для ванны без душевого гарнитура

Finitura / finishing / finition / Покрытие  
 CR € 121,00

74 CR 7317



Miscelatore doccia incasso con deviatore, due uscite.  
 2-way built-in shower mixer with diverter.  
 Mitigeur douche à encastrer avec inverseur, deux sorties.  
 Смеситель для душа, скрытый монтаж.



Finitura / finishing / finition / Покрытие

CR € 98,00

Ø 42 mm s/d  
35 CA10 31

# Nexus

## Contract program

Finitura / finishing / finition / Покрытие

CR  
Cromo  
Chrome



43 CR 2510 01

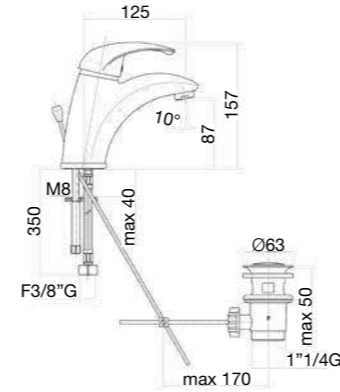


Miscelatore lavabo, scarico automatico 1"1/4, flex cm 35 3/8"F.

One hole basin mixer, 1"1/4 aut pop up waste, flex cm 35 3/8"F.

Mitigeur lavabo, vidage automatique 1"1/4, flexibles cm 35 3/8"F.

Смеситель для умывальника, донный клапан 1"1/4, гибкая подводка 35 см 3/8"F.



Finitura / finishing / finition / Покрытие

1/2 43 CR 2510 02

25,3 kg  
box pcs. 10

CR € 92,00

Ø 42 mm c/d  
35 CA10 30

43 CR 1402

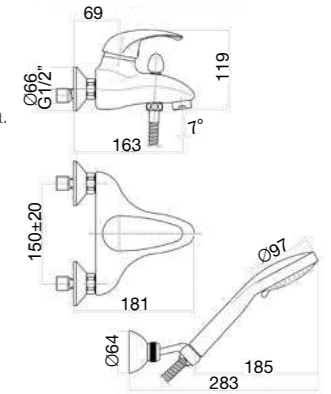


Miscelatore vasca con duplex, doccia idromassaggio Silla.

Bath mixer with shower set, Silla massage shower.

Mitigeur bain douche avec garniture, douche hydromassage Silla.

Смеситель для ванны с душевым гарнитуром.



Finitura / finishing / finition / Покрытие

CR € 133,00

43 CR 1410  
Miscelatore vasca senza duplex  
Bath mixer without shower set  
Mitigeur bain douche sans garniture  
Смеситель для ванны без душевого гарнитура

Finitura / finishing / finition / Покрытие  
CR € 105,00

Ø 42 mm s/d  
35 CA10 31

43 CR 2243 01

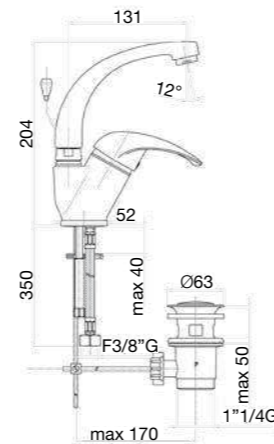


Miscelatore lavabo leva laterale, canna gonfiata cm 13, scarico aut 1"1/4, flex cm 35 3/8"F.

One hole basin mixer, side lever, 13 cm high spout, 1"1/4 automatic pop up waste, flex cm 35 3/8"F.

Mitigeur lavabo, manette latérale, bec gonflé cm 13, vidage aut. 1"1/4, flexibles cm 35 3/8"F.

Смеситель для умывальника, донный клапан 1"1/4, гибкая подводка 35 см 3/8"F.



Finitura / finishing / finition / Покрытие

1/2 43 CR 2243 02

20 kg  
box pcs. 10

CR € 89,00

Ø 42 mm c/d  
35 CA10 30

43 CR 1455

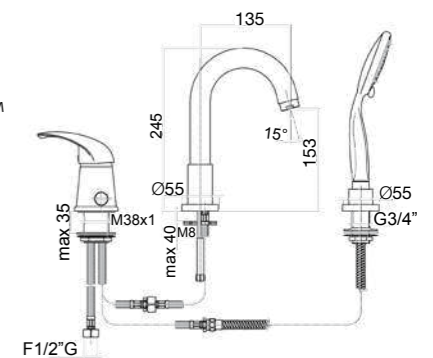


Miscelatore bordo vasca, 3 fori, con doccia Siro.

3-hole bath mixer with Siro shower.

Mitigeur bain douche à 3 trous avec douche Siro .

Смеситель на борт ванны на 3 отверстия с душевым гарнитуром.



Finitura / finishing / finition / Покрытие

CR € 221,00

Ø 42 mm s/d  
35 CA10 31

43 CR 3510 01

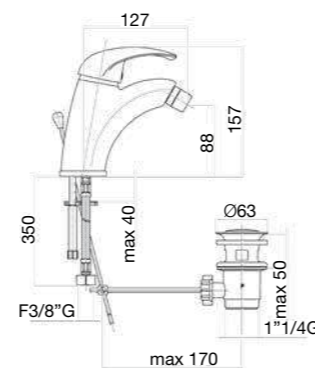


Miscelatore bidet, scarico automatico 1"1/4, flex cm 35 3/8"F.

One hole bidet mixer, 1"1/4 automatic pop up waste, flex cm 35 3/8"F.

Mitigeur bidet, vidage automatique 1"1/4, flexibles cm 35 3/8"F.

Смеситель для биде, донный клапан 1"1/4, гибкая подводка 35 см 3/8"F.



Finitura / finishing / finition / Покрытие

1/2 43 CR 3510 02

25 kg  
box pcs. 10

CR € 92,00

Ø 42 mm c/d  
35 CA10 30

43 CR 1600

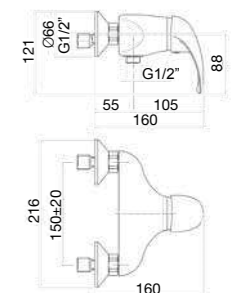


Miscelatore doccia esterno senza duplex, attacco 1/2".

External shower mixer without shower set, 1/2" connection.

Mitigeur douche extérieur sans garniture, 1/2" connection.

Смеситель для душа, внешний монтаж без душевого гарнитура, подсоединение 1/2".



Finitura / finishing / finition / Покрытие

CR € 75,00

Ø 42 mm s/d  
35 CA10 31

30 CR 8798

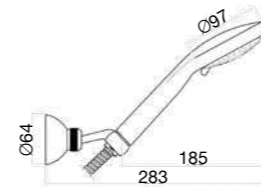


Kit supporto doccetta monogetto e flessibile doppia aggiratura.

Shower set composed of holder, monospray handshower and double seam flex.

Garniture de douche composée de support mural, douchette mono-jet et flexible double agrafage.

Набор лейка ,шланг подвод воды.



Finitura / finishing / finition / Покрытие

CR € 28,00

6 kg box pcs. 10

43 CR 1900

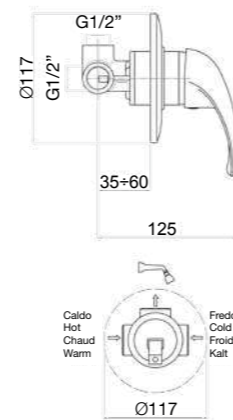


Miscelatore doccia incasso.

Built-in shower mixer.

Mitigeur douche à encastrer.

Смеситель для душа, скрытый монтаж.



Finitura / finishing / finition / Покрытие

CR € 39,00

28,2 kg box pcs. 10

Ø 42 mm s/d 35 CA10 31

43 CR 1931

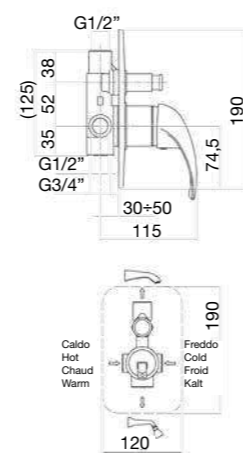


Miscelatore doccia incasso con deviatore, due uscite.

2-way built-in shower mixer with diverter.

Mitigeur douche à encastrer avec inverseur, deux sorties.

Смеситель для душа, скрытый монтаж.



Finitura / finishing / finition / Покрытие

CR € 95,00

17,35 kg box pcs. 5

Ø 42 mm s/d 35 CA10 31

# Nexus



43 CR 2510



43 CR 1600



43 CR 1900

43 CR 1410



# Max

---

Contract  
program

Finitura / finishing / finition / Покрытие

CR  
Cromo  
Chrome



32 CR 2210 01

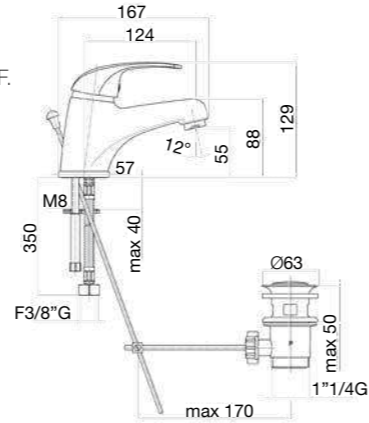


Miscelatore lavabo, scarico automatico 1"1/4, flex cm 35 3/8"F.

One hole basin mixer, 1"1/4 pop up waste, flex cm 35 3/8"F.

Mitigeur lavabo, vidage automatique 1"1/4, flexibles cm 35 3/8"F.

Смеситель для умывальника, донный клапан 1"1/4, гибкая подводка 35 см 3/8"F.



Finitura / finishing / finition / Покрытие

1/2 32 CR 2210 02

20,2 kg  
box pcs. 10

CR

€ 77,00

Ø 42 mm c/d  
35 CA10 30

32 CR 3210 01

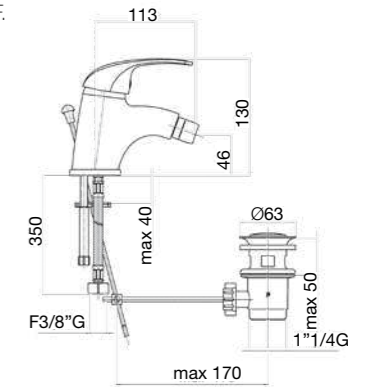


Miscelatore bidet, scarico automatico 1"1/4, flex cm 35 3/8"F.

One hole bidet mixer, 1"1/4 automatic pop up waste, flex cm 35 3/8"F.

Mitigeur bidet, vidage automatique 1"1/4, flexibles cm 35 3/8"F.

Смеситель для биде, донный клапан 1"1/4, гибкая подводка 35 см 3/8"F.



Finitura / finishing / finition / Покрытие

1/2 32 CR 3210 02

32,7 kg  
box pcs. 10

CR

€ 73,00

Ø 42 mm s/d  
35 CA10 31

32 CR 2243 01

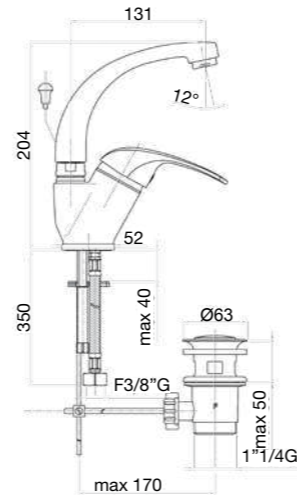


Miscelatore lavabo leva laterale, canna gonfiata cm 13, scarico aut 1"1/4, flex cm 35 3/8"F.

One hole basin mixer, side lever 13 cm high spout, 1"1/4 automatic pop up waste, flex cm 35 3/8"F.

Mitigeur lavabo, manette latérale, bec gonflé cm 13, vidage aut. 1"1/4, flexibles cm 35 3/8"F.

Смеситель для умывальника, донный клапан 1"1/4, гибкая подводка 35 см 3/8"F.



Finitura / finishing / finition / Покрытие

1/2 32 CR 2243 02

21,8 kg  
box pcs. 10

CR

€ 94,00

Ø 42 mm c/d  
35 CA10 30

32 CR 1000

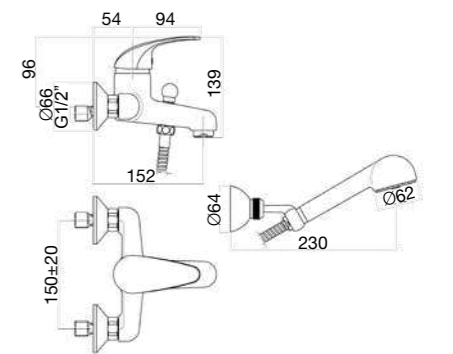


Miscelatore vasca con duplex.

Bath mixer with shower set.

Mitigeur bain douche avec garniture.

Смеситель для ванны, внешний монтаж, с душевым гарнитуром.



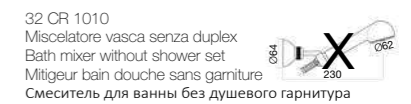
Finitura / finishing / finition / Покрытие

21,5 kg  
box pcs. 5

CR

€ 105,00

Ø 42 mm c/d  
35 CA10 30



32 CR 1010  
Miscelatore vasca senza duplex  
Bath mixer without shower set  
Mitigeur bain douche sans garniture  
Смеситель для ванны без душевого гарнитура

Finitura / finishing / finition / Покрытие  
CR € 88,00

32 CR 2295 01

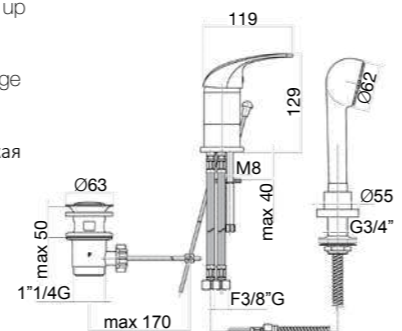


Miscelatore lavabo 2 fori con doccetta estraibile, scarico automatico 1"1/4, flex cm 35 3/8"F.

2-hole basin mixer, pull-out shower, 1"1/4 automatic pop up waste, flex cm 35 3/8"F.

Mitigeur lavabo à 2 trous avec douchette extractible, vidage automatique 1"1/4, flexibles cm 35 3/8"F.

Смеситель для умывальника, донный клапан 1"1/4, гибкая подводка 35 см 3/8"F.



Finitura / finishing / finition / Покрытие

1/2 32 CR 2295 02

25 kg  
box pcs. 10

CR

€ 112,00

Ø 42 mm s/d  
35 CA10 31

32 CR 1090

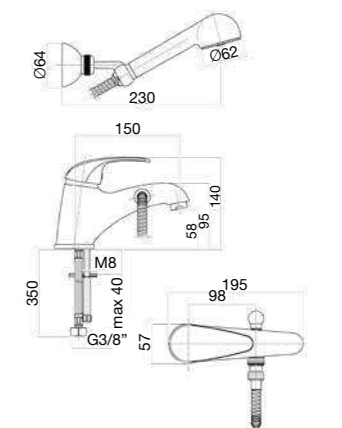


Miscelatore monoforo bordo vasca, flex cm 35, con duplex.

One hole bath mixer, flex cm 35, with shower set.

Mitigeur monotrou bain douche, flexibles cm 35, avec garniture.

Смеситель на борт ванны на 1 отверстие с душевым гарнитуром



Finitura / finishing / finition / Покрытие

19,6 kg  
box pcs. 10

CR

€ 103,00

Ø 42 mm c/d  
35 CA10 30

32 CR 1455

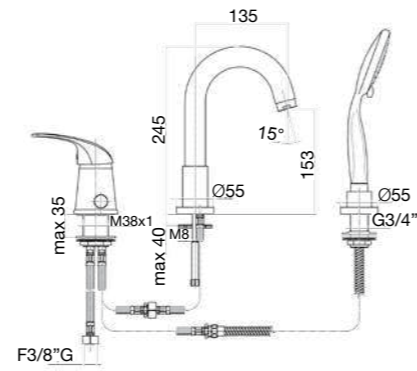


Miscelatore bordo vasca, 3 fori, con doccia Siro.

3-hole bath mixer with Siro shower.

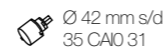
Mitigeur bain douche à 3 trous avec douchette Siro.

Смеситель на борт ванны на 3 отверстия с душевым гарнитуром.



Finitura / finishing / finition / Покрытие

CR € 227,00



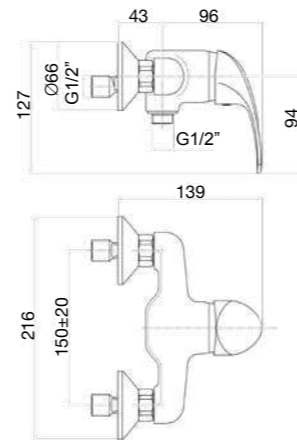
32 CR 1230

Miscelatore doccia esterno frontale 1/2", senza duplex.

External shower mixer without shower set, 1/2" connection.

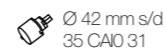
Mitigeur douche extérieur sans garniture, connection 1/2".

Смеситель для душа, внешний монтаж без душевого гарнитура, подключение 1/2".



Finitura / finishing / finition / Покрытие

CR € 63,00



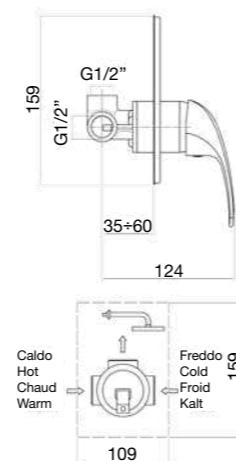
32 CR 1302

Miscelatore doccia incasso.

Built-in shower mixer.

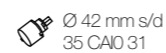
Mitigeur douche à encastrer.

Смеситель для душа, скрытый монтаж.



Finitura / finishing / finition / Покрытие

CR € 53,00



32 CR 1333

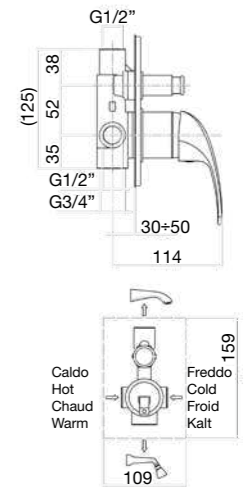


Miscelatore doccia incasso con deviatore, due uscite.

2-way built-in shower mixer with diverter.

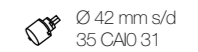
Mitigeur douche à encastrer avec inverseur, deux sorties.

Смеситель для душа, скрытый монтаж.



Finitura / finishing / finition / Покрытие

CR € 95,00



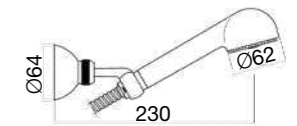
30 CR 8792

Kit supporto doccetta monogetto e flessibile doppia aggiratura.

Shower set composed of holder, monospray handshower and double seam flex.

Garniture de douche composée de support mural, douchette mono-jet et flexible double agrafage.

Набор лейка, шланг подвод воды.



Finitura / finishing / finition / Покрытие

CR € 17,00





# Planet

## Contract program

Finitura / finishing / finition / Покрытие

CR  
Cromo  
Chrome



37 CR 2210 01

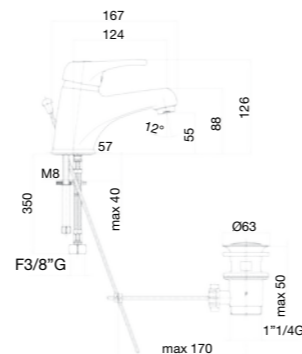


Miscelatore lavabo, scarico automatico 1"1/4, flex cm 35 3/8"F.

One hole basin mixer, 1"1/4 pop up waste, flex cm 35 3/8"F.

Mitigeur lavabo, vidage automatique 1"1/4, flexibles cm 35 3/8"F.

Смеситель для умывальника, донный клапан 1"1/4, гибкая подводка 35 см 3/8"F.



Finitura / finishing / finition / Покрытие

1/2 37 CR 2210 02

19,7 kg  
box pcs. 10

CR

€ 72,00

Ø 42 mm c/d  
35 CA10 30

37 CR 3210 01



Miscelatore bidet, scarico automatico 1"1/4, flex cm 35 3/8"F.

One hole bidet mixer, 1"1/4 automatic pop up waste, flex cm 35 3/8"F.

Mitigeur bidet, vidage automatique 1"1/4, flexibles cm 35 3/8"F.

Смеситель для биде, донный клапан 1"1/4, гибкая подводка 35 см 3/8"F.



Finitura / finishing / finition / Покрытие

1/2 37 CR 3210 02

18,5 kg  
box pcs. 10

CR

€ 68,00

Ø 42 mm s/d  
35 CA10 31

37 CR 2243 01

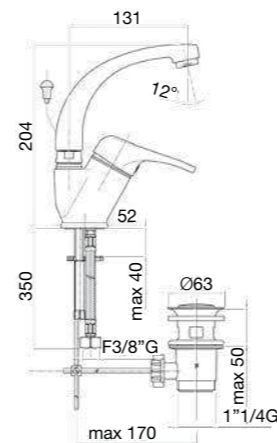


Miscelatore lavabo leva laterale, canna gonfiata cm 13, scarico aut 1"1/4, flex cm 35 3/8"F.

One hole basin mixer, side lever 13 cm high spout, 1"1/4 automatic pop up waste, flex cm 35 3/8"F.

Mitigeur lavabo, manette latérale, bec gonflé cm 13, vidage aut. 1"1/4, flexibles cm 35 3/8"F.

Смеситель для умывальника, донный клапан 1"1/4, гибкая подводка 35 см 3/8"F.



Finitura / finishing / finition / Покрытие

1/2 37 CR 2243 02

20,5 kg  
box pcs. 10

CR

€ 89,00

Ø 42 mm c/d  
35 CA10 30

37 CR 1000

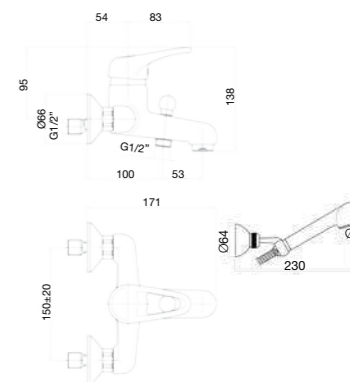


Miscelatore vasca con duplex.

Bath mixer with shower set.

Mitigeur bain douche avec garniture.

Смеситель для ванны, внешний монтаж, с душевым гарнитуром.



Finitura / finishing / finition / Покрытие

20,9 kg  
box pcs. 5

CR

€ 100,00

Ø 42 mm c/d  
35 CA10 30

37 CR 1010  
Miscelatore vasca senza duplex  
Bath mixer without shower set  
Mitigeur bain douche sans garniture  
Смеситель для ванны без душевого гарнитура

Finitura / finishing / finition / Покрытие

CR € 83,00

37 CR 2295 01

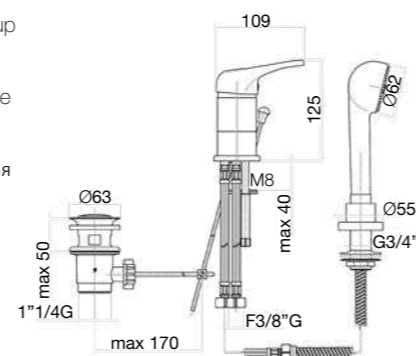


Miscelatore lavabo 2 fori con doccetta estraibile, scarico automatico 1"1/4, flex cm 35 3/8"F.

2-hole basin mixer, pull-out shower, 1"1/4 automatic pop up waste, flex cm 35 3/8"F.

Mitigeur lavabo à 2 trous avec douchette extractible, vidage automatique 1"1/4, flexibles cm 35 3/8"F.

Смеситель для умывальника, донный клапан 1"1/4, гибкая подводка 35 см 3/8"F.



Finitura / finishing / finition / Покрытие

1/2 37 CR 2295 02

32,5 kg  
box pcs. 10

CR

€ 107,00

Ø 42 mm s/d  
35 CA10 31

37 CR 1090

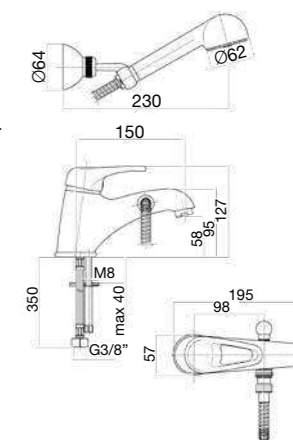


Miscelatore monoforo bordo vasca, flex cm 35, con duplex.

One hole bath mixer, flex cm 35, with shower set.

Mitigeur monotrou bain douche, flexibles cm 35, avec garniture.

Смеситель на борт ванны на 1 отверстие с душевым гарнитуром.



Finitura / finishing / finition / Покрытие

20,7 kg  
box pcs. 10

CR

€ 98,00

Ø 42 mm c/d  
35 CA10 30

37 CR 1455

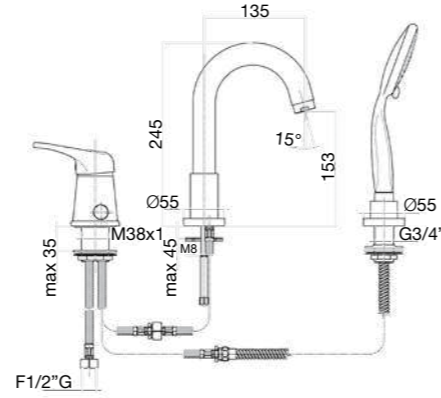


Miscelatore bordo vasca, 3 fori, con doccia Siro.

3-hole bath mixer with Siro shower.

Mitigeur bain douche à 3 trous avec douchette Siro.

Смеситель на борт ванны на 3 отверстия с душевым гарнитуром.



Finitura / finishing / finition / Покрытие

CR € 221,00

20,5 kg  
box pcs. 5

Ø 42 mm s/d  
35 CA10 31

37 CR 1300

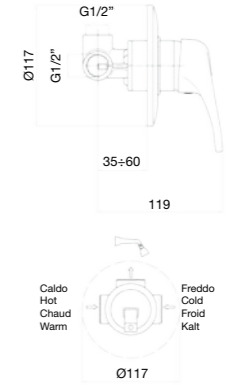


Miscelatore doccia incasso.

Built-in shower mixer.

Mitigeur douche à encastrer.

Смеситель для душа, скрытый монтаж.



Finitura / finishing / finition / Покрытие

CR € 39,00

8,9 kg  
box pcs. 10

Ø 42 mm s/d  
35 CA10 31

37 CR 1200

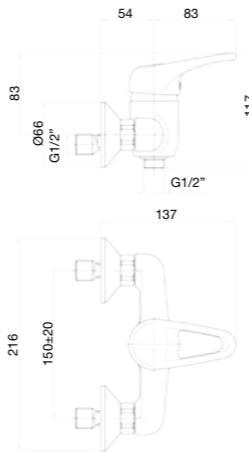


Miscelatore doccia esterno attacco 1/2", senza duplex.

External shower mixer without shower set, 1/2" connection.

Mitigeur douche extérieur sans garniture, connection 1/2".

Смеситель для душа, внешний монтаж без душевого гарнитура, подключение 1/2".



Finitura / finishing / finition / Покрытие

CR € 57,00

14,5 kg  
box pcs. 10

Ø 42 mm s/d  
35 CA10 31

37 CR 1331

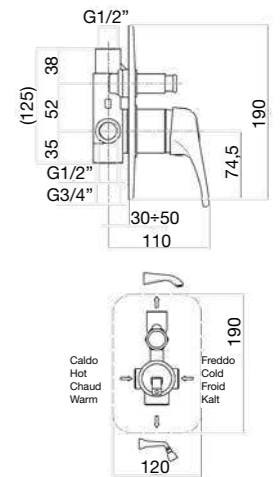


Miscelatore doccia incasso con deviatore, due uscite.

2-way built-in shower mixer with diverter.

Mitigeur douche à encastrer avec inverseur, deux sorties.

Смеситель для душа, скрытый монтаж.



Finitura / finishing / finition / Покрытие

CR € 95,00

15,3 kg  
box pcs. 10

Ø 42 mm s/d  
35 CA10 31

37 CR 1230

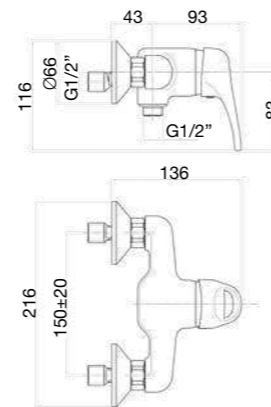


Miscelatore doccia esterno frontale 1/2", senza duplex.

External shower mixer without shower set, 1/2" connection.

Mitigeur douche extérieur sans garniture, connection 1/2".

Смеситель для душа, внешний монтаж без душевого гарнитура, подключение 1/2".



Finitura / finishing / finition / Покрытие

CR € 58,00

15 kg  
box pcs. 10

Ø 42 mm s/d  
35 CA10 31

30 CR 8792

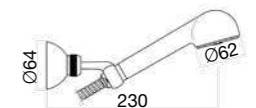


Kit supporto doccia monogetto e flessibile doppia aggraffatura.

Shower set composed of holder, monospray handshower and double seam flex.

Garniture de douche composée de support mural, douchette mono-jet et flexible double agrafage.

Набор лейка, шланг подвод воды.



Finitura / finishing / finition / Покрытие

CR € 17,00

6 kg  
box pcs. 10

# Class

## Contract program

Finitura / finishing / finition / Покрытие

CR  
Cromo  
Chrome



38 CR 2210 01

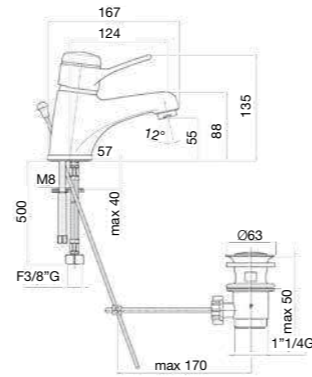


Miscelatore lavabo, scarico automatico 1"1/4, flex cm 35 3/8"F.

One hole basin mixer, 1"1/4 automatic pop up waste, flex cm 35 3/8"F.

Mitigeur lavabo, vidage automatique 1"1/4, flexibles cm 35 3/8"F.

Смеситель для умывальника, донный клапан 1"1/4, гибкая подводка 35 см 3/8"F.



Finitura / finishing / finition / Покрытие

CR € 86,00

1/2 38 CR 2210 02

20,5 kg box pcs. 10

Ø 42 mm c/d 35 CA10 30

38 CR 1260

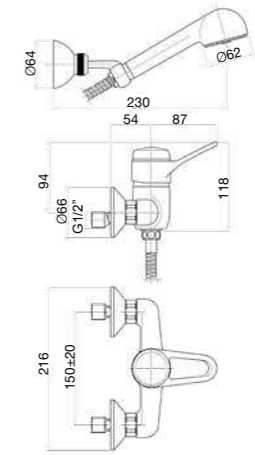


Miscelatore doccia esterno con duplex.

External shower mixer with shower set.

Mitigeur douche extérieur avec garniture.

Смеситель для душа, внешний монтаж, с душевым гарнитуром.



Finitura / finishing / finition / Покрытие

CR € 87,00

19,2 kg box pcs. 10

Ø 42 mm s/d 35 CA10 31

38 CR 3210 01

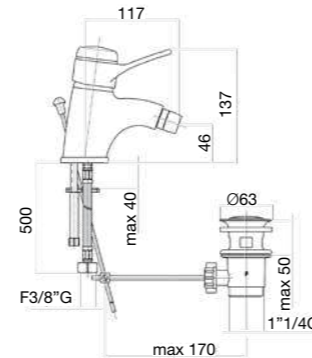


Miscelatore bidet, scarico automatico 1"1/4, flex cm 35 3/8"F.

One hole bidet mixer, 1"1/4 automatic pop up waste, flex cm 35 3/8"F.

Mitigeur bidet, vidage automatique 1"1/4, flexibles cm 35 3/8"F.

Смеситель для биде, донный клапан 1"1/4, гибкая подводка 35 см 3/8"F.



Finitura / finishing / finition / Покрытие

CR € 82,00

1/2 38 CR 3210 02

19,3 kg box pcs. 10

Ø 42 mm s/d 35 CA10 31

38 CR 1300

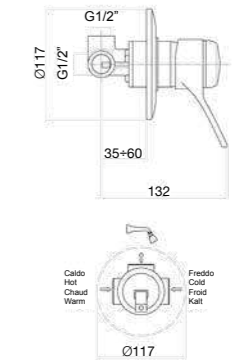


Miscelatore doccia incasso.

Built-in shower mixer.

Mitigeur douche à encastrer.

Смеситель для душа, скрытый монтаж



Finitura / finishing / finition / Покрытие

CR € 39,00

15,3 kg box pcs. 10

Ø 42 mm s/d 35 CA10 31

38 CR 1000

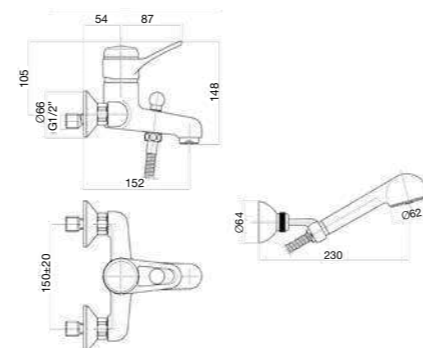


Miscelatore vasca con duplex.

Bath mixer with shower set.

Mitigeur bain douche avec garniture.

Смеситель для ванны, внешний монтаж, с душевым гарнитуром.



Finitura / finishing / finition / Покрытие

CR € 113,00

21,7 kg box pcs. 10

Ø 42 mm c/d 35 CA10 30

38 CR 1010 Miscelatore vasca senza duplex Bath mixer without shower set Mitigeur bain douche sans garniture Смеситель для ванны без душевого гарнитура

Finitura / finishing / finition / Покрытие CR € 96,00

38 CR 1331

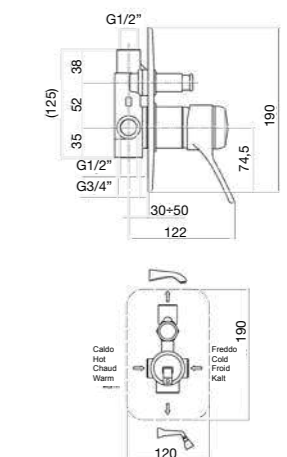


Miscelatore doccia incasso con deviatore, due uscite.

2-way built-in shower mixer with diverter.

Mitigeur douche à encastrer avec inverseur, deux sorties.

Смеситель для душа, скрытый монтаж.



Finitura / finishing / finition / Покрытие

CR € 95,00

6 kg box pcs. 10

Ø 42 mm s/d 35 CA10 31

# Mistral

---

## Contract program

Finitura / finishing / finition / Покрытие

CR  
Cromo  
Chrome



42 CR 2710 01

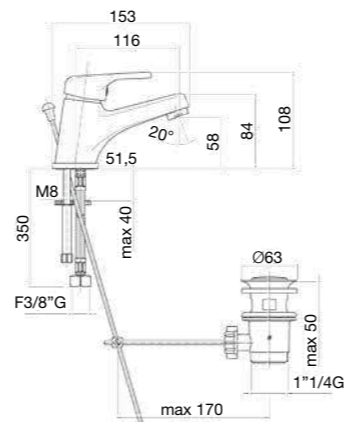


Miscelatore lavabo, scarico aut. 1"1/4, flex cm 35

One hole basin mixer with 1"1/4 automatic pop up waste, flex cm 35 3/8"F.

Mitigeur lavabo, vidage automatique 1"1/4, flexibles cm 35 3/8"F.

Смеситель для умывальника, донный клапан 1"1/4, гибкая подводка 35 см 3/8"F.



Finitura / finishing / finition / Покрытие

1/2 42 CR 2710 02

16,5 kg box pcs. 10

CR

€ 62,00

Ø 35 mm c/d 35 CA10 20

42 CR 3710 01

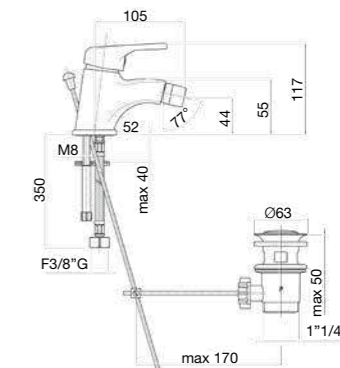


Miscelatore bidet, scarico aut. 1"1/4, flex cm 35 3/8"F.

One hole bidet mixer, 1"1/4 automatic pop up waste, flex cm 35 3/8"F.

Mitigeur bidet, vidage aut. 1"1/4, flexibles cm 35 3/8"F.

Смеситель для биде, донный клапан 1"1/4, гибкая подводка 35 см 3/8"F.



Finitura / finishing / finition / Покрытие

1/2 42 CR 3710 02

19,2 kg box pcs. 10

CR

€ 59,00

Ø 35 mm c/d 35 CA10 20

42 CR 2709

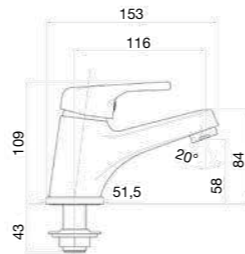


Rubinetto lavabo monotubo, senza scarico.

One hole basin tap, one water inlet, without pop up waste.

Robinet lavabo, une seule entrée d'eau, sans vidage.

Смеситель для умывальника.



Finitura / finishing / finition / Покрытие

23,1 kg box pcs. 20

CR

€ 59,00

Ø 35 mm c/d 35 CA10 20

42 CR 1500

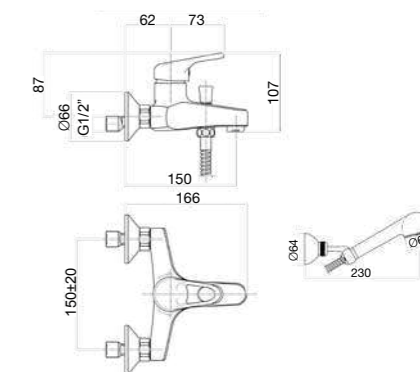


Miscelatore vasca con duplex.

Bath mixer with shower set.

Mitigeur bain douche avec garniture.

Смеситель для ванны, внешний монтаж, с душевым гарнитуром.



Finitura / finishing / finition / Покрытие

21,7 kg box pcs. 10

CR

€ 92,00

Ø 35 mm c/d 35 CA10 20

42 CR 1510 Miscelatore vasca senza duplex. Bath mixer without shower set. Mitigeur bain douche sans garniture. Смеситель для ванны без душевого гарнитура.

Finitura / finishing / finition / Покрытие CR € 75,00

42 CR 4633 01

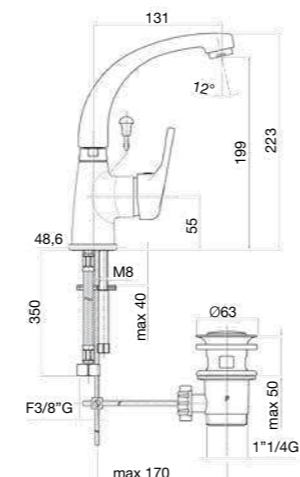


Miscelatore lavabo, leva laterale, canna fusa cm 13, scarico aut. 1"1/4, flex cm 35 3/8"F.

One hole basin mixer, 13 cm cast spout, 1"1/4 aut. pop up waste, flex cm 35 3/8"F.

Mitigeur lavabo, bec fondu cm 13, vidage aut. 1"1/4, flexibles cm 35 3/8"F.

Смеситель для умывальника, высокий излив, донный клапан 1"1/4, гибкая подводка 35 см 3/8"F.



Finitura / finishing / finition / Покрытие

1/2 42 CR 4633 02

17,8 kg box pcs. 10

CR

€ 90,00

Ø 35 mm s/d 35 CA10 21

42 CR 1700

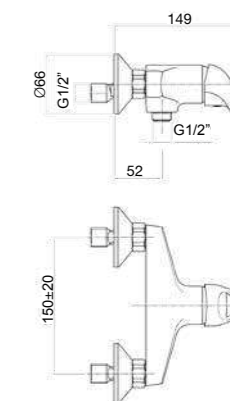


Miscelatore doccia esterno frontale senza duplex, attacco 1/2".

External shower mixer without shower set, 1/2" connection.

Mitigeur douche extérieur sans garniture, connection 1/2".

Смеситель для душа, внешний монтаж, подключение 1/2", без душевого гарнитура.



Finitura / finishing / finition / Покрытие

14,5 kg box pcs. 10

CR

€ 56,00

Ø 35 mm c/d 35 CA10 20

42 CR 1720

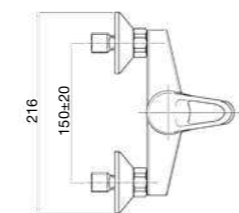
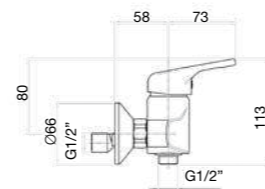


Miscelatore doccia esterno senza duplex, attacco 1/2".

External shower mixer without shower set, 1/2" connection.

Mitigeur douche extérieur sans garniture, connection 1/2".

Смеситель для душа, внешний монтаж, подключение 1/2", без душевого гарнитура.



Finitura / finishing / finition / Покрытие

CR € 56,00

12,8 kg  
box pcs. 10

Ø 35 mm c/d  
35 CA10 20

30 CR 8792

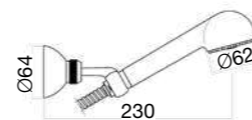


Kit supporto doccetta monogetto e flessibile doppia aggraffatura.

Shower set composed of holder, monospray handshower and double seam flex.

Garniture de douche composée de support mural, douchette mono-jet et flexible double agrafage.

Набор лейка, шланг подвод воды.



Finitura / finishing / finition / Покрытие

CR € 17,00

6 kg  
box pcs. 10

37 CR 1300

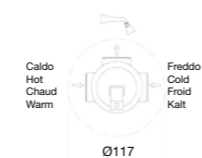
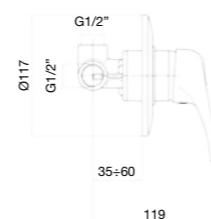


Miscelatore doccia incasso.

Built-in shower mixer.

Mitigeur douche à encastrer.

Смеситель для душа, скрытый монтаж.



Finitura / finishing / finition / Покрытие

CR € 39,00

8 kg  
box pcs. 10

Ø 42 mm s/d  
35 CA10 31

37 CR 1331

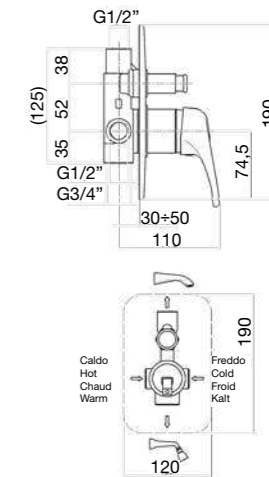


Miscelatore doccia incasso con deviatore, due uscite.

2-way built-in shower mixer with diverter.

Mitigeur douche à encastrer avec inverseur, deux sorties.

Смеситель для душа, скрытый монтаж.



Finitura / finishing / finition / Покрытие

CR € 95,00

Ø 42 mm s/d  
35 CA10 31



# Classic Line

Contract  
program

Finitura / finishing / finition / Покрытие

CR  
Cromo  
Chrome



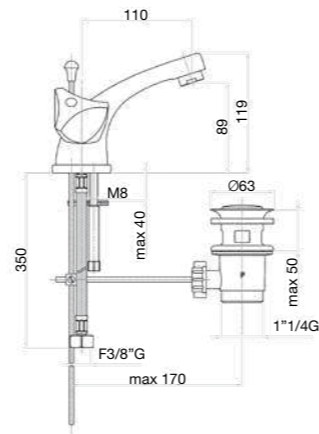
24 CR 0230 01

Monoblocco lavabo, scarico aut. 1"1/4, flex cm 35 3/8"F.

One hole basin mixer, 1"1/4 aut pop up waste, flex cm 35 3/8"F.

Mélangeur monotrou lavabo, vidage automatique 1"1/4, flexibles cm 35 3/8"F.

Смеситель для умывальника, донный клапан 1"1/4, гибкая подводка 35 см 3/8" F.



Finitura / finishing / finition / Покрытие

CR € 74,00



1/2 24 CR 0230 02

15 kg box pcs. 10

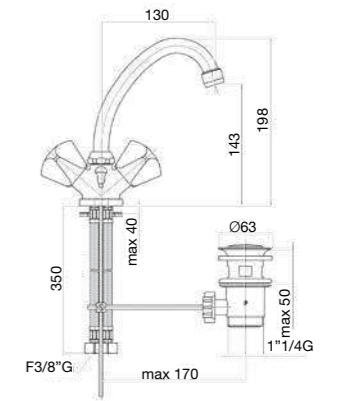
24 CR 0367 01

Monoforo lavabo, canna J cm 13, scarico aut. 1"1/4, flex cm 35 3/8"F.

One hole basin mixer, 1"1/4 aut pop up waste, 13 cm J-spout, flex cm 35 3/8"F.

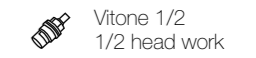
Mélangeur monotrou lavabo, bec J cm 13, vidage automatique 1"1/4, flexibles cm 35 3/8"F.

Смеситель для умывальника, донный клапан 1"1/4, гибкая подводка 35 см 3/8" F.



Finitura / finishing / finition / Покрытие

CR € 57,00



1/2 24 CR 0367 02

14,9 kg box pcs. 10

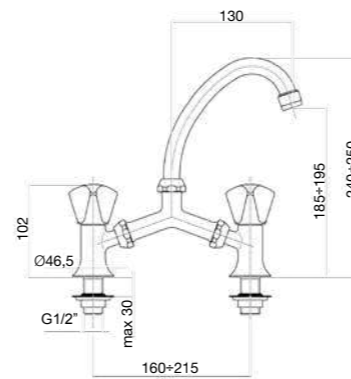
24 CR 0243

Gruppo lavabo a ponte in ottone, canna J cm 13.

2-hole brass basin mixer, bridge model, 13 cm J-spout.

Mélangeur lavabo à pont en laiton, bec J cm 13.

Смеситель для умывальника.



Finitura / finishing / finition / Покрытие

CR € 69,00



27,7 kg box pcs. 20

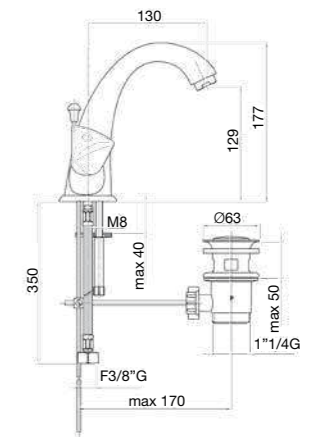
24 CR 0623 01

Monoblocco lavabo alto, scarico aut. 1"1/4, flex cm 35 3/8"F.

High basin mixer, 1"1/4 aut pop up waste, flex cm 35 3/8"F.

Mélangeur lavabo, bec haut, vidage automatique 1"1/4, flexibles cm 35 3/8"F.

Смеситель для умывальника, донный клапан 1"1/4, гибкая подводка 35 см 3/8" F.



Finitura / finishing / finition / Покрытие

CR € 84,00



1/2 24 CR 0623 02

14 kg box pcs. 5

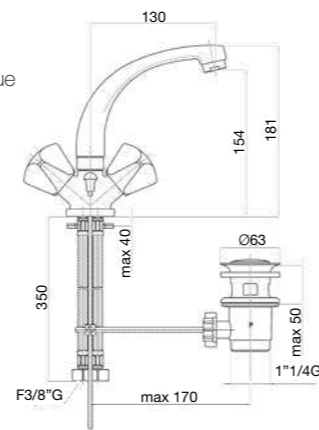
24 CR 0369 01

Monoforo lavabo, canna fusa cm 13, scarico aut. 1"1/4, flex cm 35 3/8"F.

One hole basin mixer, 1"1/4 aut pop up waste, 13 cm cast spout, flex cm 35 3/8"F.

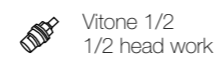
Mélangeur monotrou lavabo, bec fondu cm 13, vidage automatique 1"1/4, flexibles cm 35 3/8"F.

Смеситель для умывальника, донный клапан 1"1/4, гибкая подводка 35 см 3/8" F.



Finitura / finishing / finition / Покрытие

CR € 72,00



1/2 24 CR 0369 02

18,3 kg box pcs. 10

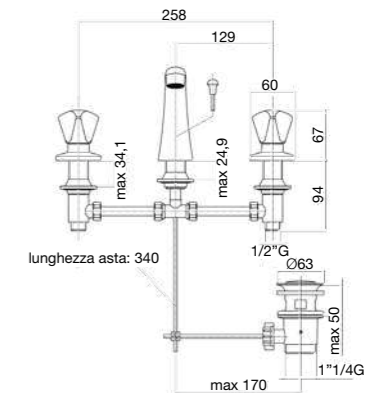
24 CR 0027

Batteria lavabo 3 fori bocca alta, scarico aut. 1"1/4.

3-hole basin set, high spout, 1"1/4 aut. pop up waste.

Mélangeur lavabo à 3 trous, bec haut, vidage automatique 1"1/4.

Смеситель для умывальника на 3 отверстия, донный клапан 1"1/4.



Finitura / finishing / finition / Покрытие

CR € 93,00



14,5 kg box pcs. 10

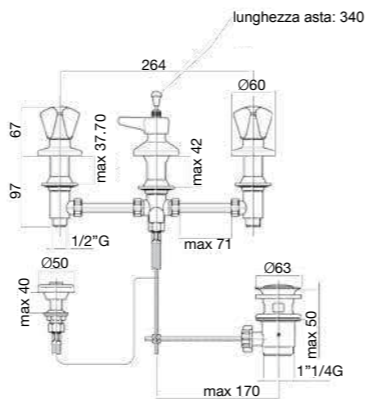
24 CR 0248

Batteria bidet 3 fori con doccetta spray, scarico aut. 1"1/4.

3-hole bidet set with spray, 1"1/4 aut. pop up waste.

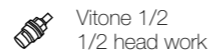
Mélangeur bidet à 3 trous avec douchette, vidage aut. 1"1/4.

Смеситель для биде на 3 отверстия, спрей, донный клапан 1"1/4.



Finitura / finishing / finition / Покрытие

CR € 117,00



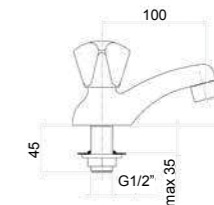
24 CR 0060

Rubinetto collo cigno 1/2".

1/2" pillar tap cock.

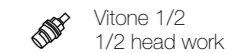
Robinet simple de lavabo 1/2".

Кран для умывальника, подсоединение 1/2".



Finitura / finishing / finition / Покрытие

CR € 30,00



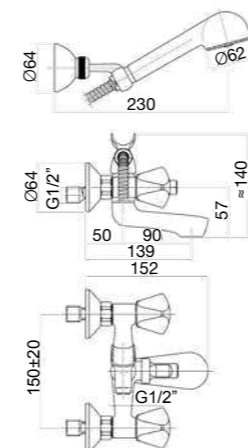
24 CR F212

Gruppo vasca con deviatore GR, monoforcella e duplex.

Bath mixer with GR diverter, single fork and shower set.

Mélangeur bain douche avec inverseur GR, support simple et garniture.

Смеситель для ванны, внешний монтаж, с душевым гарнитуром.



Finitura / finishing / finition / Покрытие

CR € 84,00



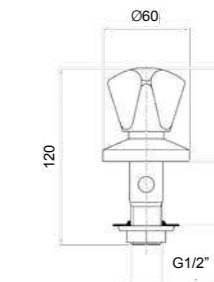
24 CR 0062

Rubinetto bidet 1/2".

1/2" bidet tap.

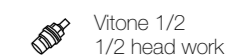
Robinet bidet 1/2".

Кран для биде, подсоединение 1/2".



Finitura / finishing / finition / Покрытие

CR € 21,00



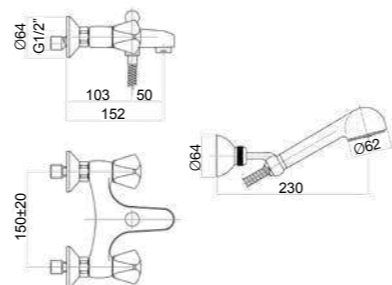
24 CR 0201

Gruppo vasca con duplex.

Bath mixer with shower set.

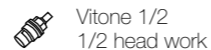
Mélangeur bain douche avec garniture.

Смеситель для ванны, внешний монтаж с душевым гарнитуром.



Finitura / finishing / finition / Покрытие

CR € 80,00



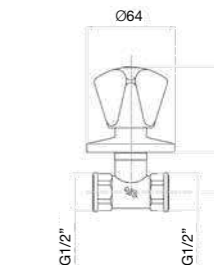
24 CR 0066

Rubinetto arresto incasso 1/2".

Straight built-in 1/2" stop cock.

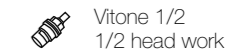
Robinet à encastrer 1/2".

Кран запорный 1/2", скрытый монтаж.



Finitura / finishing / finition / Покрытие

CR € 22,00



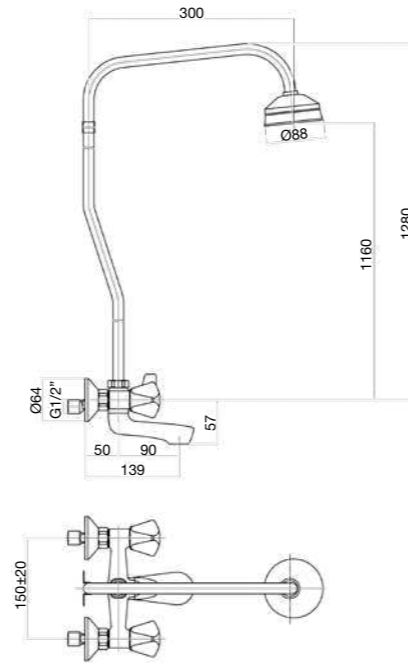
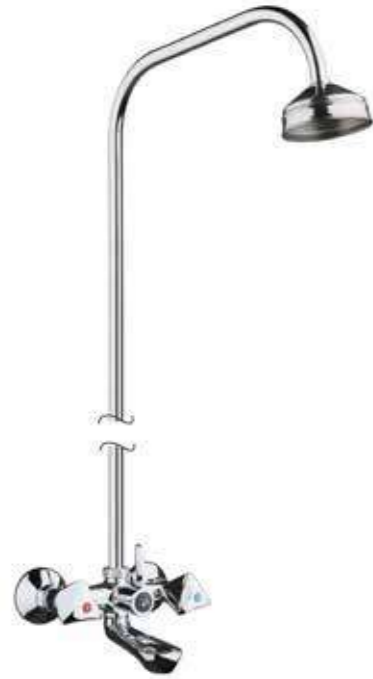
24 CR 0200

Gruppo vasca con doccia a colonna completa di soffione.

Bath mixer with rail and shower head.

Mélangeur bain douche avec colonne et pomme de douche.

Смеситель для ванны, внешний монтаж, верхний душ



Finitura / finishing / finition / Покрытие

CR

€ 80,00

Vitone 1/2  
1/2 head work

2 kg  
box pcs. 1

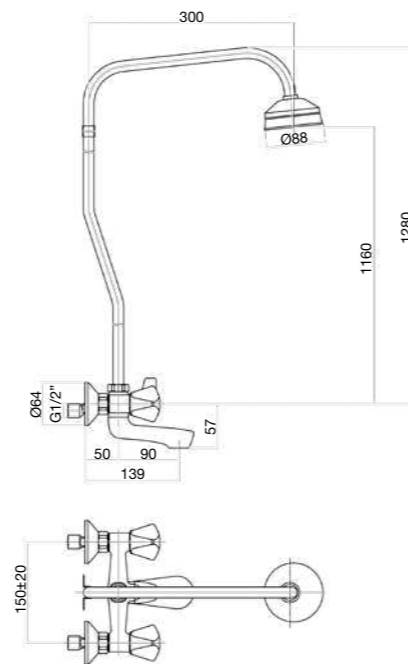
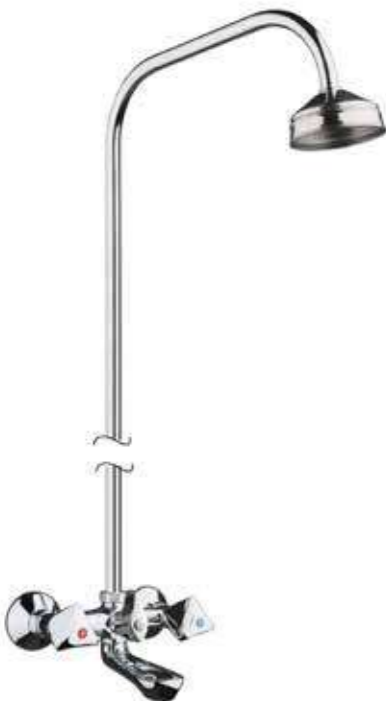
24 CR G200

Gruppo vasca con doccia a colonna completa di soffione.

Bath mixer with rail and shower head.

Mélangeur bain douche avec colonne et pomme de douche.

Смеситель для ванны, внешний монтаж, верхний душ.



Finitura / finishing / finition / Покрытие

CR

€ 79,00

Vitone 1/2  
1/2 head work

2 kg  
box pcs. 1

24 CR 0330

Rubinetto a colonna, canna J cm 20.

Sink pillar tap, 20 cm J-spout.

Robinet d'évier, bec J cm 20.

Кран хозяйственный, подсоединение 1/2".

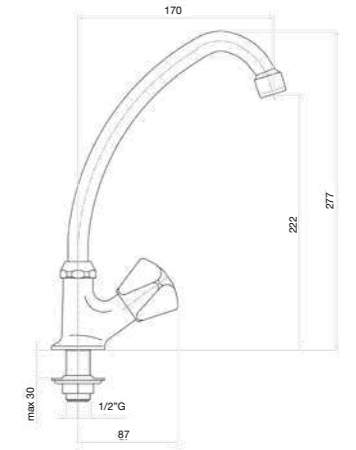


Finitura / finishing / finition / Покрытие

CR

€ 37,00

10,7 kg  
box pcs. 15



Vitone 1/2  
1/2 head work

24 CR 0322

Rubinetto a snodo 1/2", canna U cm 20.

1/2" sink tap, 20 cm U-spout.

Robinet de service 1/2", bec U cm 20.

Кран хозяйственный, подсоединение 1/2".

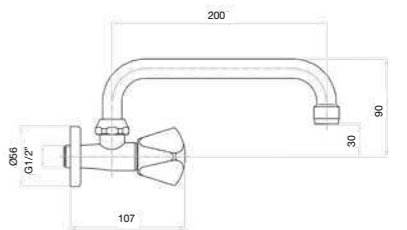


Finitura / finishing / finition / Покрытие

CR

€ 29,00

11,9 kg  
box pcs. 20



Vitone 1/2  
1/2 head work

24 CR 0323

Rubinetto a snodo 1/2", canna J cm 13.

1/2" sink tap, 13 cm J-spout.

Robinet de service 1/2", bec J cm 13.

Кран хозяйственный, подсоединение 1/2".

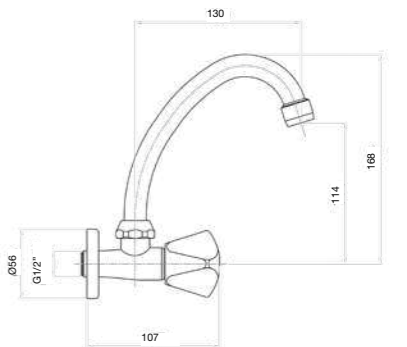


Finitura / finishing / finition / Покрытие

CR

€ 25,00

11,7 kg  
box pcs. 20

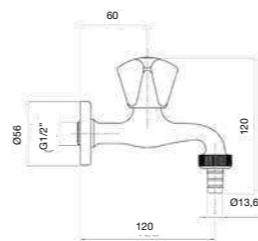


Vitone 1/2  
1/2 head work

24 CR 0302



Rubinetto Trieste con portagomma 1/2".  
1/2" tap for washing machine.  
Robinet de service 1/2" avec raccord au nez.  
Кран для стиральной машины 1/2".



Finitura / finishing / finition / Покрытие

CR € 23,00

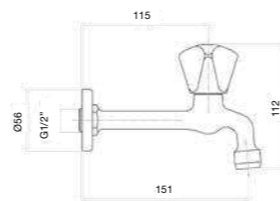
34,5 kg  
box pcs. 60

Vitone 1/2  
1/2 head work

24 CR 0283



Rubinetto prolungato 1/2" con aeratore.  
1/2" extension tap with aerator.  
Robinet de service 1/2" avec aérateur.  
Кран хозяйственный, с аэратором,  
подсоединение 1/2".



Finitura / finishing / finition / Покрытие

CR € 23,00

34 kg  
box pcs. 60

Vitone 1/2  
1/2 head work

# Classic Line



24 CR 0230



24 CR 0623



24 CR 0369

24 CR 0302



# Astro

## Contract program

Finitura / finishing / finition / Покрытие

CR  
Cromo  
Chrome



14 CR 0328

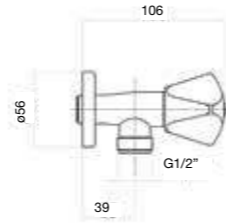


Rubinetto attacco lavatrice 1/2"x3/4", maniglia Astro.

Washing machine tap 1/2"x3/4", Astro handle.

Robinet machine à laver 1/2"x3/4", croisillon Astro.

Кран для стиральной машины, 1/2"x3/4".



Finitura / finishing / finition / Покрытие

CR € 19,00

25,3 kg  
box pcs. 60

Vitone 1/2  
1/2 head work

14 CR 0322

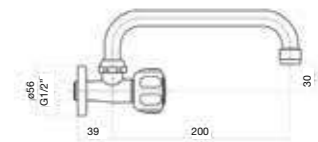


Rubinetto a snodo 1/2", canna U cm 20.

1/2" sink tap, 20 cm U-spout.

Robinet de service avec bec à U cm 20.

Кран хозяйственный, подсоединение 1/2".



Finitura / finishing / finition / Покрытие

CR € 32,00

11,3 kg  
box pcs. 20

Vitone 1/2  
1/2 head work

14 CR 0326

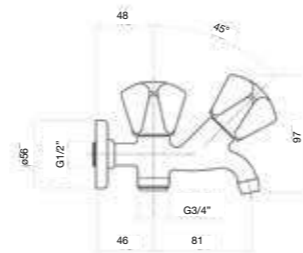


Rubinetto doppio uso 1/2"x3/4", maniglia Astro.

2-exit tap, washing machine connection, 1/2"x3/4", Astro handle.

Robinet à 2 sorties, connection machine à laver, 1/2"x3/4" croisillon Astro.

Кран хозяйственный, с подключением для стиральной машины 1/2"x3/4".



Finitura / finishing / finition / Покрытие

CR € 36,00

15,2 kg  
box pcs. 25

Vitone 1/2  
1/2 head work

14 CR 0323

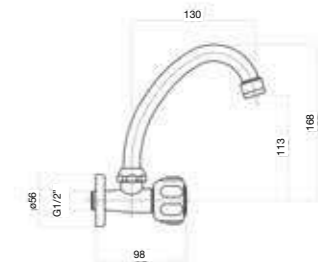


Rubinetto a snodo 1/2", canna J cm 13.

1/2" sink tap, 13 cm J-spout.

Robinet de service 1/2", bec J cm 13.

Кран хозяйственный, подсоединение 1/2".



Finitura / finishing / finition / Покрытие

CR € 28,00

11 kg  
box pcs. 20

Vitone 1/2  
1/2 head work

14 CR 0324



Rubinetto a snodo doppio uso 1/2", maniglia Astro.

Sink tap with washing machine connection 1/2", Astro handle.

Robinet de service, connection pour machine à laver 1/2", croisillon Astro.

Кран хозяйственный, с подключением для стиральной машины, подсоединение 1/2".



Finitura / finishing / finition / Покрытие

CR € 49,00

16,9 kg  
box pcs. 10

Vitone 1/2  
1/2 head work

14 CR 0302

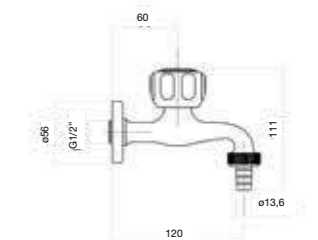


Rubinetto Trieste portagomma 1/2".

Tap for washing machine 1/2".

Robinet de service 1/2" avec raccord au nez.

Кран для стиральной машины 1/2".



Finitura / finishing / finition / Покрытие

CR € 26,00

32,7 kg  
box pcs. 60

Vitone 1/2  
1/2 head work

14 CR 0283

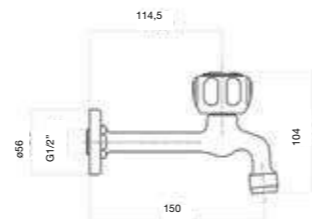


Rubinetto prolungato 1/2" con aeratore.

1/2" extension tap with aerator.

Robinet de service 1/2" avec aérateur.

Кран хозяйственный, с аэратором, подсоединение 1/2".



Finitura / finishing / finition / Покрытие

CR € 26,00

30 kg  
box pcs. 60

Vitone 1/2  
1/2 head work

14 CR 0285

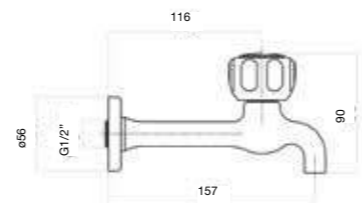


Rubinetto prolungato 1/2".

1/2" extension tap.

Robinet de service 1/2".

Кран хозяйственный, подсоединение 1/2".



Finitura / finishing / finition / Покрытие

CR € 24,00

12,9 kg  
box pcs. 25

Vitone 1/2  
1/2 head work

14 CR 0318

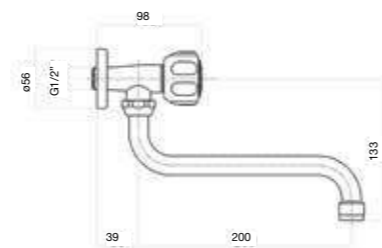


Rubinetto a snodo 1/2", canna S cm 20.

1/2" sink tap, 20 cm S-spout.

Robinet de service 1/2", bec S cm 20.

Кран хозяйственный, подсоединение 1/2".



Finitura / finishing / finition / Покрытие

CR € 33,00

8,7 kg  
box pcs. 15

Vitone 1/2  
1/2 head work

# Astro

Astro



14 CR 0322



14 CR 0318



14 CR 0323



14 CR 0283



# Termostatici

— Thermostatic mixers

Contract  
program

Finitura / finishing / finition / Покрытие

CR  
Cromo  
Chrome



Termoty  
X-Termo

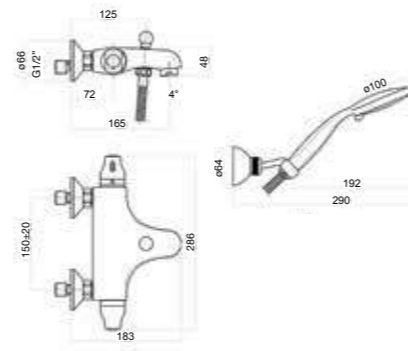
36 CR 0952

Termostatico vasca con duplex, doccia idromassaggio Siro.

Thermostatic bath mixer with shower set, Siro massage shower.

Mitigeur thermostatique bain douche avec garniture, douche hydromassage Siro.

Термостат для ванны, внешний монтаж, с душевым гарнитуром.



36 CR 0960  
Miscelatore vasca senza duplex.  
Bath mixer without shower set.  
Mitigeur bain douche sans garniture.  
Смеситель для ванны без душевого гарнитура.

Finitura / finishing / finition / Покрытие  
CR € 152,00

Vitone ceramico, 1/4 di giro  
1/4 turn ceramic head work

29,7 kg  
box pcs. 10

Finitura / finishing / finition / Покрытие

CR € 178,00

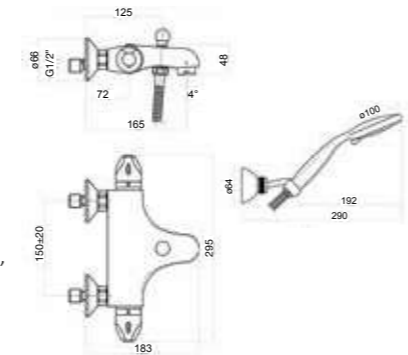
36 CR 0953

Termostatico vasca ecostop, con duplex, doccia idromassaggio Siro.

Thermostatic bath mixer ecosystem with shower set, Siro massage shower.

Mitigeur thermostatique bain douche mécanisme économie eau avec garniture, douche hydromassage Siro.

Термостат для ванны, внешний монтаж, с душевым гарнитуром, ecosystem.



36 CR 0961  
Termostatico vasca ecostop senza duplex.  
Thermostatic bath mixer ecosystem w/o shower set.  
Mitigeur thermostatique bain douche mécanisme économie eau sans garniture.  
Термостат для ванны, внешний монтаж ecosystem.

Finitura / finishing / finition / Покрытие  
CR € 153,00

Vitone ceramico, 1/4 di giro  
1/4 turn ceramic head work

20,8 kg  
box pcs. 10

Finitura / finishing / finition / Покрытие

CR € 179,00

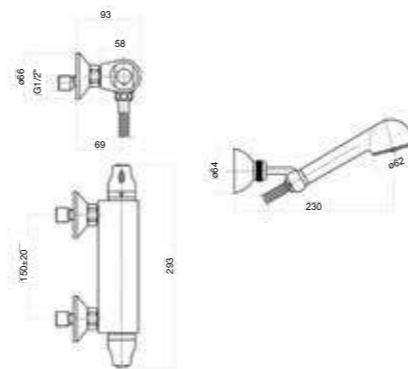
36 CR 0972

Termostatico doccia con duplex, doccia Beta.

Thermostatic shower mixer with shower set, Beta shower.

Mitigeur thermostatique douche avec garniture, douche Beta.

Термостат для душа, внешний монтаж, с душевым гарнитуром.



36 CR 0970  
Termostatico doccia senza duplex.  
Thermostatic shower mixer without shower set.  
Mitigeur thermostatique douche sans garniture.  
Термостат для душа, внешний монтаж.

Finitura / finishing / finition / Покрытие  
CR € 139,00

Vitone ceramico, 1/4 di giro  
1/4 turn ceramic head work

26,1 kg  
box pcs. 10

Finitura / finishing / finition / Покрытие

CR € 156,00

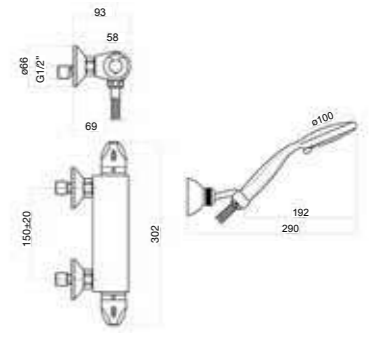
36 CR 0902

Termostatico doccia ecostop con duplex, doccia idromassaggio Siro.

Thermostatic shower mixer ecosystem with shower set, Siro massage shower.

Mitigeur thermostatique douche mécanisme économie eau avec garniture, douche hydromassage Siro.

Термостат для душа, внешнимонтаж с душевым гарнитуром ecosystem.



36 CR 0911  
Termostatico doccia ecostop senza duplex.  
Thermostatic shower mixer ecosystem w/o shower set.  
Mitigeur thermostatique douche mécanisme économie eau sans garniture.  
Термостат для душа, внешнимонтаж ecosystem

Finitura / finishing / finition / Покрытие  
CR € 140,00

Vitone ceramico, 1/4 di giro  
1/4 turn ceramic head work

Finitura / finishing / finition / Покрытие

CR € 166,00

25,8 kg  
box pcs. 10

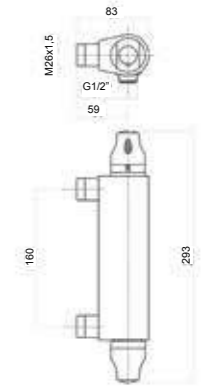
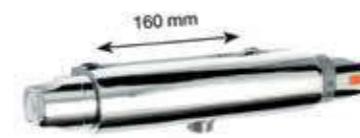
36 CR 0982

Termostatico doccia senza duplex, attacco centrale inferiore M 26X1,5 interasse mm 160.

Thermostatic shower mixer mm 160 without shower set, lower central connection M26x1,5.

Mitigeur thermostatique douche sans garniture, entraxe mm 160, connection centrale inférieure M26x1,5.

Термостат для душа, внешний монтаж 160 мм. без душевого гарнитура, подсоединение M.26x1,5.



Finitura / finishing / finition / Покрытие

CR € 149,00

21,3 kg  
box pcs. 10

Vitone ceramico, 1/4 di giro  
1/4 turn ceramic head work

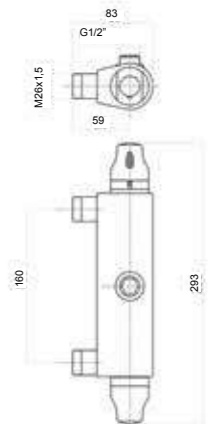
36 CR 0986

Termostatico doccia senza colonna, interasse mm 160, attacco superiore centrale.

Thermostatic shower mixer mm 160, without rail, upper central connection.

Mitigeur thermostatique douche entraxe mm 160, sans colonne, connection centrale supérieure.

Термостат для душа, внешний монтаж без душевого гарнитура.



Finitura / finishing / finition / Покрытие

CR € 149,00

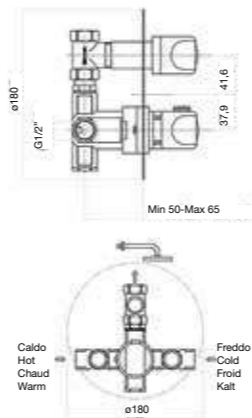
21,3 kg  
box pcs. 10

Vitone ceramico, 1/4 di giro  
1/4 turn ceramic head work

36 CR 0924



Miscelatore termostatico doccia incasso.  
Built-in thermostatic shower mixer.  
Mitigeur thermostatique douche à encastrer.  
Термостат для душа, скрытый монтаж.



Finitura / finishing / finition / Покрытие

CR € 197,00

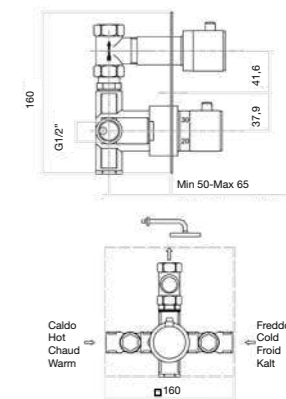
21,5 kg box pcs. 10

Vitone ceramico, 1/4 di giro  
1/4 turn ceramic head work

31 CR 0990



Miscelatore termostatico doccia incasso.  
Built-in thermostatic shower mixer.  
Mitigeur thermostatique douche à encastrer.  
Термостат для душа, скрытый монтаж.



Finitura / finishing / finition / Покрытие

CR € 206,00

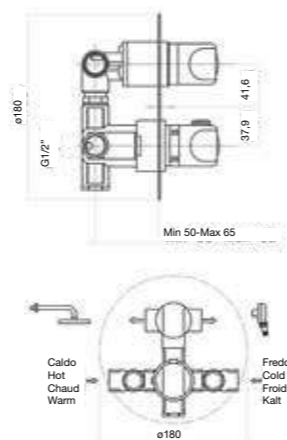
20,8 kg box pcs. 10

Vitone ceramico, 1/4 di giro  
1/4 turn ceramic head work

36 CR 0927



Miscelatore termostatico doccia incasso due uscite.  
2-way built-in thermostatic shower mixer.  
Mitigeur thermostatique douche à encastrer deux sorties.  
Термостат для душа на 2 выхода, скрытый монтаж.



Finitura / finishing / finition / Покрытие

CR € 213,00

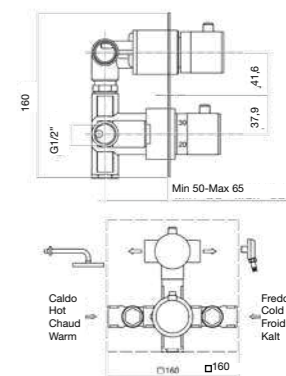
21,6 kg box pcs. 10

Vitone ceramico, 1/4 di giro  
1/4 turn ceramic head work

31 CR 0993



Miscelatore termostatico doccia incasso due uscite.  
2-way built-in thermostatic shower mixer.  
Mitigeur thermostatique douche à encastrer, deux sorties.  
Термостат для душа на 2 выхода, скрытый монтаж.



Finitura / finishing / finition / Покрытие

CR € 222,00

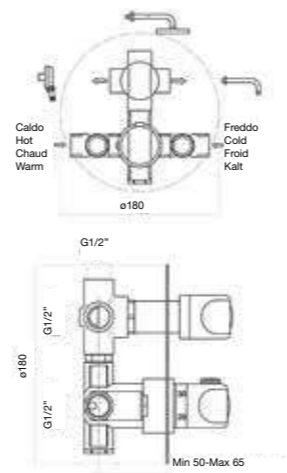
22,9 kg box pcs. 10

Vitone ceramico, 1/4 di giro  
1/4 turn ceramic head work

36 CR 0921



Miscelatore termostatico doccia incasso tre uscite.  
3-way built-in thermostatic shower mixer.  
Mitigeur thermostatique douche à encastrer, trois sorties.  
Термостат для душа на 3 выхода, скрытый монтаж.



Finitura / finishing / finition / Покрытие

CR € 258,00

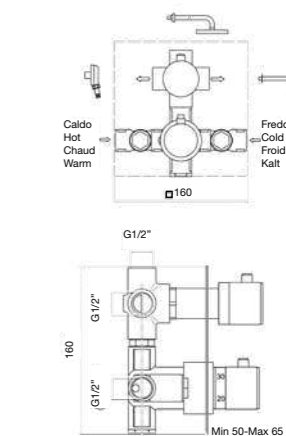
18,55 kg box pcs. 5

Vitone ceramico, 1/4 di giro  
1/4 turn ceramic head work

31 CR 0940



Miscelatore termostatico doccia incasso, tre uscite.  
3-way built-in thermostatic shower mixer.  
Mitigeur thermostatique douche à encastrer, trois sorties.  
Термостат для душа на 3 выхода, скрытый монтаж.



Finitura / finishing / finition / Покрытие

CR € 272,00

25 kg box pcs. 10

Vitone ceramico, 1/4 di giro  
1/4 turn ceramic head work

# Margot Sky

— SWAROVSKI® è un marchio commerciale registrato di Swarovski AG

## Retró program

Finitura / finishing / finition / Покрытие

CR  
Cromo  
Chrome

CO  
Cromo / Oro  
Chrome / Gold

OO  
Oro  
Gold

ZZ  
Vecchio bronzo  
Old bronze

RR  
Vecchio rame  
Old copper

OZ  
Oro opaco spazzolato  
Brushed gold

OR  
Oro rosa  
Rose gold



01 CR 0622 01

Monoblocco lavabo, scarico automatico 1"1/4, flex cm 35 3/8"F.

One hole basin mixer, 1"1/4 automatic pop up waste, flex cm 35 3/8"F.

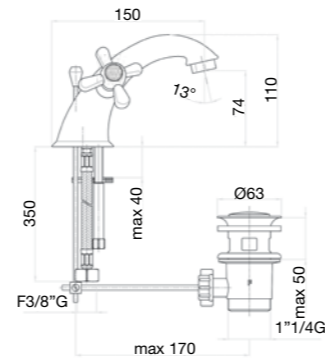
Mélangeur monotrou lavabo, vidage automatique 1"1/4, flexibles cm 35 3/8"F.

Смеситель для умывальника на 1 отверстие, авт. донный клапан 1"1/4, гибкая подводка 35 см 3/8"F.



Finitura / finishing / finition / Покрытие

CR	€ 153,00
CO	€ 168,00
RR / ZZ	€ 214,00
OO	€ 306,00
OZ / OR	€ 383,00



Vitone ceramico, 1/4 di giro  
1/4 turn ceramic head work

01 CR 0622 02

11,3 kg  
box pcs. 5

01 CR 0628

Batteria lavabo, scarico automatico 1"1/4.

3-hole basin mixer, 1"1/4 automatic pop up waste.

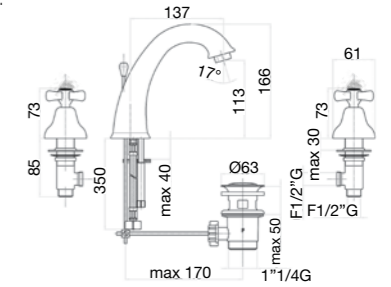
Mélangeur lavabo à 3 trous, vidage automatique 1"1/4.

Смеситель для умывальника на 3 отверстия, авт. донный клапан 1"1/4.



Finitura / finishing / finition / Покрытие

CR	€ 192,00
CO	€ 211,00
RR / ZZ	€ 268,00
OO	€ 383,00
OZ / OR	€ 480,00



Vitone ceramico, 1/4 di giro  
1/4 turn ceramic head work

14,2 kg  
box pcs. 5

01 CR 0623 01

Monoforo lavabo collo alto, scarico automatico 1"1/4, flex cm 35 3/8"F.

High basin mixer, 1"1/4 automatic pop up waste, flex cm 35 3/8"F.

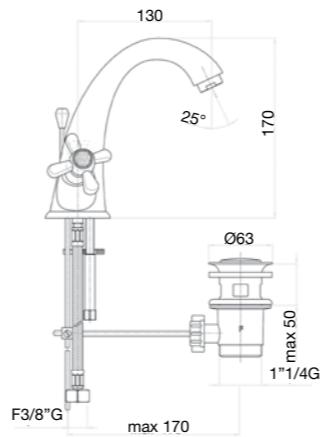
Mélangeur monotrou lavabo, bec haut, vidage automatique 1"1/4, flexibles cm 35 3/8"F.

Смеситель высокий для умывальника на 1 отверстие, авт. донный клапан 1"1/4, гибкая подводка 35 см 3/8"F.



Finitura / finishing / finition / Покрытие

CR	€ 166,00
CO	€ 183,00
RR / ZZ	€ 232,00
OO	€ 332,00
OZ / OR	€ 415,00



Vitone ceramico, 1/4 di giro  
1/4 turn ceramic head work

01 CR 0623 02

13,05 kg  
box pcs. 5

01 CR 0637

Batteria lavabo, scarico automatico 1"1/4.

3-hole basin mixer, 1"1/4 automatic pop up waste.

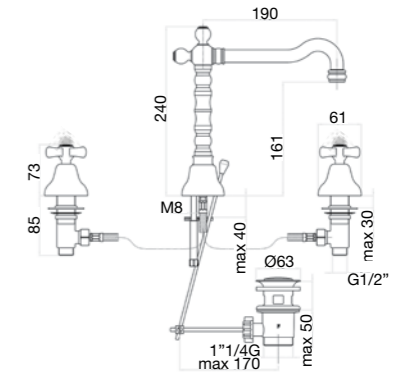
Mélangeur lavabo à 3 trous, vidage automatique 1"1/4.

Смеситель для умывальника на 3 отверстия, авт. донный клапан 1"1/4.



Finitura / finishing / finition / Покрытие

CR	€ 258,00
CO	€ 284,00
RR / ZZ	€ 361,00
OO	€ 515,00
OZ / OR	€ 645,00



Vitone ceramico, 1/4 di giro  
1/4 turn ceramic head work

14 kg  
box pcs. 5

01 CR 0625 01

Monoforo lavabo, scarico automatico 1"1/4, flex cm 35 3/8"F.

One hole basin mixer, 1"1/4 automatic pop up waste, flex cm 35 3/8"F.

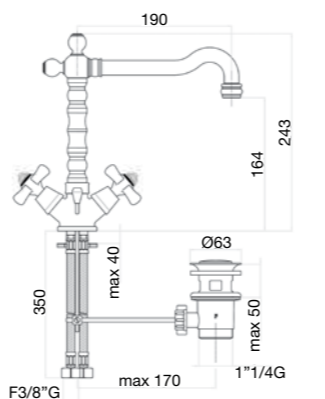
Mélangeur monotrou lavabo, vidage automatique 1"1/4, flexibles cm 35 3/8"F.

Смеситель для умывальника на 1 отверстие, излив "ретро", авт. донный клапан 1"1/4, гибкая подводка 35 см 3/8"F.



Finitura / finishing / finition / Покрытие

CR	€ 193,00
CO	€ 212,00
RR / ZZ	€ 270,00
OO	€ 386,00
OZ / OR	€ 483,00



Vitone ceramico, 1/4 di giro  
1/4 turn ceramic head work

01 CR 0625 02

11,2 kg  
box pcs. 5

01 CR 0636

Batteria lavabo a muro, bocca 210 mm.

Wall basin mixer, spout 210 mm.

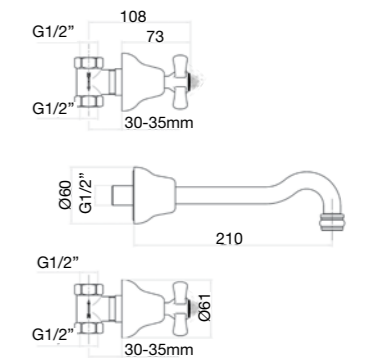
Mélangeur lavabo mural, bec 210 mm.

Смеситель для умывальника на 3 отверстия, скрытый настенный монтаж.



Finitura / finishing / finition / Покрытие

CR	€ 192,00
CO	€ 212,00
RR / ZZ	€ 269,00
OO	€ 384,00
OZ / OR	€ 480,00



Vitone ceramico, 1/4 di giro  
1/4 turn ceramic head work

11 kg  
box pcs. 5

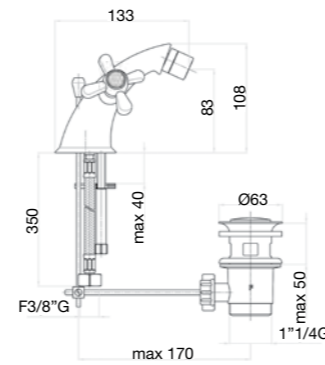
01 CR 0632 01

Monoblocco bidet, scarico aut. 1"1/4, tubi flex cm. 35 3/8"F.

One hole bidet mixer, 1"1/4 automatic pop up waste, flex cm 35 3/8"F.

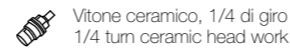
Mélangeur monotrou bidet, vidage automatique 1"1/4, flexibles cm 35 3/8"F.

Смеситель для биде на 1 отверстие, авт. донный клапан 1"1/4, гибкая подводка 35 см 3/8"F.



Finitura / finishing / finition / Покрытие

CR	€ 153,00
CO	€ 168,00
RR / ZZ	€ 214,00
OO	€ 306,00
OZ / OR	€ 383,00



1/2 01 CR 0632 02

13 kg  
box pcs. 5

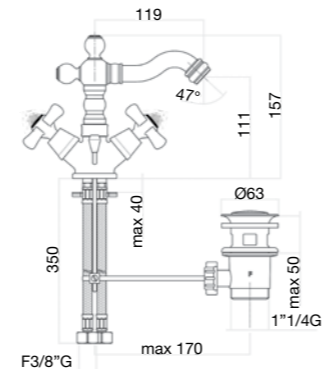
01 CR 0635 01

Monoforo bidet, scarico aut. 1"1/4, tubi flex cm 35 3/8"F.

One hole bidet mixer, 1"1/4 automatic pop up waste, flex cm 35 3/8"F.

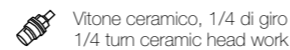
Mélangeur monotrou bidet, bec rétro, vidage automatique 1"1/4, flexibles cm 35 3/8"F.

Смеситель для биде на 1 отверстие, авт. донный клапан 1"1/4, гибкая подводка 35 см 3/8"F.



Finitura / finishing / finition / Покрытие

CR	€ 174,00
CO	€ 197,00
RR / ZZ	€ 251,00
OO	€ 359,00
OZ / OR	€ 435,00



1/2 01 CR 0635 02

10,85 kg  
box pcs. 5

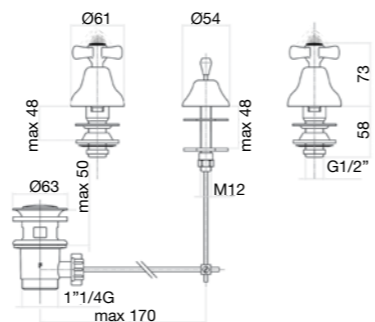
01 CR 0638

Batteria bidet, scarico aut. 1"1/4.

3-hole bidet mixer, 1"1/4 automatic pop up waste.

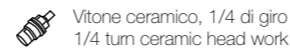
Mélangeur bidet à 3 trous, vidage automatique 1"1/4.

Смеситель для биде на 3 отверстия, авт. донный клапан 1"1/4.



Finitura / finishing / finition / Покрытие

CR	€ 155,00
CO	€ 171,00
RR / ZZ	€ 217,00
OO	€ 310,00
OZ / OR	€ 388,00



8,8 kg  
box pcs. 5

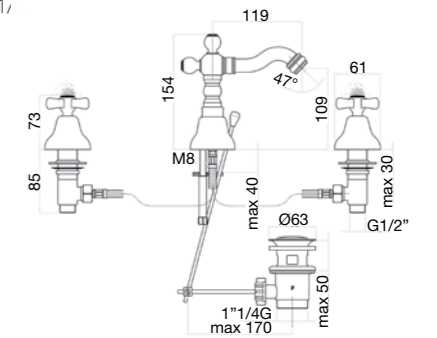
01 CR 0647

Batteria bidet, scarico aut. 1"1/4.

3-hole bidet mixer, 1"1/4 automatic pop up waste.

Mélangeur bidet à 3 trous, vidage automatique 1"1/4.

Смеситель для биде на 3 отверстия, авт. донный клапан 1"1/4.



Finitura / finishing / finition / Покрытие

CR	€ 244,00
CO	€ 268,00
RR / ZZ	€ 342,00
OO	€ 488,00
OZ / OR	€ 610,00



14,2 kg  
box pcs. 5

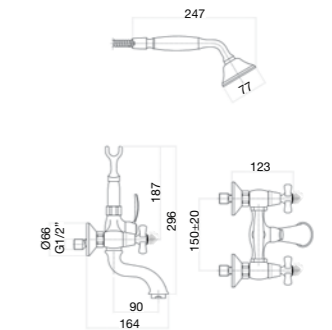
01 CR 0600

Gruppo vasca esterno con flex e doccia ceramica bianca.

External bath mixer with flex and white ceramic shower.

Mélangeur bain douche extérieur avec flexible et douche avec poignée en céramique.

Смеситель для ванны, внешний монтаж, гибкая подводка, ручной душ из керамики.

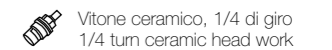


Finitura / finishing / finition / Покрытие

CR	€ 240,00
CO	€ 265,00
RR / ZZ	€ 409,00
OO	€ 481,00
OZ / OR	€ 600,00

Finitura / finishing / finition / Покрытие

CR	€ 233,00
CO	€ 257,00
RR / ZZ	€ 396,00
OO	€ 467,00
OZ / OR	€ 583,00



16,05 kg  
box pcs. 5

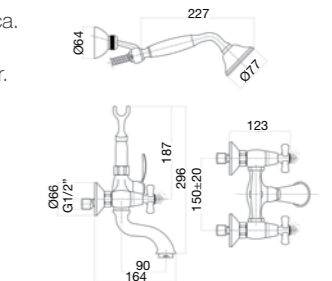
01 CR 0601

Gruppo vasca esterno con duplex, doccia ceramica bianca.

External bath mixer with shower set, white ceramic shower.

Mélangeur bain douche extérieur avec garniture, douche avec poignée en céramique.

Смеситель для ванны, внешний монтаж, душевой набор, белый душ из керамики.

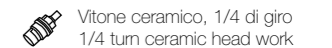


Finitura / finishing / finition / Покрытие

CR	€ 249,00
CO	€ 274,00
RR / ZZ	€ 423,00
OO	€ 498,00
OZ / OR	€ 623,00

Finitura / finishing / finition / Покрытие

CR	€ 242,00
CO	€ 266,00
RR / ZZ	€ 411,00
OO	€ 484,00
OZ / OR	€ 605,00



16 kg  
box pcs. 5

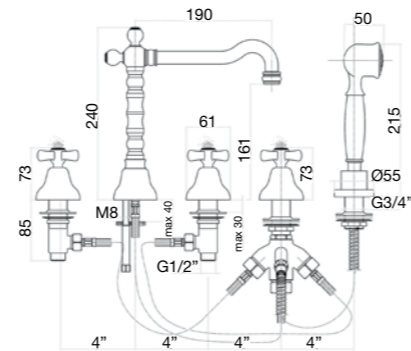
01 CR 0607

Batteria bordo vasca 5 fori.

5-hole bath mixer.

Mélangeur bain douche à 5 trous.

Смеситель наборный для ванны на 5 отверстий.



Finitura / finishing / finition / Покрытие

CR	€ 424,00
CO	€ 467,00
RR / ZZ	€ 721,00
OO	€ 849,00
OZ / OR	€ 1.060,00

Vitone ceramico, 1/4 di giro  
1/4 turn ceramic head work

22,8 kg  
box pcs. 5

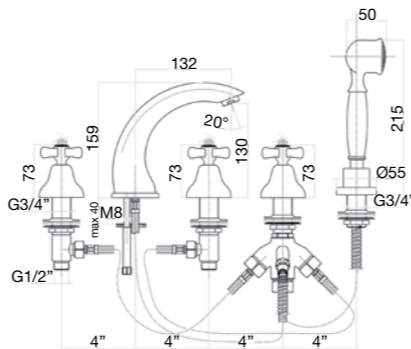
01 CR 0608

Batteria bordo vasca 5 fori.

5-hole bath mixer.

Mélangeur bain douche à 5 trous.

Смеситель наборный для ванны на 5 отверстий.



Finitura / finishing / finition / Покрытие

CR	€ 390,00
CO	€ 429,00
RR / ZZ	€ 663,00
OO	€ 780,00
OZ / OR	€ 975,00

Vitone ceramico, 1/4 di giro  
1/4 turn ceramic head work

25,95 kg  
box pcs. 5

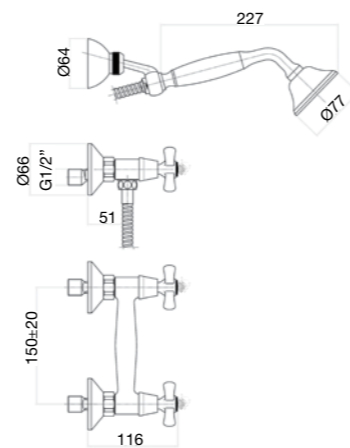
01 CR 0602

Gruppo doccia esterno con duplex, doccia ceramica bianca.

External shower mixer with shower set, white ceramic shower.

Mélangeur douche extérieur avec garniture, douche céramique.

Смеситель для душа, внешний монтаж, душевой набор, ручной керамический душ.



Finitura / finishing / finition / Покрытие

CR	€ 161,00
CO	€ 177,00
RR / ZZ	€ 274,00
OO	€ 322,00
OZ / OR	€ 403,00

Vitone ceramico, 1/4 di giro  
1/4 turn ceramic head work

10,75 kg  
box pcs. 5

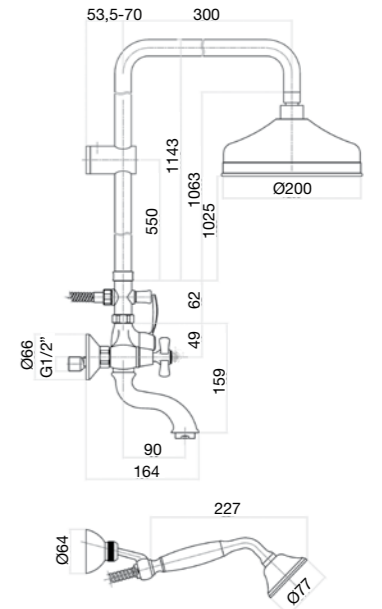
01 CR 0615

Gruppo vasca esterno con deviatore, colonna cm 114, soffione tondo in ottone Ø 200 mm e duplex, doccia ceramica bianca.

External bath mixer with diverter, cm 114 rail, Ø 200 mm round brass shower head, shower set, white ceramic shower.

Mélangeur bain douche extérieur avec inverseur, colonne cm 114 et pomme de douche ronde en laiton Ø 200 mm, garniture, douche avec poignée en céramique.

Смес.д/ванны, внешн.монтаж, переключатель, стойка 100см, лейка Ø200мм, душ.набор, белый душ из керамики.



Finitura / finishing / finition / Покрытие

CR	€ 519,00
CO	€ 571,00
RR / ZZ	€ 882,00
OO	€ 1.038,00
OZ / OR	€ 1.298,00

Vitone ceramico, 1/4 di giro  
1/4 turn ceramic head work

6 kg  
box pcs. 1

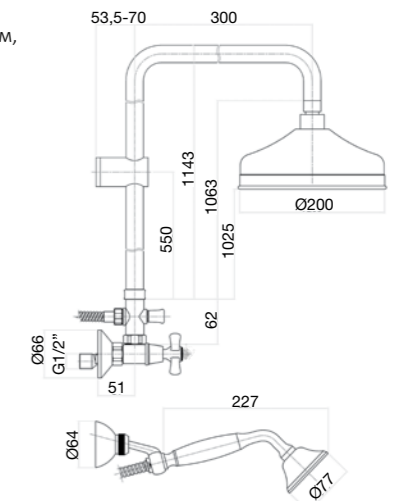
01 CR 0620

Gruppo doccia esterno con deviatore, colonna cm 114, soffione tondo in ottone Ø 200 mm, duplex, doccia ceramica bianca.

External shower mixer with diverter, cm 114 rail, Ø 200 mm round brass shower head, shower set, white ceramic shower.

Mélangeur douche extérieur avec inverseur, colonne cm 114, pomme de douche ronde en laiton Ø 200 mm, garniture, douche avec poignée en céramique.

Смес. д/душа, внешн.монтаж, переключ., стойка 114см, лейка Ø200мм, душ.набор, ручн. белый душ из керамики.



Finitura / finishing / finition / Покрытие

CR	€ 469,00
CO	€ 516,00
RR / ZZ	€ 798,00
OO	€ 939,00
OZ / OR	€ 1.173,00

Vitone ceramico, 1/4 di giro  
1/4 turn ceramic head work

5,2 kg  
box pcs. 1

01 CR 0936

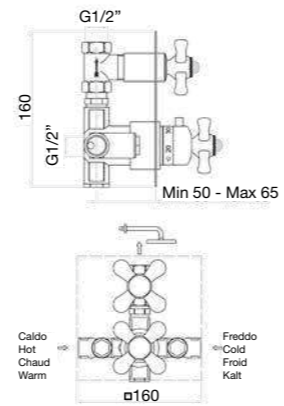


Miscelatore termostatico doccia incasso, un'uscita.

1-way built-in thermostatic shower mixer.

Mitigeur thermostatique douche à encastrer.

Термостат для душа, скрытый монтаж.



Finitura / finishing / finition / Покрытие

CR	€ 277,00
CO	€ 333,00
RR / ZZ	€ 498,00
OO	€ 554,00
OZ / OR	€ 693,00

Vitone ceramico, 1/4 di giro  
1/4 turn ceramic head work

20 kg  
box pcs. 5

01 CR 0937

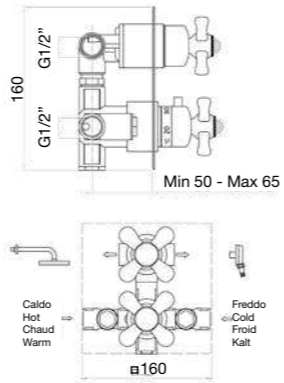


Miscelatore termostatico doccia incasso, due uscite.

2-way built-in thermostatic shower mixer.

Mitigeur thermostatique douche à encastrer, deux sorties.

Термостат для душа на 2 выхода, скрытый монтаж.



Finitura / finishing / finition / Покрытие

CR	€ 291,00
CO	€ 349,00
RR / ZZ	€ 523,00
OO	€ 581,00
OZ / OR	€ 728,00

Vitone ceramico, 1/4 di giro  
1/4 turn ceramic head work

22 kg  
box pcs. 5

01 CR 0938

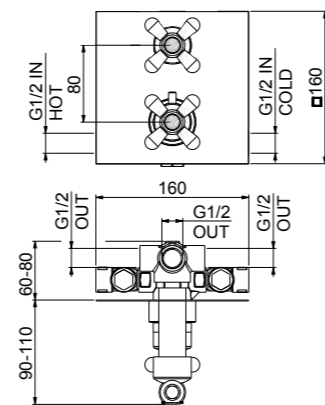


Miscelatore termostatico doccia incasso, tre uscite.

3-way built-in thermostatic shower mixer.

Mitigeur thermostatique douche à encastrer, trois sorties.

Термостат для душа на 3 выхода, скрытый монтаж.



Finitura / finishing / finition / Покрытие

CR	€ 342,00
CO	€ 411,00
RR / ZZ	€ 616,00
OO	€ 685,00
OZ / OR	€ 855,00

Vitone ceramico, 1/4 di giro  
1/4 turn ceramic head work

24 kg  
box pcs. 5

# Margot Sky



01 CR 0623



01 CR 0628



01 CR 0636



01 CR 0600



# Jafar Sky

— SWAROVSKI® è un marchio commerciale registrato di Swarovski AG

## Retró program

Finitura / finishing / finition / Покрытие

CR  
Cromo  
Chrome

CO  
Cromo / Oro  
Chrome / Gold

OO  
Oro  
Gold

ZZ  
Vecchio bronzo  
Old bronze

RR  
Vecchio rame  
Old copper

OZ  
Oro opaco spazzolato  
Brushed gold

OR  
Oro rosa  
Rose gold



84 CR 5221 01



Miscelatore lavabo, scarico aut. 1"1/4, tubi flex cm 35 3/8"F.

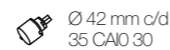
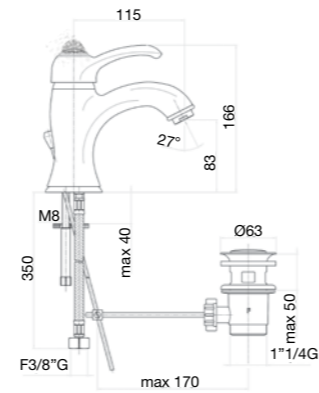
One hole basin mixer, 1"1/4 automatic pop up waste, flex cm 35 3/8"F.

Mitigeur lavabo, vidage automatique 1"1/4, flexibles cm 35 3/8"F.

Смеситель для умывальника, авт.донный клапан 1"1/4, гибкая подводка 35 см 3/8"F.

Finitura / finishing / finition / Покрытие

CR	€ 125,00
CO	€ 138,00
RR / ZZ	€ 176,00
OO	€ 213,00
OZ / OR	€ 313,00



1/2 84 CR 5221 02

22,8 kg box pcs. 10

84 CR 5321 01



Miscelatore bidet, scarico aut. 1"1/4, tubi flex cm 35 3/8"F.

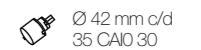
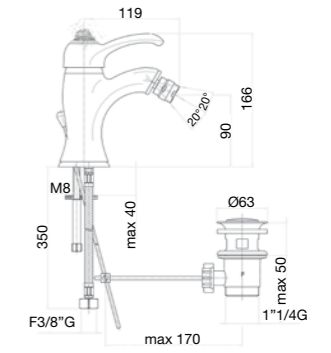
One hole bidet mixer, 1"1/4 automatic pop up waste, flex cm 35 3/8"F.

Mitigeur bidet, vidage automatique 1"1/4, flexibles cm 35 3/8"F.

Смеситель для биде, авт.донный клапан 1"1/4, гибкая подводка 35 см 3/8"F.

Finitura / finishing / finition / Покрытие

CR	€ 125,00
CO	€ 138,00
RR / ZZ	€ 176,00
OO	€ 213,00
OZ / OR	€ 313,00



1/2 84 CR 5321 02

21,6 kg box pcs. 10

84 CR 2245 01



Miscelatore lavabo canna antica, scarico aut. 1"1/4, tubi flex cm 35 3/8"F.

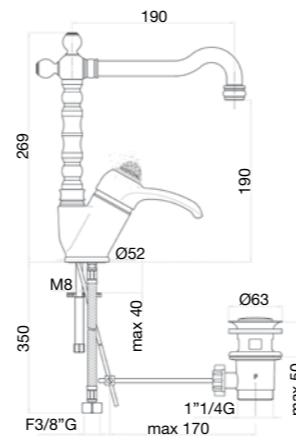
One hole basin mixer, old style spout, 1"1/4 automatic pop up waste, flex cm 35 3/8"F.

Mitigeur lavabo, bec rétro, vidage automatique 1"1/4, flexibles cm 35. 3/8"F

Смеситель для умывальника, авт.донный клапан 1"1/4, гибкая подводка 35 см 3/8"F.

Finitura / finishing / finition / Покрытие

CR	€ 167,00
CO	€ 184,00
RR / ZZ	€ 234,00
OO	€ 285,00
OZ / OR	€ 418,00



1/2 84 CR 2245 02

18 kg box pcs. 10

84 CR 5314 01



Miscelatore bidet, scarico aut. 1"1/4, tubi flex cm 35 3/8"F.

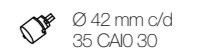
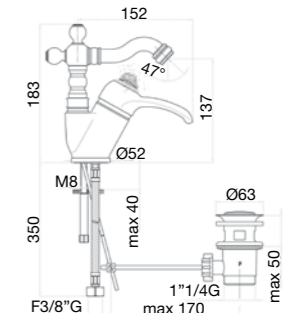
One hole bidet mixer, 1"1/4 automatic pop up waste, flex cm 35 3/8"F.

Mitigeur bidet, vidage automatique 1"1/4, flexibles cm 35 3/8"F.

Смеситель для биде, авт.донный клапан 1"1/4, гибкая подводка 35 см 3/8"F.

Finitura / finishing / finition / Покрытие

CR	€ 158,00
CO	€ 174,00
RR / ZZ	€ 221,00
OO	€ 269,00
OZ / OR	€ 395,00



1/2 84 CR 5314 02

14 kg box pcs. 10

84 CR 5225 01



Miscelatore lavabo, canna antica, testa cieca, tubi flex cm 35 3/8"F.

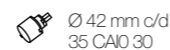
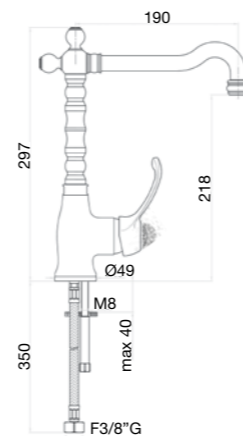
One hole basin mixer, old style spout, without pop up waste, flex cm 35 3/8"F.

Mitigeur lavabo, bec rétro, sans vidage, flexibles cm 35 3/8"F.

Смеситель для умывальника, без донного клапана, гибкая подводка 35 см 3/8"F.

Finitura / finishing / finition / Покрытие

CR	€ 167,00
CO	€ 184,00
RR / ZZ	€ 234,00
OO	€ 285,00
OZ / OR	€ 418,00



1/2 84 CR 5225 02

17 kg box pcs. 10

84 CR 5104



Miscelatore vasca con duplex, doccia ceramica bianca.

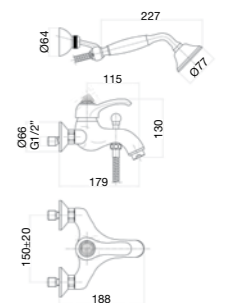
Bath mixer with shower set, white ceramic shower.

Mitigeur bain douche avec garniture, douche avec poignée en céramique.

Смеситель для ванны, душевой набор.

Finitura / finishing / finition / Покрытие

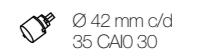
CR	€ 178,00
CO	€ 196,00
RR / ZZ	€ 303,00
OO	€ 356,00
OZ / OR	€ 445,00



84 CR 5101  
Miscelatore vasca senza duplex  
Bath mixer without shower set  
Mitigeur bain douche sans garniture  
Смеситель для ванны без душевого гарнитура

Finitura / finishing / finition / Покрытие

CR	€ 139,00
CO	€ 153,00
RR / ZZ	€ 195,00
OO	€ 237,00
OZ / OR	€ 348,00



29,5 kg box pcs. 10

84 CR 5105

Miscelatore bordo vasca 3 fori con doccia retro.

3-hole bath mixer with old style shower.

Mitigeur bain douche à 3 trous avec douche rétro.

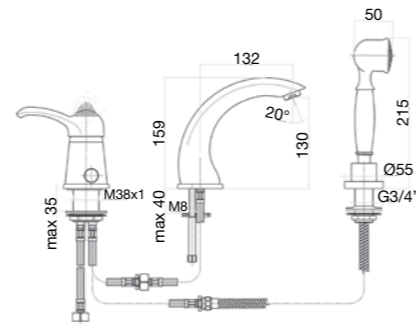
Смеситель наобртный для ванны на 3 отверстия.



Finitura / finishing / finition / Покрытие

CR	€ 296,00
CO	€ 326,00
RR / ZZ	€ 503,00
OO	€ 592,00
OZ / OR	€ 740,00

22,25 kg  
box pcs. 5



Ø 42 mm s/d  
35 CAIO 31

84 CR 5134

Miscelatore doccia incasso con deviatore, 2 uscite.

2-way built-in shower mixer with diverter.

Mitigeur douche à encastrer avec inverseur, deux sorties.

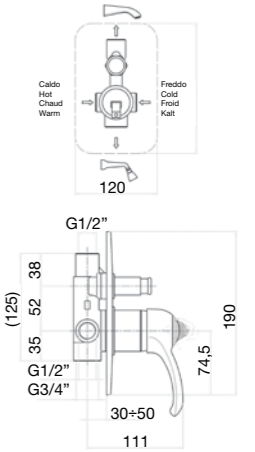
Смеситель для душа, скрытый монтаж, авт.переключатель ванна/душ.



Finitura / finishing / finition / Покрытие

CR	€ 129,00
CO	€ 141,00
RR / ZZ	€ 180,00
OO	€ 219,00
OZ / OR	€ 323,00

14,7 kg  
box pcs. 10



Ø 42 mm s/d  
35 CAIO 31

84 CR 5127

Miscelatore doccia esterno con duplex, doccia retro.

External shower mixer with shower set, old style shower.

Mitigeur douche extérieur avec garniture, douche rétro.

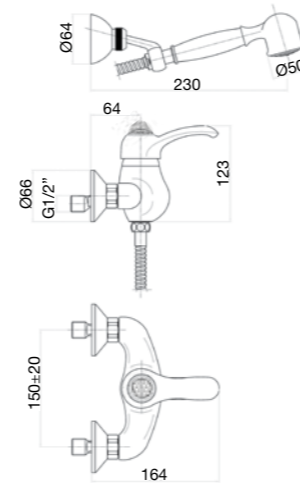
Смеситель для душа, внешний монтаж, душевой набор.



Finitura / finishing / finition / Покрытие

CR	€ 139,00
CO	€ 153,00
RR / ZZ	€ 237,00
OO	€ 279,00
OZ / OR	€ 348,00

27,3 kg  
box pcs. 10



Ø 42 mm s/d  
35 CAIO 31

84 CR 5130

Miscelatore doccia incasso.

Built-in shower mixer.

Mitigeur douche à encastrer.

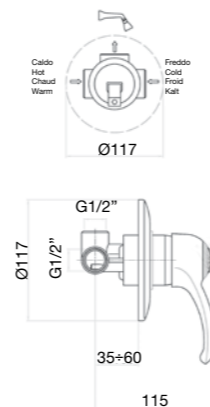
Смеситель для душа, скрытый монтаж.



Finitura / finishing / finition / Покрытие

CR	€ 73,00
CO	€ 81,00
RR / ZZ	€ 103,00
OO	€ 125,00
OZ / OR	€ 183,00

9 kg  
box pcs. 10



Ø 42 mm s/d  
35 CAIO 31

# Imperiale Black

## Retró program

Finitura / finishing / finition / Покрытие

CR  
Cromo  
Chrome

CO  
Cromo / Oro  
Chrome / Gold

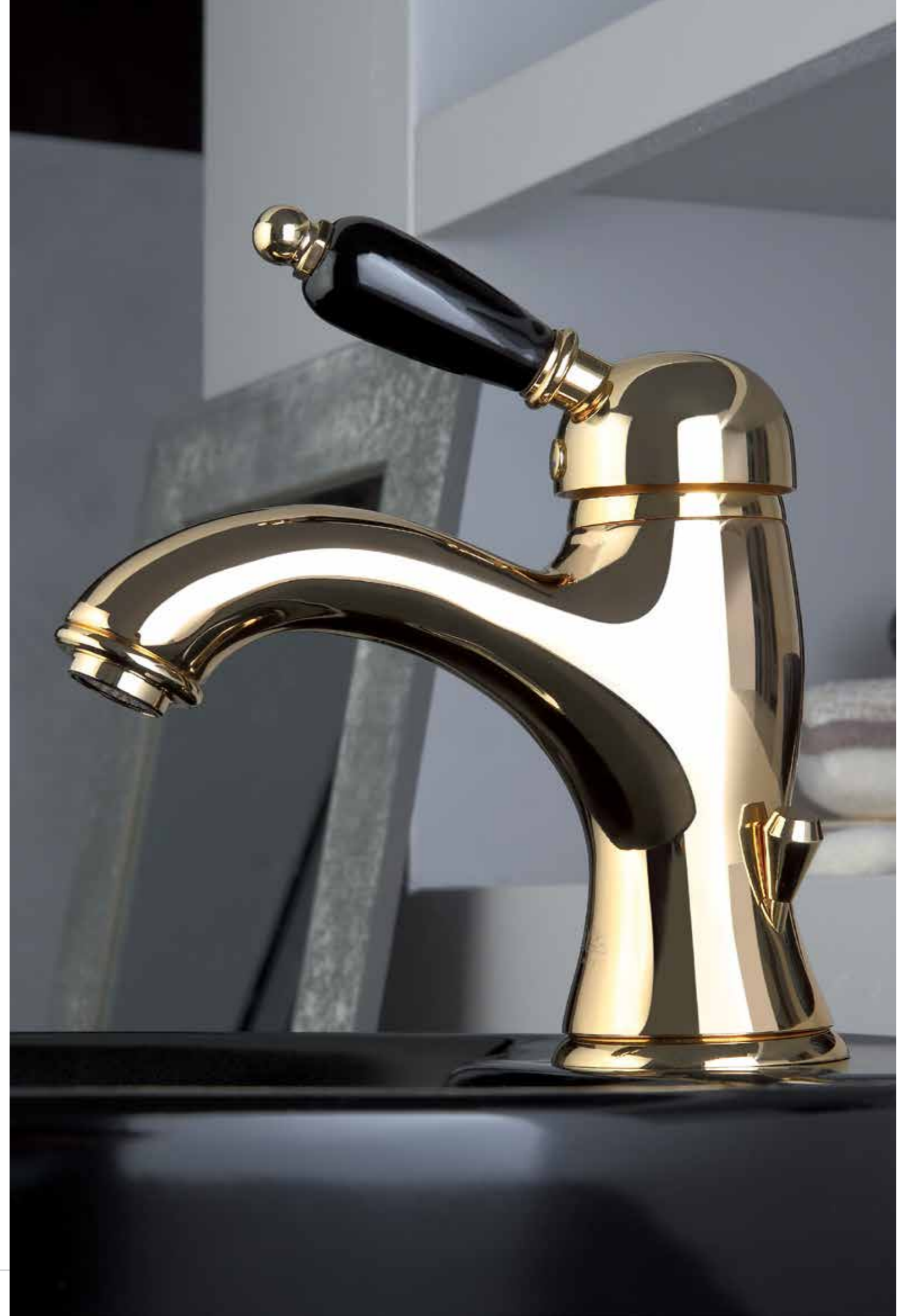
OO  
Oro  
Gold

ZZ  
Vecchio bronzo  
Old bronze

RR  
Vecchio rame  
Old copper

OZ  
Oro opaco spazzolato  
Brushed gold

OR  
Oro rosa  
Rose gold



89 CR 5221 01



Miscelatore lavabo, scarico aut. 1"1/4, tubi flex cm 35 3/8"F.

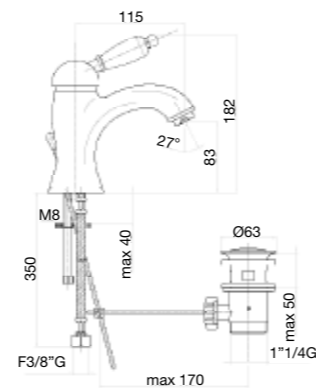
One hole basin mixer, 1"1/4 automatic pop up waste, flex cm 35 3/8"F.

Mitigeur lavabo, vidage automatique 1"1/4, flexibles cm 35 3/8"F.

Смеситель для умывальника, авт.донный клапан 1"1/4, гибкая подводка 35 см 3/8" F.

Finitura / finishing / finition / Покрытие

CR	€ 118,00
CO	€ 130,00
RR / ZZ	€ 165,00
OO	€ 200,00
OZ / OR	€ 295,00



Ø 42 mm c/d  
35 CAIO 30

1/2 89 CR 5221 02

23 kg  
box pcs. 10

89 CR 5321 01



Miscelatore bidet, scarico aut. 1"1/4, tubi flex cm 35 3/8"F.

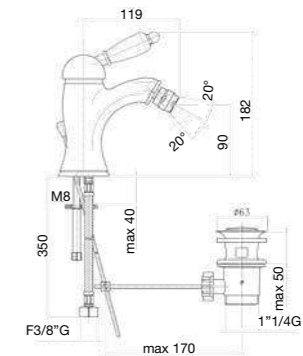
One hole bidet mixer, 1"1/4 automatic pop up waste, flex cm 35 3/8"F.

Mitigeur bidet, vidage automatique 1"1/4, flexibles cm 35 3/8"F.

Смеситель для биде, авт.донный клапан 1"1/4, гибкая подводка 35 см 3/8" F.

Finitura / finishing / finition / Покрытие

CR	€ 118,00
CO	€ 130,00
RR / ZZ	€ 165,00
OO	€ 200,00
OZ / OR	€ 295,00



Ø 42 mm c/d  
35 CAIO 30

1/2 89 CR 5321 02

21,6 kg  
box pcs. 10

89 CR 2245 01



Miscelatore lavabo canna antica, scarico aut. 1"1/4, tubi flex cm 35 3/8"F.

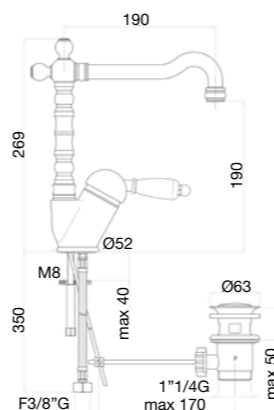
One hole basin mixer, old style spout , 1"1/4 automatic pop up waste, flex cm 35 3/8"F.

Mitigeur lavabo, bec rétro, vidage automatique 1"1/4, flexibles cm 35 3/8"F.

Смеситель для умывальника, авт.донный клапан 1"1/4, гибкая подводка 35 см 3/8" F.

Finitura / finishing / finition / Покрытие

CR	€ 160,00
CO	€ 176,00
RR / ZZ	€ 224,00
OO	€ 272,00
OZ / OR	€ 400,00



Ø 42 mm c/d  
35 CAIO 30

1/2 89 CR 2245 02

18 kg  
box pcs. 10

89 CR 5314 01



Miscelatore bidet, scarico aut. 1"1/4, tubi flex cm 35 3/8"F.

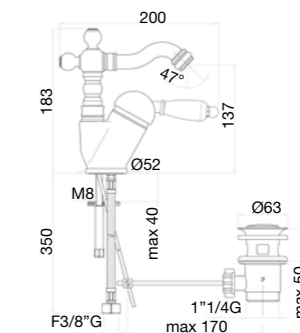
One hole bidet mixer, 1"1/4 automatic pop up waste, flex cm 35 3/8"F.

Mitigeur bidet, vidage automatique 1"1/4, flexibles cm 35 3/8"F.

Смеситель для биде, авт.донный клапан 1"1/4, гибкая подводка 35 см 3/8" F.

Finitura / finishing / finition / Покрытие

CR	€ 151,00
CO	€ 166,00
RR / ZZ	€ 211,00
OO	€ 256,00
OZ / OR	€ 378,00



Ø 42 mm c/d  
35 CAIO 30

1/2 89 CR 5314 02

14 kg  
box pcs. 10

89 CR 5225 01



Miscelatore lavabo, canna antica, testa cieca, tubi flex cm 35 3/8"F.

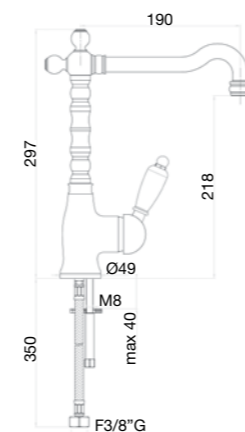
One hole basin mixer, old style spout , without pop up waste, flex cm 35 3/8"F.

Mitigeur lavabo, bec rétro, sans vidage, flexibles cm 35 3/8"F.

Смеситель для умывальника, без донного клапана, гибкая подводка 35 см 3/8" F.

Finitura / finishing / finition / Покрытие

CR	€ 160,00
CO	€ 176,00
RR / ZZ	€ 224,00
OO	€ 272,00
OZ / OR	€ 400,00



Ø 42 mm c/d  
35 CAIO 30

1/2 89 CR 5225 02

17 kg  
box pcs. 10

89 CR 5104



Miscelatore vasca con duplex, doccia ceramica nera.

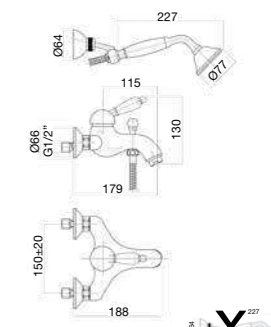
Bath mixer with shower set, black ceramic shower.

Mitigeur bain douche avec garniture, douche avec poignée en céramique.

Смеситель для ванны, душевой набор.

Finitura / finishing / finition / Покрытие

CR	€ 181,00
CO	€ 199,00
RR / ZZ	€ 253,00
OO	€ 362,00
OZ / OR	€ 453,00



89 CR 5101  
Miscelatore vasca senza duplex.  
Bath mixer without shower set.  
Mitigeur bain douche sans garniture.  
Смеситель для ванны без душевого гарнитура.

Finitura / finishing / finition / Покрытие

CR	€ 132,00
CO	€ 145,00
RR / ZZ	€ 185,00
OO	€ 224,00
OZ / OR	€ 330,00

Ø 42 mm c/d  
35 CAIO 30

29,8 kg  
box pcs. 10

89 CR 5105

Miscelatore bordo vasca 3 fori con doccia retro.

3-hole bath mixer with old style shower.

Mitigeur bain douche à 3 trous avec douche rétro.

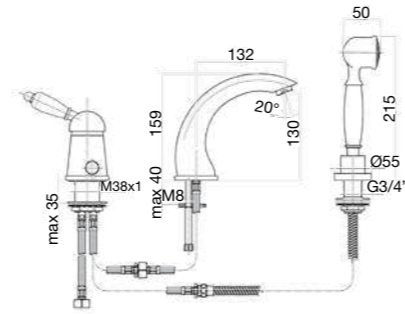
Смеситель наобртный для ванны на 3 отверстия.



Finitura / finishing / finition / Покрытие

CR	€ 288,00
CO	€ 317,00
RR / ZZ	€ 490,00
OO	€ 577,00
OZ / OR	€ 720,00

22,45 kg  
box pcs. 5



Ø 42 mm s/d  
35 CA10 31

89 CR 5134

Miscelatore doccia incasso con deviatore, 2 uscite.

2-way built-in shower mixer with diverter.

Mitigeur douche à encastrer avec inverseur, deux sorties.

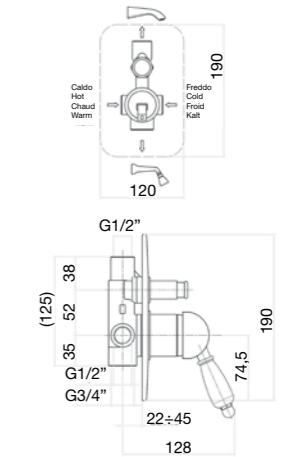
Смеситель для душа, скрытый монтаж, авт.переключатель ванна/душ.



Finitura / finishing / finition / Покрытие

CR	€ 121,00
CO	€ 133,00
RR / ZZ	€ 170,00
OO	€ 206,00
OZ / OR	€ 303,00

15,1 kg  
box pcs. 10



Ø 42 mm s/d  
35 CA10 31

89 CR 5127

Miscelatore doccia esterno con duplex, doccia retro.

External shower mixer with shower set, old style shower.

Mitigeur douche extérieur avec garniture, douche rétro.

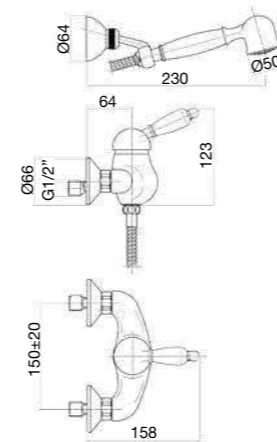
Смеситель для душа, внешний монтаж, душевой набор.



Finitura / finishing / finition / Покрытие

CR	€ 132,00
CO	€ 145,00
RR / ZZ	€ 224,00
OO	€ 264,00
OZ / OR	€ 330,00

27,7 kg  
box pcs. 10



Ø 42 mm s/d  
35 CA10 31

89 CR 5130

Miscelatore doccia incasso.

Built-in shower mixer.

Mitigeur douche à encastrer.

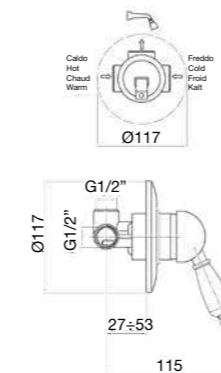
Смеситель для душа, скрытый монтаж.



Finitura / finishing / finition / Покрытие

CR	€ 66,00
CO	€ 72,00
RR / ZZ	€ 92,00
OO	€ 112,00
OZ / OR	€ 165,00

9,4 kg  
box pcs. 10



Ø 42 mm s/d  
35 CA10 31

# Imperiale Sky

— SWAROVSKI® è un marchio commerciale registrato di Swarovski AG

## Retró program

Finitura / finishing / finition / Покрытие

CR  
Cromo  
Chrome

CO  
Cromo / Oro  
Chrome / Gold

OO  
Oro  
Gold

ZZ  
Vecchio bronzo  
Old bronze

RR  
Vecchio rame  
Old copper

OZ  
Oro opaco spazzolato  
Brushed gold

OR  
Oro rosa  
Rose gold



82 CR 5221 01



Miscelatore lavabo, scarico aut. 1"1/4, tubi flex cm 35 3/8"F.

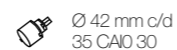
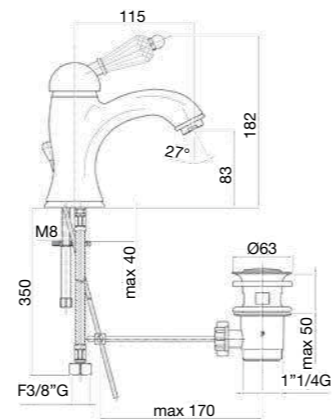
One hole basin mixer, 1"1/4 automatic pop up waste, flex cm 35 3/8"F.

Mitigeur lavabo, vidage automatique 1"1/4, flexibles cm 35 3/8"F.

Смеситель для умывальника, авт.донный клапан 1"1/4, гибкая подводка 35 см 3/8"F.

Finitura / finishing / finition / Покрытие

CR	€ 148,00
CO	€ 163,00
RR / ZZ	€ 207,00
OO	€ 252,00
OZ / OR	€ 370,00



1/2 82 CR 5221 02

23 kg box pcs. 10

82 CR 5321 01



Miscelatore bidet, scarico aut. 1"1/4, tubi flex cm 35 3/8"F.

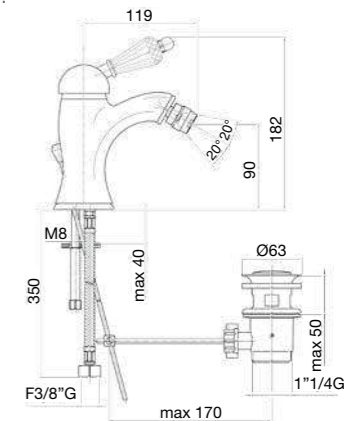
One hole bidet mixer, 1"1/4 automatic pop up waste, flex cm 35 3/8"F.

Mitigeur bidet, vidage automatique 1"1/4, flexibles cm 35 3/8"F.

Смеситель для биде, авт.донный клапан 1"1/4, гибкая подводка 35 см 3/8"F.

Finitura / finishing / finition / Покрытие

CR	€ 148,00
CO	€ 163,00
RR / ZZ	€ 207,00
OO	€ 252,00
OZ / OR	€ 370,00



1/2 82 CR 5321 02

21,6 kg box pcs. 10

82 CR 2245 01



Miscelatore lavabo canna antica, scarico aut. 1"1/4, tubi flex cm 35 3/8"F.

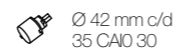
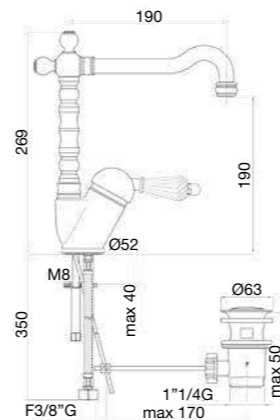
One hole basin mixer, old style spout, 1"1/4 automatic pop up waste, flex cm 35 3/8"F.

Mitigeur lavabo, bec rétro, vidage automatique 1"1/4, flexibles cm 35 3/8"F.

Смеситель для умывальника, авт.донный клапан 1"1/4, гибкая подводка 35 см 3/8"F.

Finitura / finishing / finition / Покрытие

CR	€ 190,00
CO	€ 209,00
RR / ZZ	€ 266,00
OO	€ 323,00
OZ / OR	€ 475,00



1/2 82 CR 2245 02

18 kg box pcs. 10

82 CR 5314 01



Miscelatore bidet, scarico aut. 1"1/4, tubi flex cm 35 3/8"F.

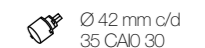
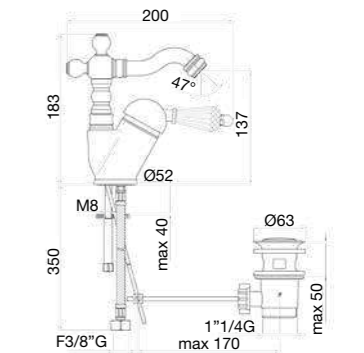
One hole bidet mixer, 1"1/4 automatic pop up waste, flex cm 35 3/8"F.

Mitigeur bidet, vidage automatique 1"1/4, flexibles cm 35 3/8"F.

Смеситель для биде, авт.донный клапан 1"1/4, гибкая подводка 35 см 3/8"F.

Finitura / finishing / finition / Покрытие

CR	€ 181,00
CO	€ 199,00
RR / ZZ	€ 253,00
OO	€ 307,00
OZ / OR	€ 453,00



1/2 82 CR 5314 02

14 kg box pcs. 10

82 CR 5225 01



Miscelatore lavabo, canna antica, testa cieca, tubi flex cm 35 3/8"F.

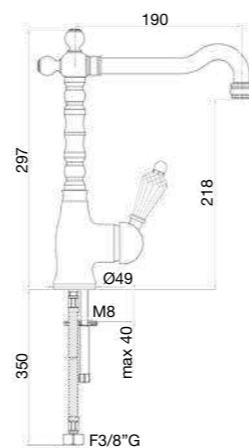
One hole basin mixer, old style spout, without pop up waste, flex cm 35 3/8"F.

Mitigeur lavabo, bec rétro, sans vidage, flexibles cm 35 3/8"F.

Смеситель для умывальника, без донного клапана, гибкая подводка 35 см 3/8"F.

Finitura / finishing / finition / Покрытие

CR	€ 190,00
CO	€ 209,00
RR / ZZ	€ 266,00
OO	€ 323,00
OZ / OR	€ 475,00



1/2 82 CR 5225 02

17 kg box pcs. 10

82 CR 5104



Miscelatore vasca con duplex, doccia ceramica bianca.

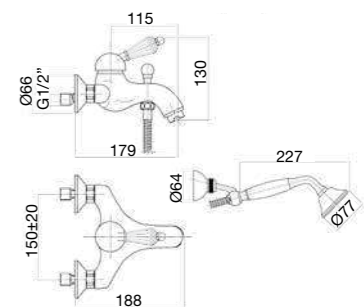
Bath mixer with shower set, white ceramic shower.

Mitigeur bain douche avec garniture, douche avec poignée en céramique.

Смеситель для ванны, душевой набор.

Finitura / finishing / finition / Покрытие

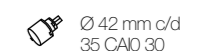
CR	€ 202,00
CO	€ 222,00
RR / ZZ	€ 343,00
OO	€ 404,00
OZ / OR	€ 505,00



82 CR 5101  
Miscelatore vasca senza duplex.  
Bath mixer without shower set.  
Mitigeur bain douche sans garniture.  
Смеситель для ванны без душевого гарнитура.

Finitura / finishing / finition / Покрытие

CR	€ 162,00
CO	€ 178,00
RR / ZZ	€ 227,00
OO	€ 275,00
OZ / OR	€ 405,00



29,8 kg box pcs. 10



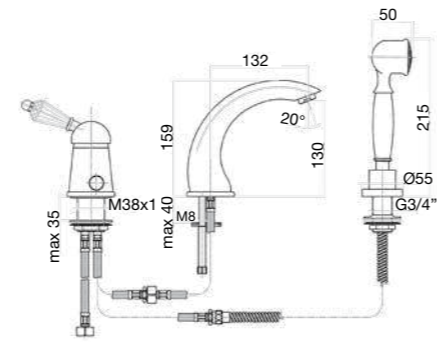
82 CR 5105

Miscelatore bordo vasca 3 fori con doccia retro.

3-hole bath mixer with old style shower.

Mitigeur bain douche à 3 trous avec douche rétro.

Смеситель наобртный для ванны на 3 отверстия.



Finitura / finishing / finition / Покрытие

CR	€ 319,00
OO	€ 350,00
RR / ZZ	€ 542,00
OO	€ 637,00
OZ / OR	€ 798,00

22,45 kg  
box pcs. 5

Ø 42 mm s/d  
35 CA10 31

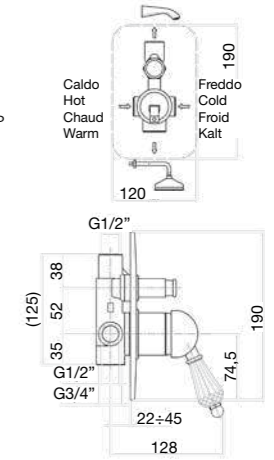
82 CR 5134

Miscelatore doccia incasso con deviatore, 2 uscite.

2-way built-in shower mixer with diverter.

Mitigeur douche à encastrer avec inverseur, deux sorties.

Смеситель для душа, скрытый монтаж, авт.переключатель ванна/душ.



Finitura / finishing / finition / Покрытие

CR	€ 151,00
OO	€ 166,00
RR / ZZ	€ 212,00
OO	€ 257,00
OZ / OR	€ 378,00

15,1 kg  
box pcs. 10

Ø 42 mm s/d  
35 CA10 31

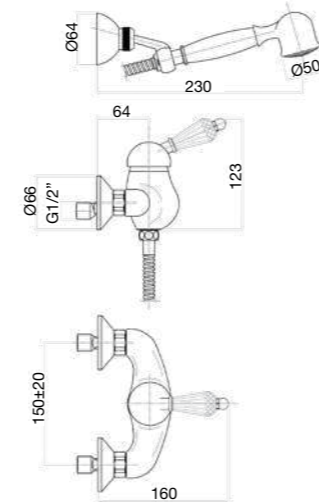
82 CR 5127

Miscelatore doccia esterno con duplex, doccia retro.

External shower mixer with shower set, old style shower.

Mitigeur douche extérieur avec garniture, douche rétro.

Смеситель для душа, внешний монтаж, душевой набор.



Finitura / finishing / finition / Покрытие

CR	€ 162,00
OO	€ 178,00
RR / ZZ	€ 275,00
OO	€ 324,00
OZ / OR	€ 405,00

27,7 kg  
box pcs. 10

Ø 42 mm s/d  
35 CA10 31

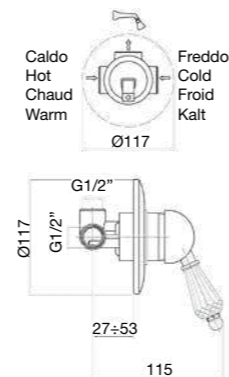
82 CR 5130

Miscelatore doccia incasso.

Built-in shower mixer.

Mitigeur douche à encastrer.

Смеситель для душа, скрытый монтаж.



Finitura / finishing / finition / Покрытие

CR	€ 96,00
OO	€ 106,00
RR / ZZ	€ 134,00
OO	€ 164,00
OZ / OR	€ 240,00

9,4 kg  
box pcs. 10

Ø 42 mm s/d  
35 CA10 31

# Coloniale Black

## Retró program

Finitura / finishing / finition / Покрытие

CR  
Cromo  
Chrome

CO  
Cromo / Oro  
Chrome / Gold

OO  
Oro  
Gold

ZZ  
Vecchio bronzo  
Old bronze

RR  
Vecchio rame  
Old copper

OZ  
Oro opaco spazzolato  
Brushed gold

OR  
Oro rosa  
Rose gold



22 CR 0623 01



Monoforo lavabo collo alto, scarico automatico 1"1/4, flex cm 35 3/8"F.

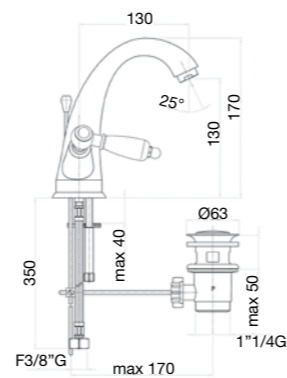
High basin mixer, 1"1/4 automatic pop up waste, flex cm 35 3/8"F.

Mélangeur monotrou lavabo, bec haut, vidage automatique 1"1/4, flexibles cm 35 3/8"F.

Смеситель высокий для умывальника на 1 отверстие, авт. донный клапан 1"1/4, гибкая подводка 35 см 3/8"F.

Finitura / finishing / finition / Покрытие

CR	€ 211,00
CO	€ 232,00
RR / ZZ	€ 295,00
OO	€ 421,00
OZ / OR	€ 528,00



Vitone ceramico, 1/4 di giro  
1/4 turn ceramic head work

1/2 22 CR 0623 02

13,35 kg  
box pcs. 5

22 CR 0637



Batteria lavabo, scarico automatico 1"1/4.

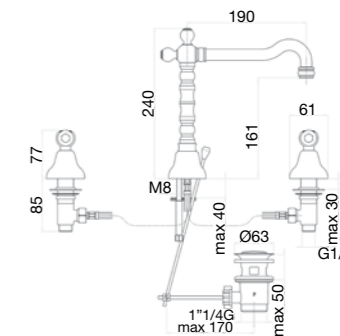
3-hole basin mixer, 1"1/4 automatic pop up waste.

Mélangeur lavabo à 3 trous, vidage automatique 1"1/4.

Смеситель для умывальника на 3 отверстия, авт. донный клапан 1"1/4.

Finitura / finishing / finition / Покрытие

CR	€ 295,00
CO	€ 325,00
RR / ZZ	€ 414,00
OO	€ 591,00
OZ / OR	€ 738,00



Vitone ceramico, 1/4 di giro  
1/4 turn ceramic head work

14 kg  
box pcs. 5

22 CR 0625 01



Monoforo lavabo, scarico automatico 1"1/4, flex cm 35 3/8"F.

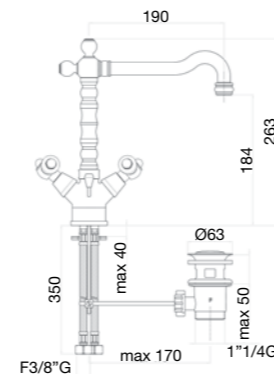
One hole basin mixer, 1"1/4 automatic pop up waste, flex cm 35 3/8"F.

Mélangeur monotrou lavabo, vidage automatique 1"1/4, flexibles cm 35 3/8"F.

Смеситель для умывальника на 1 отверстие, излив "ретро", авт. донный клапан 1"1/4, гибкая подводка 35 см 3/8"F.

Finitura / finishing / finition / Покрытие

CR	€ 239,00
CO	€ 263,00
RR / ZZ	€ 335,00
OO	€ 478,00
OZ / OR	€ 598,00



Vitone ceramico, 1/4 di giro  
1/4 turn ceramic head work

1/2 22 CR 0625 02

11,5 kg  
box pcs. 5

22 CR 0636



Batteria lavabo a muro, bocca 210 mm.

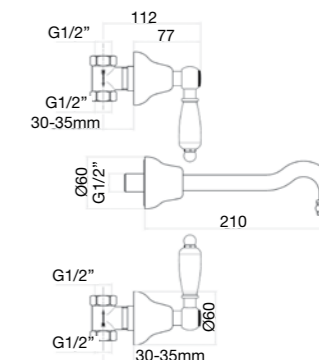
Wall basin mixer, spout 210 mm.

Mélangeur lavabo mural, bec 210 mm.

Смеситель для умывальника на 3 отверстия, скрытый настенный монтаж.

Finitura / finishing / finition / Покрытие

CR	€ 230,00
CO	€ 253,00
RR / ZZ	€ 322,00
OO	€ 460,00
OZ / OR	€ 575,00



Vitone ceramico, 1/4 di giro  
1/4 turn ceramic head work

12 kg  
box pcs. 5

22 CR 0628



Batteria lavabo, scarico automatico 1"1/4.

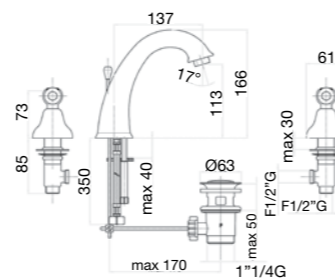
3-hole basin mixer, 1"1/4 automatic pop up waste.

Mélangeur lavabo à 3 trous, vidage automatique 1"1/4.

Смеситель для умывальника на 3 отверстия, авт. донный клапан 1"1/4.

Finitura / finishing / finition / Покрытие

CR	€ 230,00
CO	€ 253,00
RR / ZZ	€ 321,00
OO	€ 459,00
OZ / OR	€ 575,00



Vitone ceramico, 1/4 di giro  
1/4 turn ceramic head work

14,5 kg  
box pcs. 5

22 CR 0632 01



Monoblocco bidet, scarico aut. 1"1/4, tubi flex cm. 35 3/8"F.

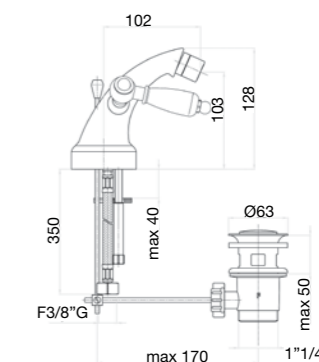
One hole bidet mixer, 1"1/4 automatic pop up waste, flex cm 35 3/8"F.

Mélangeur monotrou bidet, vidage automatique 1"1/4, flexibles cm 35 3/8"F.

Смеситель для биде на 1 отверстие, авт. донный клапан 1"1/4, гибкая подводка 35 см 3/8"F.

Finitura / finishing / finition / Покрытие

CR	€ 220,00
CO	€ 242,00
RR / ZZ	€ 308,00
OO	€ 441,00
OZ / OR	€ 550,00



Vitone ceramico, 1/4 di giro  
1/4 turn ceramic head work

1/2 22 CR 0632 02

13,3 kg  
box pcs. 5

22 CR 0635 01

Monoforo bidet, scarico aut. 1"1/4, tubi flex cm 35 3/8"F.

One hole bidet mixer, 1"1/4 automatic pop up waste, flex cm 35 3/8"F.

Mélangeur monotrou bidet, bec rétro, vidage automatique 1"1/4, flexibles cm 35 3/8"F.

Смеситель для биде на 1 отверстие, авт. донный клапан 1"1/4, гибкая подводка 35 см 3/8"F.

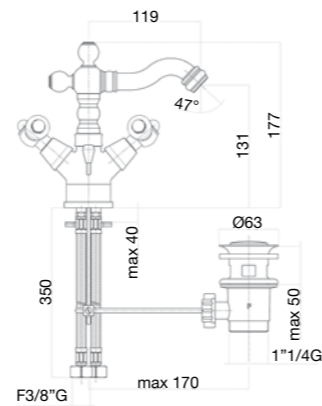


Finitura / finishing / finition / Покрытие

CR	€ 226,00
OO	€ 248,00
RR / ZZ	€ 316,00
OO	€ 451,00
OZ / OR	€ 565,00

1/2 22 CR 0635 02

10,85 kg  
box pcs. 5



Vitone ceramico, 1/4 di giro  
1/4 turn ceramic head work

22 CR 0600

Gruppo vasca esterno con flex e doccia ceramica nera.

External bath mixer with flex and black ceramic shower.

Mélangeur bain douche extérieur avec flexible et douche avec poignée en céramique.

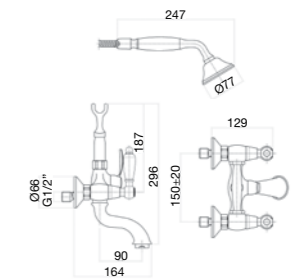
Смеситель для ванны, внешний монтаж, гибкая подводка, ручной душ из керамики.



Finitura / finishing / finition / Покрытие

CR	€ 287,00
OO	€ 316,00
RR / ZZ	€ 488,00
OO	€ 575,00
OZ / OR	€ 718,00

16,7 kg  
box pcs. 5



22 CR 0610  
Miscelatore vasca con flex e doccia retrò.  
Bath mixer with flex and old style shower.  
Mitigeur bain douche avec flexible et douche retrò.  
Смеситель для ванны, внешний монтаж, гибкая подводка, ручной душ "ретро".

Finitura / finishing / finition / Покрытие

CR	€ 271,00
OO	€ 298,00
RR / ZZ	€ 461,00
OO	€ 542,00
OZ / OR	€ 678,00

Vitone ceramico, 1/4 di giro  
1/4 turn ceramic head work

22 CR 0647

Batteria bidet, scarico aut. 1"1/4.

3-hole bidet mixer, 1"1/4 automatic pop up waste.

Mélangeur bidet à 3 trous, vidage automatique 1"1/4.

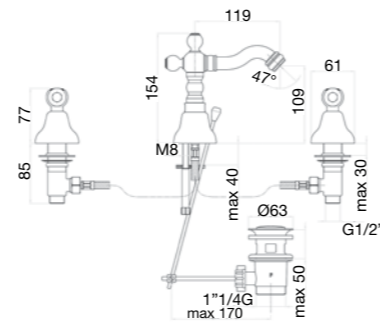
Смеситель для биде на 3 отверстия, авт. донный клапан 1"1/4.



Finitura / finishing / finition / Покрытие

CR	€ 282,00
OO	€ 310,00
RR / ZZ	€ 395,00
OO	€ 564,00
OZ / OR	€ 705,00

12,9 kg  
box pcs. 5



Vitone ceramico, 1/4 di giro  
1/4 turn ceramic head work

22 CR 0601

Gruppo vasca esterno con duplex, doccia ceramica nera.

External bath mixer with shower set, black ceramic shower.

Mélangeur bain douche extérieur avec garniture, douche avec poignée en céramique.

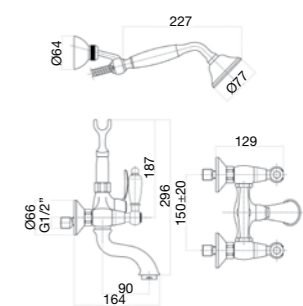
Смеситель для ванны, внешний монтаж, душевой набор, белый душ из керамики.



Finitura / finishing / finition / Покрытие

CR	€ 296,00
OO	€ 326,00
RR / ZZ	€ 503,00
OO	€ 592,00
OZ / OR	€ 740,00

16,2 kg  
box pcs. 5



22 CR 0611  
Miscelatore vasca con duplex, doccia retrò.  
Bath mixer with shower set, old style shower.  
Mitigeur bain douche avec garniture, douche retrò.  
Смеситель для ванны, внешний монтаж, душевой набор, ручной душ "ретро".

Finitura / finishing / finition / Покрытие

CR	€ 280,00
OO	€ 308,00
RR / ZZ	€ 476,00
OO	€ 559,00
OZ / OR	€ 700,00

Vitone ceramico, 1/4 di giro  
1/4 turn ceramic head work

22 CR 0638

Batteria bidet, scarico aut. 1"1/4.

3-hole bidet mixer, 1"1/4 automatic pop up waste.

Mélangeur bidet à 3 trous, vidage automatique 1"1/4.

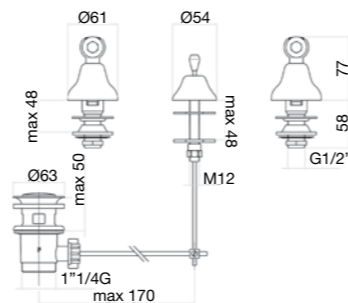
Смеситель для биде на 3 отверстия, авт. донный клапан 1"1/4.



Finitura / finishing / finition / Покрытие

CR	€ 193,00
OO	€ 212,00
RR / ZZ	€ 270,00
OO	€ 386,00
OZ / OR	€ 483,00

9,1 kg  
box pcs. 5



Vitone ceramico, 1/4 di giro  
1/4 turn ceramic head work

22 CR 0607

Batteria bordo vasca 5 fori.

5-hole bath mixer.

Mélangeur bain douche à 5 trous.

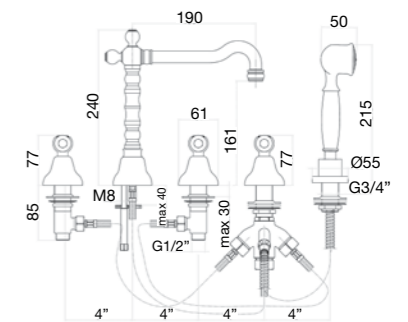
Смеситель напорный для ванны на 5 отверстий.



Finitura / finishing / finition / Покрытие

CR	€ 481,00
OO	€ 529,00
RR / ZZ	€ 818,00
OO	€ 962,00
OZ / OR	€ 1.203,00

23,25 kg  
box pcs. 5



Vitone ceramico, 1/4 di giro  
1/4 turn ceramic head work

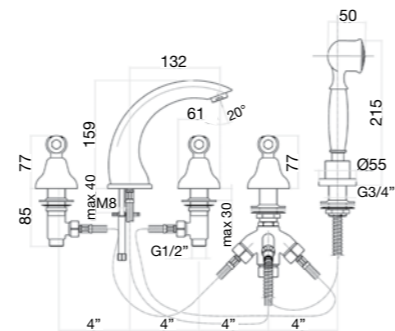
22 CR 0608

Batteria bordo vasca 5 fori.

5-hole bath mixer.

Mélangeur bain douche à 5 trous.

Смеситель наборный для ванны на 5 отверстий.



Finitura / finishing / finition / Покрытие

CR	€ 471,00
CO	€ 491,00
RR / ZZ	€ 759,00
OO	€ 893,00
OZ / OR	€ 1.178,00

Vitone ceramico, 1/4 di giro  
1/4 turn ceramic head work

25,4 kg  
box pcs. 5

22 CR 0602

Gruppo doccia esterno con duplex, doccia ceramica nera.

External shower mixer with shower set, black ceramic shower.

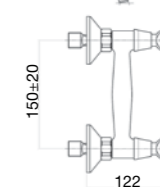
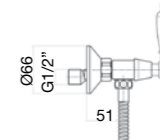
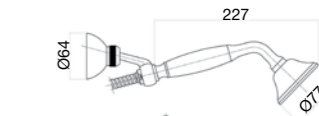
Mélangeur douche extérieur avec garniture, douche céramique.

Смеситель для душа, внешний монтаж, душевой набор, ручной керамический душ.



Finitura / finishing / finition / Покрытие

CR	€ 208,00
CO	€ 229,00
RR / ZZ	€ 354,00
OO	€ 416,00
OZ / OR	€ 520,00



Vitone ceramico, 1/4 di giro  
1/4 turn ceramic head work

12 kg  
box pcs. 5

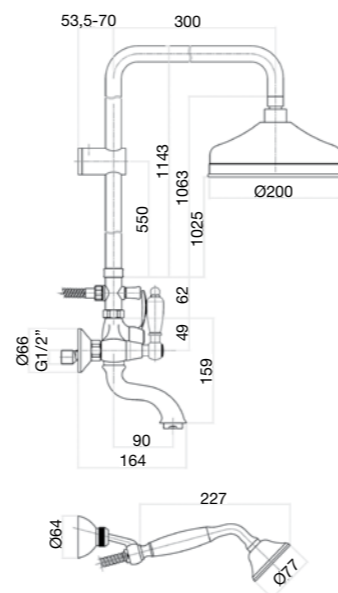
22 CR 0615

Gruppo vasca esterno con deviatore, colonna cm 114, soffione tondo in ottone Ø 200 mm e duplex, doccia ceramica nera.

External bath mixer with diverter, cm 114 rail, Ø 200 mm round brass shower head, shower set, black ceramic shower.

Mélangeur bain douche extérieur avec inverseur, colonne cm 114 et pomme de douche ronde en laiton Ø 200 mm, garniture, douche avec poignée en céramique.

Смес.д/ванны, внешн.монтаж, переключатель, стойка 100см, лейка Ø200мм, душ.набор, белый душ из керамики.



Finitura / finishing / finition / Покрытие

CR	€ 566,00
CO	€ 623,00
RR / ZZ	€ 962,00
OO	€ 1.132,00
OZ / OR	€ 1.415,00

Vitone ceramico, 1/4 di giro  
1/4 turn ceramic head work

6,07 kg  
box pcs. 1

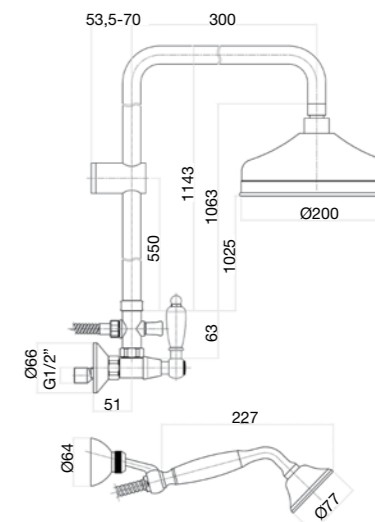
22 CR 0620

Gruppo doccia esterno con deviatore, colonna cm 114, soffione tondo in ottone Ø 200 mm, duplex, doccia ceramica nera.

External shower mixer with diverter, cm 114 rail, Ø 200 mm round brass shower head, shower set, black ceramic shower.

Mélangeur douche extérieur avec inverseur, colonne cm 114, pomme de douche ronde en laiton Ø 200 mm, garniture, douche avec poignée en céramique.

Смес. д/душа, внешн.монтаж, переключ., стойка 114см, лейка Ø200мм, душ.набор, ручн.белый душ из керамики.



Finitura / finishing / finition / Покрытие

CR	€ 516,00
CO	€ 568,00
RR / ZZ	€ 878,00
OO	€ 1.032,00
OZ / OR	€ 1.290,00

Vitone ceramico, 1/4 di giro  
1/4 turn ceramic head work

5,26 kg  
box pcs. 1

22 CR 0933

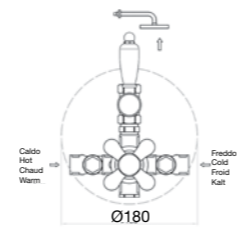
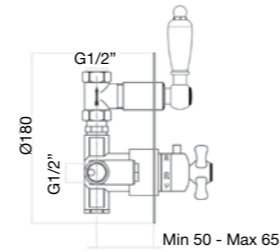


Miscelatore termostatico doccia incasso, un'uscita.

1-way built-in thermostatic shower mixer.

Mitigeur thermostatique douche à encastrer.

Термостат для душа, скрытый монтаж.



Finitura / finishing / finition / Покрытие

CR	€ 280,00
CO	€ 336,00
RR / ZZ	€ 504,00
OO	€ 561,00
OZ / OR	€ 700,00

Vitone ceramico, 1/4 di giro  
1/4 turn ceramic head work

20 kg  
box pcs. 5

22 CR 0934

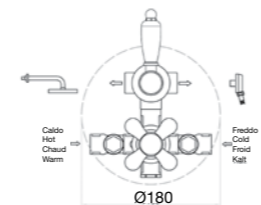
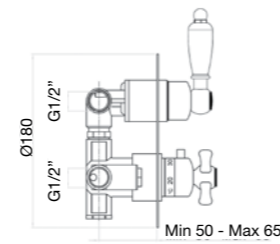


Miscelatore termostatico doccia incasso, due uscite.

2-way built-in thermostatic shower mixer.

Mitigeur thermostatique douche à encastrer, deux sorties.

Термостат для душа на 2 выхода, скрытый монтаж.



Finitura / finishing / finition / Покрытие

CR	€ 294,00
CO	€ 353,00
RR / ZZ	€ 529,00
OO	€ 588,00
OZ / OR	€ 735,00

Vitone ceramico, 1/4 di giro  
1/4 turn ceramic head work

22 kg  
box pcs. 5

22 CR 0935

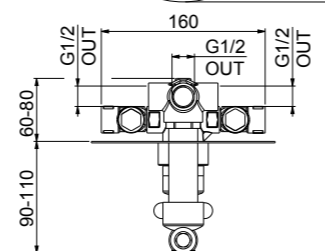
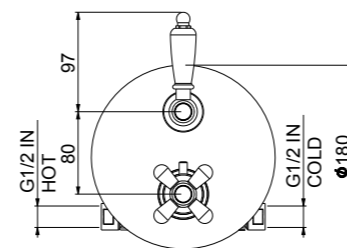


Miscelatore termostatico doccia incasso, tre uscite.

3-way built-in thermostatic shower mixer.

Mitigeur thermostatique douche à encastrer, trois sorties.

Термостат для душа на 3 выхода, скрытый монтаж.



Finitura / finishing / finition / Покрытие

CR	€ 346,00
CO	€ 415,00
RR / ZZ	€ 622,00
OO	€ 691,00
OZ / OR	€ 865,00

Vitone ceramico, 1/4 di giro  
1/4 turn ceramic head work

24 kg  
box pcs. 5

# Coloniale Black



22 CR 0607



22 CR 0635



22 CR 0636

22 CR 0600



# Coloniale Sky

— SWAROVSKI® è un marchio commerciale registrato di Swarovski AG

## Retró program

Finitura / finishing / finition / Покрытие

CR  
Cromo  
Chrome

CO  
Cromo / Oro  
Chrome / Gold

OO  
Oro  
Gold

ZZ  
Vecchio bronzo  
Old bronze

RR  
Vecchio rame  
Old copper

OZ  
Oro opaco spazzolato  
Brushed gold

OR  
Oro rosa  
Rose gold



03 CR 0623 01



Monoforo lavabo collo alto, scarico automatico 1"1/4, flex cm 35 3/8"F.

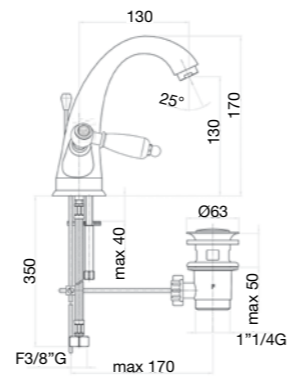
High basin mixer, 1"1/4 automatic pop up waste, flex cm 35 3/8"F.

Mélangeur monotrou lavabo, bec haut, vidage automatique 1"1/4, flexibles cm 35 3/8"F.

Смеситель высокий для умывальника на 1 отверстие, авт. донный клапан 1"1/4, гибкая подводка 35 см 3/8"F.

Finitura / finishing / finition / Покрyтие

CR	€ 232,00
CO	€ 255,00
RR / ZZ	€ 325,00
OO	€ 464,00
OZ / OR	€ 580,00



Vitone ceramico, 1/4 di giro  
1/4 turn ceramic head work

03 CR 0623 02

13,35 kg  
box pcs. 5

03 CR 0637



Batteria lavabo, scarico automatico 1"1/4.

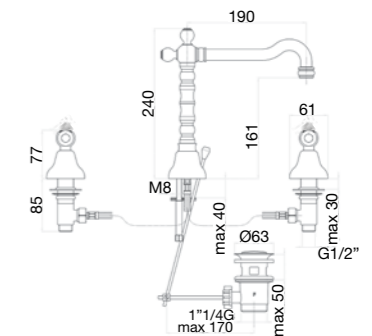
3-hole basin mixer, 1"1/4 automatic pop up waste.

Mélangeur lavabo à 3 trous, vidage automatique 1"1/4.

Смеситель для умывальника на 3 отверстия, авт. донный клапан 1"1/4.

Finitura / finishing / finition / Покрyтие

CR	€ 317,00
CO	€ 349,00
RR / ZZ	€ 444,00
OO	€ 634,00
OZ / OR	€ 793,00



Vitone ceramico, 1/4 di giro  
1/4 turn ceramic head work

14 kg  
box pcs. 5

03 CR 0625 01



Monoforo lavabo, scarico automatico 1"1/4, flex cm 35 3/8"F.

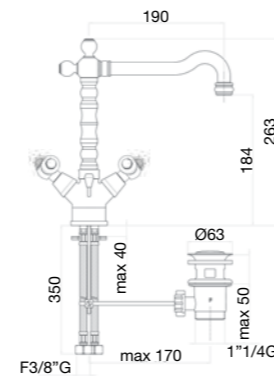
One hole basin mixer, 1"1/4 automatic pop up waste, flex cm 35 3/8"F.

Mélangeur monotrou lavabo, vidage automatique 1"1/4, flexibles cm 35 3/8"F.

Смеситель для умывальника на 1 отверстие, излив "ретро", авт. донный клапан 1"1/4, гибкая подводка 35 см 3/8"F.

Finitura / finishing / finition / Покрyтие

CR	€ 261,00
CO	€ 287,00
RR / ZZ	€ 365,00
OO	€ 522,00
OZ / OR	€ 653,00



Vitone ceramico, 1/4 di giro  
1/4 turn ceramic head work

03 CR 0625 02

11,5 kg  
box pcs. 5

03 CR 0636



Batteria lavabo a muro, bocca 210 mm.

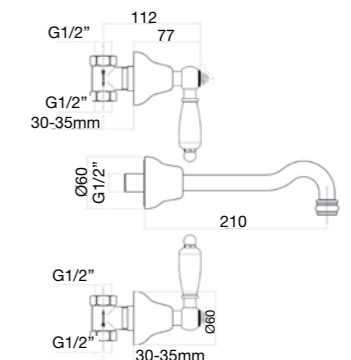
Wall basin mixer, spout 210 mm.

Mélangeur lavabo mural, bec 210 mm.

Смеситель для умывальника на 3 отверстия, скрытый настенный монтаж.

Finitura / finishing / finition / Покрyтие

CR	€ 252,00
CO	€ 277,00
RR / ZZ	€ 352,00
OO	€ 503,00
OZ / OR	€ 630,00



Vitone ceramico, 1/4 di giro  
1/4 turn ceramic head work

12 kg  
box pcs. 5

03 CR 0628



Batteria lavabo, scarico automatico 1"1/4.

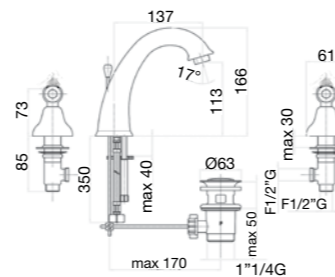
3-hole basin mixer, 1"1/4 automatic pop up waste.

Mélangeur lavabo à 3 trous, vidage automatique 1"1/4.

Смеситель для умывальника на 3 отверстия, авт. донный клапан 1"1/4.

Finitura / finishing / finition / Покрyтие

CR	€ 251,00
CO	€ 276,00
RR / ZZ	€ 339,00
OO	€ 502,00
OZ / OR	€ 628,00



Vitone ceramico, 1/4 di giro  
1/4 turn ceramic head work

14,5 kg  
box pcs. 5

03 CR 0632 01



Monoblocco bidet, scarico aut. 1"1/4, tubi flex cm. 35 3/8"F.

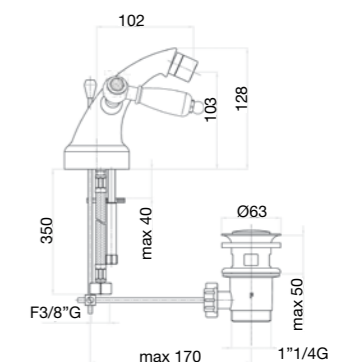
One hole bidet mixer, 1"1/4 automatic pop up waste, flex cm 35 3/8"F.

Mélangeur monotrou bidet, vidage automatique 1"1/4, flexibles cm 35 3/8"F.

Смеситель для биде на 1 отверстие, авт. донный клапан 1"1/4, гибкая подводка 35 см 3/8"F.

Finitura / finishing / finition / Покрyтие

CR	€ 242,00
CO	€ 266,00
RR / ZZ	€ 339,00
OO	€ 484,00
OZ / OR	€ 605,00



Vitone ceramico, 1/4 di giro  
1/4 turn ceramic head work

03 CR 0632 02

13,3 kg  
box pcs. 5



03 CR 0635 01



Monoforo bidet, scarico aut. 1"1/4, tubi flex cm 35 3/8"F.

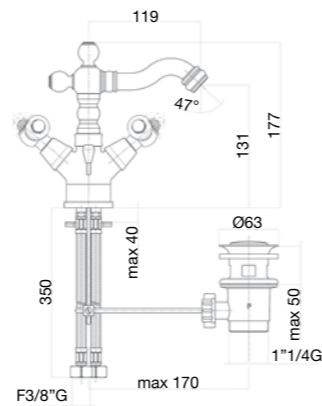
One hole bidet mixer, 1"1/4 automatic pop up waste, flex cm 35 3/8"F.

Mélangeur monotrou bidet, bec rétro, vidage automatique 1"1/4, flexibles cm 35 3/8"F.

Смеситель для биде на 1 отверстие, авт. донный клапан 1"1/4, гибкая подводка 35 см 3/8" F.

Finitura / finishing / finition / Покрытие

CR	€ 247,00
OO	€ 272,00
RR / ZZ	€ 346,00
OO	€ 495,00
OZ / OR	€ 618,00



Vitone ceramico, 1/4 di giro  
1/4 turn ceramic head work

1/2 03 CR 0635 02

10,85 kg  
box pcs. 5

03 CR 0647



Batteria bidet, scarico aut. 1"1/4.

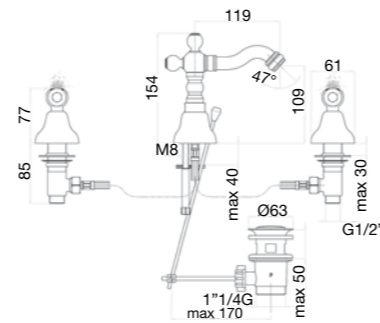
3-hole bidet mixer, 1"1/4 automatic pop up waste.

Mélangeur bidet à 3 trous, vidage automatique 1"1/4.

Смеситель для биде на 3 отверстия, авт. донный клапан 1"1/4.

Finitura / finishing / finition / Покрытие

CR	€ 303,00
OO	€ 334,00
RR / ZZ	€ 425,00
OO	€ 607,00
OZ / OR	€ 758,00



Vitone ceramico, 1/4 di giro  
1/4 turn ceramic head work

12,9 kg  
box pcs. 5

03 CR 0638



Batteria bidet, scarico aut. 1"1/4.

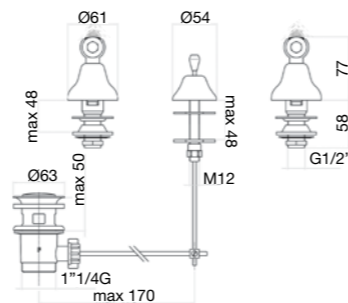
3-hole bidet mixer, 1"1/4 automatic pop up waste.

Mélangeur bidet à 3 trous, vidage automatique 1"1/4.

Смеситель для биде на 3 отверстия, авт. донный клапан 1"1/4.

Finitura / finishing / finition / Покрытие

CR	€ 214,00
OO	€ 236,00
RR / ZZ	€ 300,00
OO	€ 429,00
OZ / OR	€ 535,00



Vitone ceramico, 1/4 di giro  
1/4 turn ceramic head work

9,1 kg  
box pcs. 5

03 CR 0600



Gruppo vasca esterno con flex e doccia ceramica bianca.

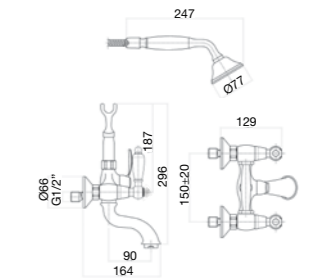
External bath mixer with flex and white ceramic shower.

Mélangeur bain douche extérieur avec flexible et douche avec poignée en céramique.

Смеситель для ванны, внешний монтаж, гибкая подводка, ручной душ из керамики.

Finitura / finishing / finition / Покрытие

CR	€ 300,00
OO	€ 330,00
RR / ZZ	€ 510,00
OO	€ 599,00
OZ / OR	€ 750,00



16,7 kg  
box pcs. 5

03 CR 0601



Gruppo vasca esterno con duplex, doccia ceramica bianca.

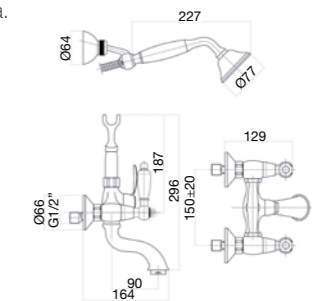
External bath mixer with shower set, white ceramic shower.

Mélangeur bain douche extérieur avec garniture, douche avec poignée en céramique.

Смеситель для ванны, внешний монтаж, душевой набор, белый душ из керамики.

Finitura / finishing / finition / Покрытие

CR	€ 308,00
OO	€ 339,00
RR / ZZ	€ 524,00
OO	€ 617,00
OZ / OR	€ 770,00



16,2 kg  
box pcs. 5

03 CR 0607



Batteria bordo vasca 5 fori.

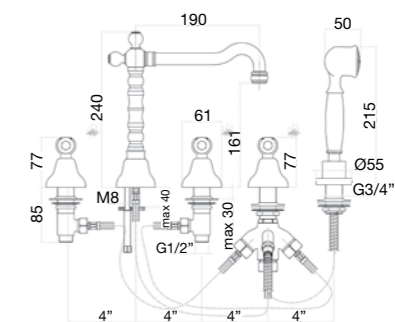
5-hole bath mixer.

Mélangeur bain douche à 5 trous.

Смеситель наборный для ванны на 5 отверстий.

Finitura / finishing / finition / Покрытие

CR	€ 514,00
OO	€ 565,00
RR / ZZ	€ 873,00
OO	€ 1.027,00
OZ / OR	€ 1.285,00



23,25 kg  
box pcs. 5

Vitone ceramico, 1/4 di giro  
1/4 turn ceramic head work

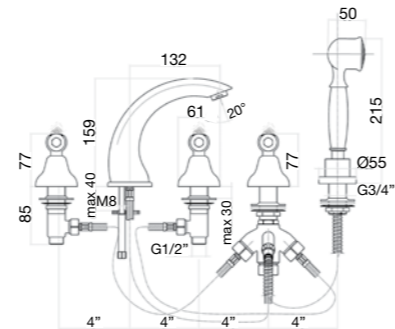
03 CR 0608

Batteria bordo vasca 5 fori.

5-hole bath mixer.

Mélangeur bain douche à 5 trous.

Смеситель наборный для ванны на 5 отверстий.

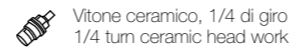


Finitura / finishing / finition / Покрытие

CR	€ 479,00
CO	€ 527,00
RR / ZZ	€ 814,00
OO	€ 958,00
OZ / OR	€ 1.198,00



25,4 kg  
box pcs. 5



Vitone ceramico, 1/4 di giro  
1/4 turn ceramic head work

03 CR 0602

Gruppo doccia esterno con duplex, doccia ceramica bianca.

External shower mixer with shower set, white ceramic shower.

Mélangeur douche extérieur avec garniture, douche céramique.

Смеситель для душа, внешний монтаж, душевой набор, ручной керамический душ.

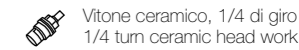
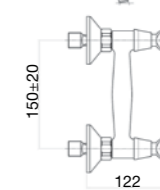
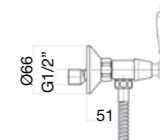
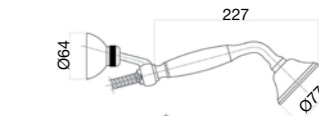


Finitura / finishing / finition / Покрытие

CR	€ 264,00
CO	€ 290,00
RR / ZZ	€ 448,00
OO	€ 527,00
OZ / OR	€ 550,00



12 kg  
box pcs. 5



Vitone ceramico, 1/4 di giro  
1/4 turn ceramic head work

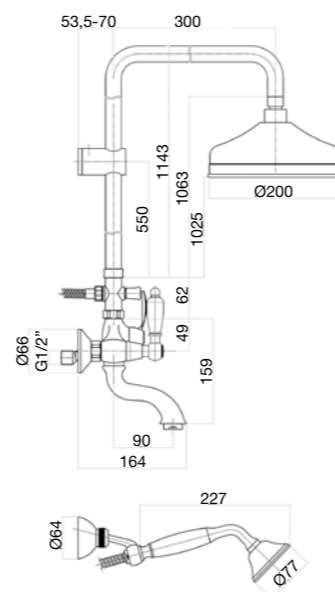
03 CR 0615

Gruppo vasca esterno con deviatore, colonna cm 114, soffione tondo in ottone Ø 200 mm e duplex, doccia ceramica bianca.

External bath mixer with diverter, cm 114 rail, Ø 200 mm round brass shower head, shower set, white ceramic shower.

Mélangeur bain douche extérieur avec inverseur, colonne cm 114 et pomme de douche ronde en laiton Ø 200 mm, garniture, douche avec poignée en céramique.

Смес.д/ванны, внешн.монтаж, переключатель, стойка 100см, лейка Ø200мм, душ.набор, белый душ из керамики.

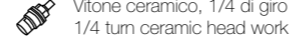


Finitura / finishing / finition / Покрытие

CR	€ 578,00
CO	€ 636,00
RR / ZZ	€ 983,00
OO	€ 1.157,00
OZ / OR	€ 1.445,00



6,07 kg  
box pcs. 1



Vitone ceramico, 1/4 di giro  
1/4 turn ceramic head work

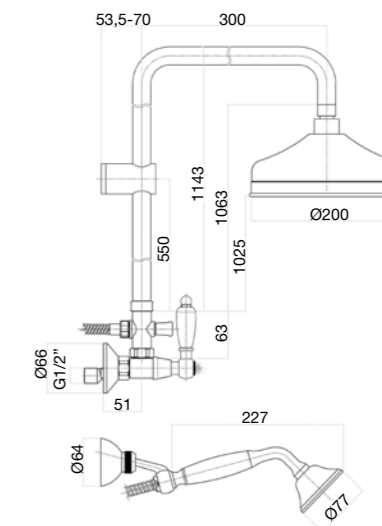
03 CR 0620

Gruppo doccia esterno con deviatore, colonna cm 114, soffione tondo in ottone Ø 200 mm, duplex, doccia ceramica bianca.

External shower mixer with diverter, cm 114 rail, Ø 200 mm round brass shower head, shower set, white ceramic shower.

Mélangeur douche extérieur avec inverseur, colonne cm 114, pomme de douche ronde en laiton Ø 200 mm, garniture, douche avec poignée en céramique.

Смес. д/душа, внешн.монтаж, переключ., стойка 114см, лейка Ø200мм, душ.набор, ручн. белый душ из керамики.

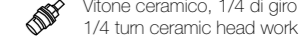


Finitura / finishing / finition / Покрытие

CR	€ 529,00
CO	€ 582,00
RR / ZZ	€ 899,00
OO	€ 1.057,00
OZ / OR	€ 1.323,00



5,26 kg  
box pcs. 1



Vitone ceramico, 1/4 di giro  
1/4 turn ceramic head work

03 CR 0936

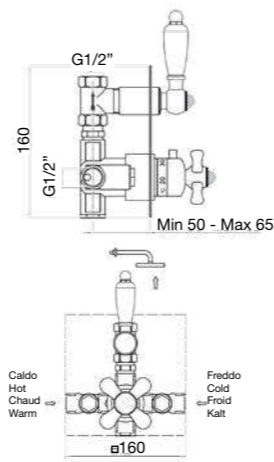


Miscelatore termostatico doccia incasso, un'uscita.

1-way built-in thermostatic shower mixer.

Mitigeur thermostatique douche à encastrer.

Термостат для душа, скрытый монтаж.



Finitura / finishing / finition / Покрытие

CR	€ 307,00
CO	€ 368,00
RR / ZZ	€ 552,00
OO	€ 613,00
OZ / OR	€ 768,00

Vitone ceramico, 1/4 di giro  
1/4 turn ceramic head work

20 kg  
box pcs. 5

03 CR 0937

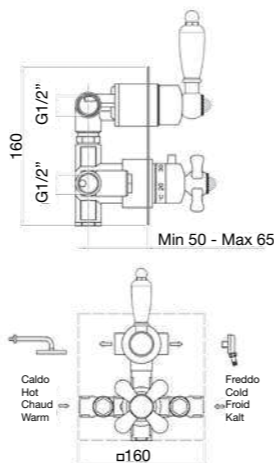


Miscelatore termostatico doccia incasso, due uscite.

2-way built-in thermostatic shower mixer.

Mitigeur thermostatique douche à encastrer, deux sorties.

Термостат для душа на 2 выхода, скрытый монтаж.



Finitura / finishing / finition / Покрытие

CR	€ 320,00
CO	€ 384,00
RR / ZZ	€ 576,00
OO	€ 640,00
OZ / OR	€ 800,00

Vitone ceramico, 1/4 di giro  
1/4 turn ceramic head work

22 kg  
box pcs. 5

03 CR 0938

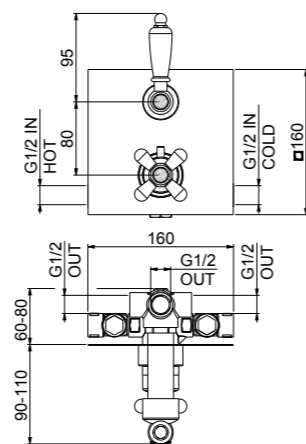


Miscelatore termostatico doccia incasso, tre uscite.

3-way built-in thermostatic shower mixer.

Mitigeur thermostatique douche à encastrer, trois sorties.

Термостат для душа на 3 выхода, скрытый монтаж.



Finitura / finishing / finition / Покрытие

CR	€ 372,00
CO	€ 447,00
RR / ZZ	€ 670,00
OO	€ 744,00
OZ / OR	€ 930,00

Vitone ceramico, 1/4 di giro  
1/4 turn ceramic head work

24 kg  
box pcs. 5

# Coloniale Sky



03 CR 0623



03 CR 0632



03 CR 0625

03 CR 0610



# Gioielli

## Retró program

Finitura / finishing / finition / Покрытие

CR  
Cromo  
Chrome

CO  
Cromo / Oro  
Chrome / Gold

OO  
Oro  
Gold

ZZ  
Vecchio bronzo  
Old bronze

RR  
Vecchio rame  
Old copper

OZ  
Oro opaco spazzolato  
Brushed gold

OR  
Oro rosa  
Rose gold



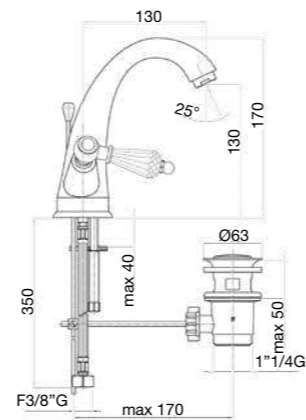
08 CR 0623 01

Monoforo lavabo collo alto, scarico automatico 1"1/4, flex cm 35 3/8"F.

High basin mixer, 1"1/4 automatic pop up waste, flex cm 35 3/8"F.

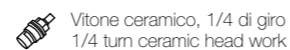
Mélangeur monotrou lavabo, bec haut, vidage automatique 1"1/4, flexibles cm 35 3/8"F.

Смеситель высокий для умывальника на 1 отверстие, авт. донный клапан 1"1/4, гибкая подводка 35 см 3/8"F.



Finitura / finishing / finition / Покрытие

CR	€ 275,00
CO	€ 303,00
RR / ZZ	€ 386,00
OO	€ 551,00
OZ / OR	€ 688,00



1/2 08 CR 0623 02

13,35 kg box pcs. 5

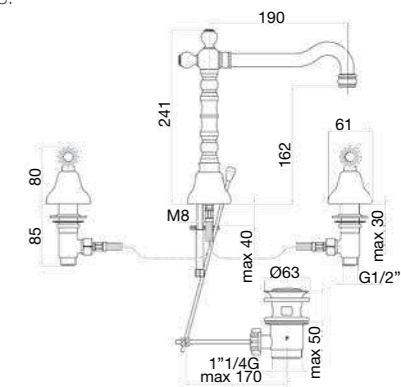
08 CR 0637

Batteria lavabo, scarico automatico 1"1/4.

3-hole basin mixer, 1"1/4 automatic pop up waste.

Mélangeur lavabo à 3 trous, vidage automatique 1"1/4.

Смеситель для умывальника на 3 отверстия, авт. донный клапан 1"1/4.



Finitura / finishing / finition / Покрытие

CR	€ 360,00
CO	€ 396,00
RR / ZZ	€ 504,00
OO	€ 720,00
OZ / OR	€ 900,00



14 kg box pcs. 5

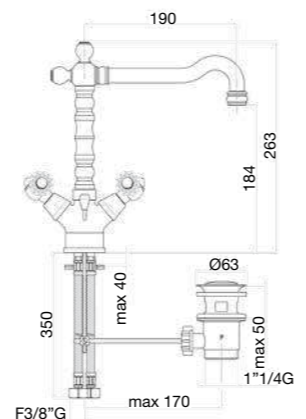
08 CR 0625 01

Monoforo lavabo, scarico automatico 1"1/4, flex cm 35 3/8"F.

One hole basin mixer, 1"1/4 automatic pop up waste, flex cm 35 3/8"F.

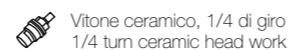
Mélangeur monotrou lavabo, vidage automatique 1"1/4, flexibles cm 35 3/8"F.

Смеситель для умывальника на 1 отверстие, излив "ретро", авт. донный клапан 1"1/4, гибкая подводка 35 см 3/8"F.



Finitura / finishing / finition / Покрытие

CR	€ 304,00
CO	€ 334,00
RR / ZZ	€ 420,00
OO	€ 608,00
OZ / OR	€ 760,00



1/2 08 CR 0625 02

11,5 kg box pcs. 5

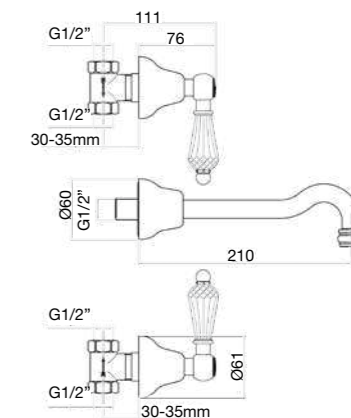
08 CR 0636

Batteria lavabo a muro, bocca 210 mm.

Wall basin mixer, spout 210 mm.

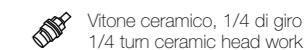
Mélangeur lavabo mural, bec 210 mm.

Смеситель для умывальника на 3 отверстия, скрытый настенный монтаж.



Finitura / finishing / finition / Покрытие

CR	€ 295,00
CO	€ 325,00
RR / ZZ	€ 413,00
OO	€ 590,00
OZ / OR	€ 738,00



12 kg box pcs. 5

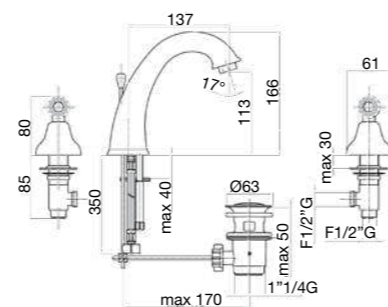
08 CR 0628

Batteria lavabo, scarico automatico 1"1/4.

3-hole basin mixer, 1"1/4 automatic pop up waste.

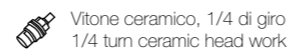
Mélangeur lavabo à 3 trous, vidage automatique 1"1/4.

Смеситель для умывальника на 3 отверстия, авт. донный клапан 1"1/4.



Finitura / finishing / finition / Покрытие

CR	€ 294,00
CO	€ 324,00
RR / ZZ	€ 412,00
OO	€ 589,00
OZ / OR	€ 735,00



14,5 kg box pcs. 5

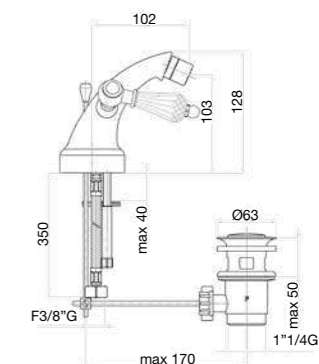
08 CR 0632 01

Monoblocco bidet, scarico aut. 1"1/4, tubi flex cm. 35 3/8"F.

One hole bidet mixer, 1"1/4 automatic pop up waste, flex cm 35 3/8"F.

Mélangeur monotrou bidet, vidage automatique 1"1/4, flexibles cm 35 3/8"F.

Смеситель для биде на 1 отверстие, авт. донный клапан 1"1/4, гибкая подводка 35 см 3/8"F.



Finitura / finishing / finition / Покрытие

CR	€ 285,00
CO	€ 314,00
RR / ZZ	€ 399,00
OO	€ 570,00
OZ / OR	€ 713,00



1/2 08 CR 0632 02

13,3 kg box pcs. 5

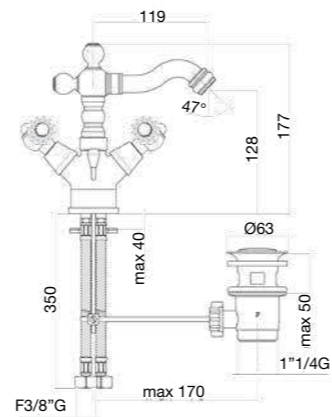
08 CR 0635 01

Monoforo bidet, scarico aut. 1"1/4, tubi flex cm 35 3/8"F.

One hole bidet mixer, 1"1/4 automatic pop up waste, flex cm 35 3/8"F.

Mélangeur monotrou bidet, bec rétro, vidage automatique 1"1/4, flexibles cm 35 3/8"F.

Смеситель для биде на 1 отверстие, авт. донный клапан 1"1/4, гибкая подводка 35 см 3/8"F.



Finitura / finishing / finition / Покрытие

CR	€ 291,00
CO	€ 320,00
RR / ZZ	€ 407,00
OO	€ 581,00
OZ / OR	€ 728,00

Vitone ceramico, 1/4 di giro  
1/4 turn ceramic head work

1/2 08 CR 0635 02

10,85 kg  
box pcs. 5

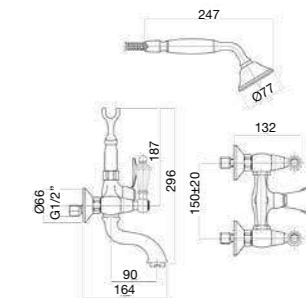
08 CR 0600

Gruppo vasca esterno con flex e doccia ceramica bianca.

External bath mixer with flex and white ceramic shower.

Mélangeur bain douche extérieur avec flexible et douche avec poignée en céramique.

Смеситель для ванны, внешний монтаж, гибкая подводка, ручной душ из керамики.



Finitura / finishing / finition / Покрытие

CR	€ 343,00
CO	€ 377,00
RR / ZZ	€ 583,00
OO	€ 686,00
OZ / OR	€ 858,00

16,7 kg  
box pcs. 5

08 CR 0610  
Miscelatore vasca con flex e doccia retrò.  
Bath mixer with flex and old style shower.  
Mélangeur bain douche avec flexible et douche retrò.  
Смеситель для ванны, внешний монтаж, гибкая подводка, ручной душ "ретро".

Finitura / finishing / finition / Покрытие

CR	€ 336,00
CO	€ 369,00
RR / ZZ	€ 571,00
OO	€ 672,00
OZ / OR	€ 840,00

Vitone ceramico, 1/4 di giro  
1/4 turn ceramic head work

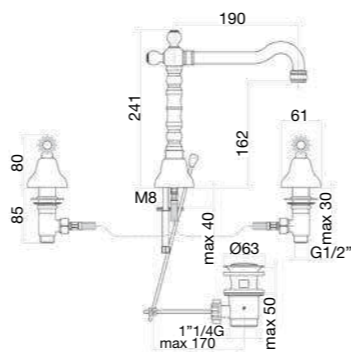
08 CR 0647

Batteria bidet, scarico aut. 1"1/4.

3-hole bidet mixer, 1"1/4 automatic pop up waste.

Mélangeur bidet à 3 trous, vidage automatique 1"1/4.

Смеситель для биде на 3 отверстия, авт. донный клапан 1"1/4.



Finitura / finishing / finition / Покрытие

CR	€ 347,00
CO	€ 381,00
RR / ZZ	€ 485,00
OO	€ 693,00
OZ / OR	€ 868,00

Vitone ceramico, 1/4 di giro  
1/4 turn ceramic head work

12,9 kg  
box pcs. 5

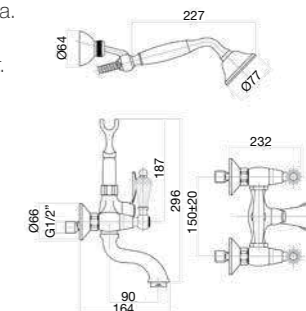
08 CR 0601

Gruppo vasca esterno con duplex, doccia ceramica bianca.

External bath mixer with shower set, white ceramic shower.

Mélangeur bain douche extérieur avec garniture, douche avec poignée en céramique.

Смеситель для ванны, внешний монтаж, душевой набор, белый душ из керамики.



Finitura / finishing / finition / Покрытие

CR	€ 352,00
CO	€ 387,00
RR / ZZ	€ 598,00
OO	€ 703,00
OZ / OR	€ 880,00

16,2 kg  
box pcs. 5

08 CR 0611  
Miscelatore vasca con duplex, doccia retrò.  
Bath mixer with shower set, old style shower.  
Mélangeur bain douche avec garniture, douche retrò.  
Смеситель для ванны, внешний монтаж, душевой набор, ручной душ "ретро".

Finitura / finishing / finition / Покрытие

CR	€ 345,00
CO	€ 379,00
RR / ZZ	€ 586,00
OO	€ 689,00
OZ / OR	€ 863,00

Vitone ceramico, 1/4 di giro  
1/4 turn ceramic head work

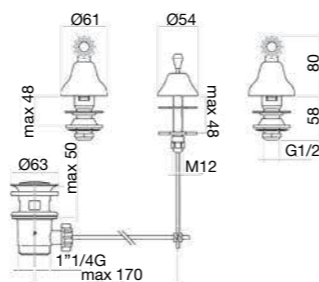
08 CR 0638

Batteria bidet, scarico aut. 1"1/4.

3-hole bidet mixer, 1"1/4 automatic pop up waste.

Mélangeur bidet à 3 trous, vidage automatique 1"1/4.

Смеситель для биде на 3 отверстия, авт. донный клапан 1"1/4.



Finitura / finishing / finition / Покрытие

CR	€ 258,00
CO	€ 284,00
RR / ZZ	€ 361,00
OO	€ 515,00
OZ / OR	€ 645,00

Vitone ceramico, 1/4 di giro  
1/4 turn ceramic head work

9,1 kg  
box pcs. 5

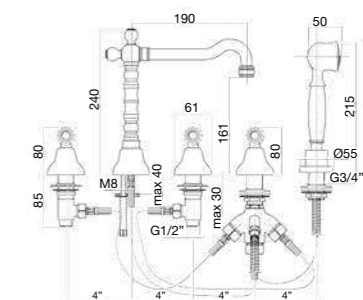
08 CR 0607

Batteria bordo vasca 5 fori.

5-hole bath mixer.

Mélangeur bain douche à 5 trous.

Смеситель наборный для ванны на 5 отверстий.



Finitura / finishing / finition / Покрытие

CR	€ 578,00
CO	€ 636,00
RR / ZZ	€ 983,00
OO	€ 1.157,00
OZ / OR	€ 1.445,00

23,25 kg  
box pcs. 5

Vitone ceramico, 1/4 di giro  
1/4 turn ceramic head work

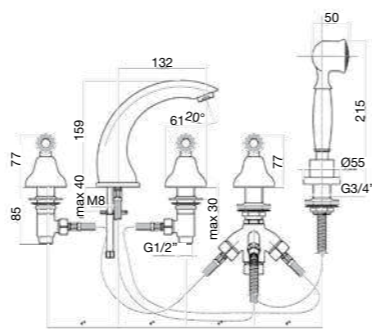
08 CR 0608

Batteria bordo vasca 5 fori.

5-hole bath mixer.

Mélangeur bain douche à 5 trous.

Смеситель наборный для ванны на 5 отверстий.



Vitone ceramico, 1/4 di giro  
1/4 turn ceramic head work



Finitura / finishing / finition / Покрытие

CR	€ 544,00
CO	€ 598,00
RR / ZZ	€ 924,00
OO	€ 1.088,00
OZ / OR	€ 1.360,00

25,4 kg  
box pcs. 5

08 CR 0602

Gruppo doccia esterno con duplex, doccia ceramica bianca.

External shower mixer with shower set, white ceramic shower.

Mélangeur douche extérieur avec garniture, douche céramique.

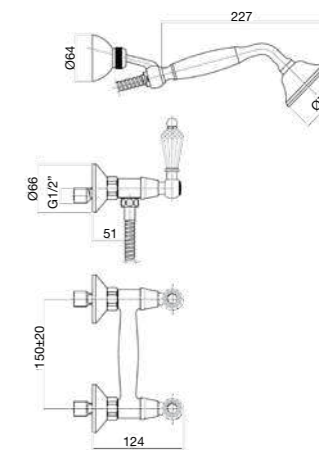
Смеситель для душа, внешний монтаж, душевой набор, ручной керамический душ.



12 kg  
box pcs. 5

Finitura / finishing / finition / Покрытие

CR	€ 264,00
CO	€ 290,00
RR / ZZ	€ 448,00
OO	€ 527,00
OZ / OR	€ 660,00



Vitone ceramico, 1/4 di giro  
1/4 turn ceramic head work

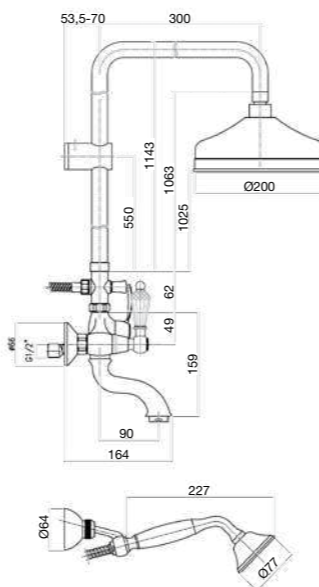
08 CR 0615

Gruppo vasca esterno con deviatore, colonna cm 114, soffione tondo in ottone Ø 200 mm e duplex, doccia ceramica bianca.

External bath mixer with diverter, cm 114 rail, Ø 200 mm round brass shower head, shower set, white ceramic shower.

Mélangeur bain douche extérieur avec inverseur, colonne cm 114 et pomme de douche ronde en laiton Ø 200 mm, garniture, douche avec poignée en céramique.

Смес.д/ванны, внешн.монтаж, переключатель, стойка 100см, лейка Ø200мм, душ.набор, белый душ из керамики.



Vitone ceramico, 1/4 di giro  
1/4 turn ceramic head work



Finitura / finishing / finition / Покрытие

CR	€ 622,00
CO	€ 684,00
RR / ZZ	€ 1.057,00
OO	€ 1.243,00
OZ / OR	€ 1.555,00

6,07 kg  
box pcs. 1

08 CR 0620

Gruppo doccia esterno con deviatore, colonna cm 114, soffione tondo in ottone Ø 200 mm, duplex, doccia ceramica bianca.

External shower mixer with diverter, cm 114 rail, Ø 200 mm round brass shower head, shower set, white ceramic shower.

Mélangeur douche extérieur avec inverseur, colonne cm 114, pomme de douche ronde en laiton Ø 200 mm, garniture, douche avec poignée en céramique.

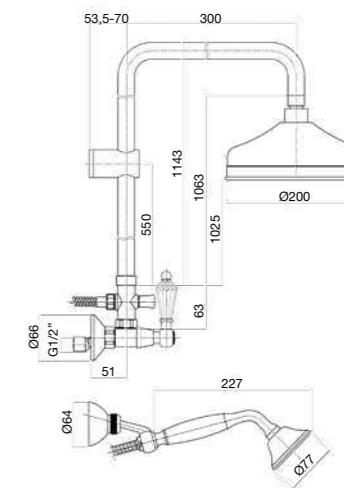
Смес. д/душа, внешн.монтаж, переключ., стойка 114см, лейка Ø200мм, душ.набор, ручн. белый душ из керамики.



5,26 kg  
box pcs. 1

Finitura / finishing / finition / Покрытие

CR	€ 572,00
CO	€ 629,00
RR / ZZ	€ 972,00
OO	€ 1.144,00
OZ / OR	€ 1.430,00



Vitone ceramico, 1/4 di giro  
1/4 turn ceramic head work

08 CR 0933

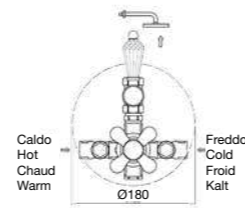
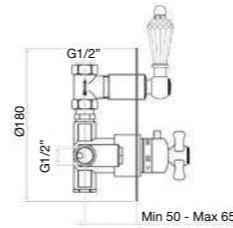


Miscelatore termostatico doccia incasso, un'uscita.

1-way built-in thermostatic shower mixer.

Mitigeur thermostatique douche à encastrer.

Термостат для душа, скрытый монтаж.



Finitura / finishing / finition / Покрытие

CR	€ 313,00
CO	€ 375,00
RR / ZZ	€ 563,00
OO	€ 625,00
OZ / OR	€ 783,00

Vitone ceramico, 1/4 di giro  
1/4 turn ceramic head work

20 kg  
box pcs. 5

08 CR 0934

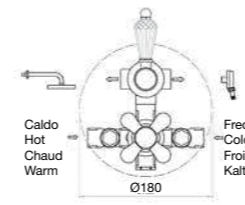
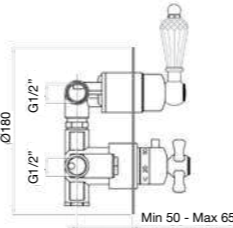


Miscelatore termostatico doccia incasso, due uscite.

2-way built-in thermostatic shower mixer.

Mitigeur thermostatique douche à encastrer, deux sorties.

Термостат для душа на 2 выхода, скрытый монтаж.



Finitura / finishing / finition / Покрытие

CR	€ 326,00
CO	€ 392,00
RR / ZZ	€ 587,00
OO	€ 652,00
OZ / OR	€ 815,00

Vitone ceramico, 1/4 di giro  
1/4 turn ceramic head work

22 kg  
box pcs. 5

08 CR 0935

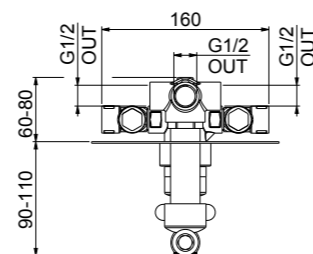
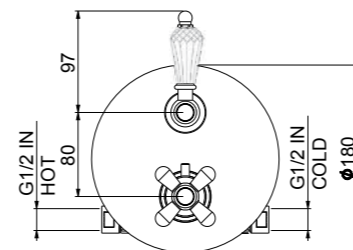


Miscelatore termostatico doccia incasso, tre uscite.

3-way built-in thermostatic shower mixer.

Mitigeur thermostatique douche à encastrer, trois sorties.

Термостат для душа на 3 выхода, скрытый монтаж.



Finitura / finishing / finition / Покрытие

CR	€ 378,00
CO	€ 454,00
RR / ZZ	€ 680,00
OO	€ 756,00
OZ / OR	€ 945,00

Vitone ceramico, 1/4 di giro  
1/4 turn ceramic head work

24 kg  
box pcs. 5

# Gioielli



08 CR 0625



08 CR 0635



08 CR 0602

08 CR 0610





# Gioielli Sky

— SWAROVSKI® è un marchio commerciale registrato di Swarovski AG

## Retró program

Finitura / finishing / finition / Покрытие

CR  
Cromo  
Chrome

CO  
Cromo / Oro  
Chrome / Gold

OO  
Oro  
Gold

ZZ  
Vecchio bronzo  
Old bronze

RR  
Vecchio rame  
Old copper

OZ  
Oro opaco spazzolato  
Brushed gold

OR  
Oro rosa  
Rose gold



09 CR 0623 01

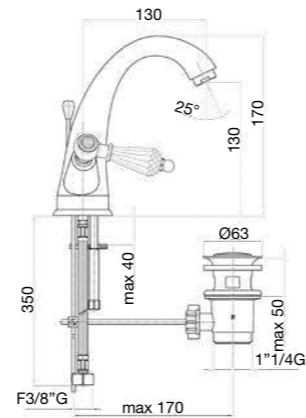


Monoforo lavabo collo alto, scarico automatico 1"1/4, flex cm 35 3/8" F.

High basin mixer, 1"1/4 automatic pop up waste, flex cm 35 3/8" F.

Mélangeur monotrou lavabo, bec haut, vidage automatique 1"1/4, flexibles cm 35 3/8" F.

Смеситель высокий для умывальника на 1 отверстие, авт. донный клапан 1"1/4, гибкая подводка 35 см 3/8" F.



Finitura / finishing / finition / Покрытие

CR	€ 319,00
CO	€ 350,00
RR / ZZ	€ 446,00
OO	€ 637,00
OZ / OR	€ 798,00

Vitone ceramico, 1/4 di giro  
1/4 turn ceramic head work

09 CR 0623 02

13,35 kg  
box pcs. 5

09 CR 0637

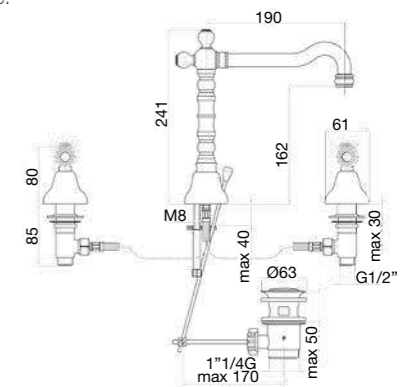


Batteria lavabo, scarico automatico 1"1/4.

3-hole basin mixer, 1"1/4 automatic pop up waste.

Mélangeur lavabo à 3 trous, vidage automatique 1"1/4.

Смеситель для умывальника на 3 отверстия, авт. донный клапан 1"1/4.



Finitura / finishing / finition / Покрытие

CR	€ 403,00
CO	€ 444,00
RR / ZZ	€ 565,00
OO	€ 807,00
OZ / OR	€ 1.008,00

Vitone ceramico, 1/4 di giro  
1/4 turn ceramic head work

14 kg  
box pcs. 5

09 CR 0625 01

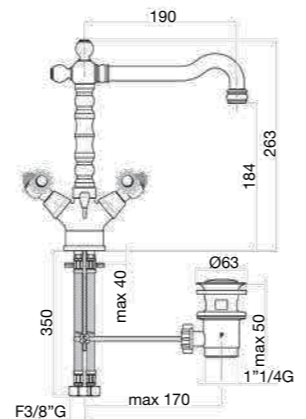


Monoforo lavabo, scarico automatico 1"1/4, flex cm 35 3/8" F.

One hole basin mixer, 1"1/4 automatic pop up waste, flex cm 35 3/8" F.

Mélangeur monotrou lavabo, vidage automatique 1"1/4, flexibles cm 35 3/8" F.

Смеситель для умывальника на 1 отверстие, излив "ретро", авт. донный клапан 1"1/4, гибкая подводка 35 см 3/8" F.



Finitura / finishing / finition / Покрытие

CR	€ 347,00
CO	€ 382,00
RR / ZZ	€ 486,00
OO	€ 694,00
OZ / OR	€ 868,00

Vitone ceramico, 1/4 di giro  
1/4 turn ceramic head work

09 CR 0625 02

11,5 kg  
box pcs. 5

09 CR 0636

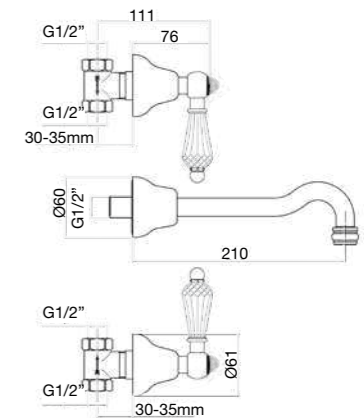


Batteria lavabo a muro, bocca 210 mm.

Wall basin mixer, spout 210 mm.

Mélangeur lavabo mural, bec 210 mm.

Смеситель для умывальника на 3 отверстия, скрытый настенный монтаж.



Finitura / finishing / finition / Покрытие

CR	€ 338,00
CO	€ 372,00
RR / ZZ	€ 473,00
OO	€ 676,00
OZ / OR	€ 845,00

Vitone ceramico, 1/4 di giro  
1/4 turn ceramic head work

12 kg  
box pcs. 5

09 CR 0628

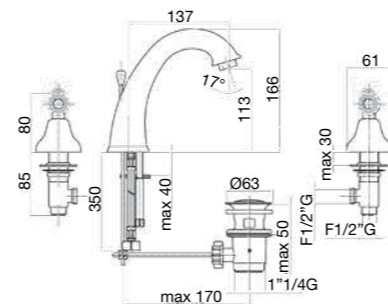


Batteria lavabo, scarico automatico 1"1/4.

3-hole basin mixer, 1"1/4 automatic pop up waste.

Mélangeur lavabo à 3 trous, vidage automatique 1"1/4.

Смеситель для умывальника на 3 отверстия, авт. донный клапан 1"1/4.



Finitura / finishing / finition / Покрытие

CR	€ 338,00
CO	€ 372,00
RR / ZZ	€ 473,00
OO	€ 675,00
OZ / OR	€ 845,00

Vitone ceramico, 1/4 di giro  
1/4 turn ceramic head work

14,5 kg  
box pcs. 5

09 CR 0632 01

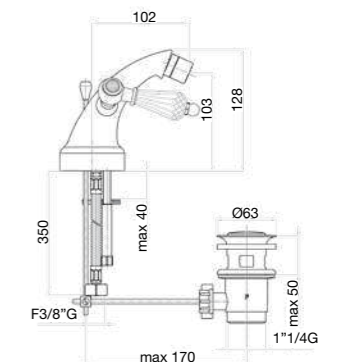


Monoblocco bidet, scarico aut. 1"1/4, tubi flex cm 35 3/8" F.

One hole bidet mixer, 1"1/4 automatic pop up waste, flex cm 35 3/8" F.

Mélangeur monotrou bidet, vidage automatique 1"1/4, flexibles cm 35 3/8" F.

Смеситель для биде на 1 отверстие, авт. донный клапан 1"1/4, гибкая подводка 35 см 3/8" F.



Finitura / finishing / finition / Покрытие

CR	€ 328,00
CO	€ 361,00
RR / ZZ	€ 460,00
OO	€ 681,00
OZ / OR	€ 820,00

Vitone ceramico, 1/4 di giro  
1/4 turn ceramic head work

09 CR 0632 02

13,3 kg  
box pcs. 5

**09 CR 0635 01**

Monoforo bidet, scarico aut. 1"1/4, tubi flex cm 35 3/8" F.

One hole bidet mixer, 1"1/4 automatic pop up waste, flex cm 35 3/8" F.

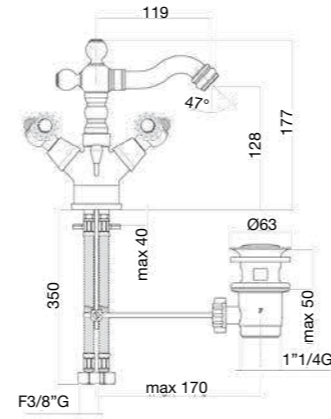
Mélangeur monotrou bidet, bec rétro, vidage automatique 1"1/4, flexibles cm 35 3/8" F.

Смеситель для биде на 1 отверстие, авт. донный клапан 1"1/4, гибкая подводка 35 см 3/8" F.



Finitura / finishing / finition / Покрытие

CR	€ 334,00
CO	€ 367,00
RR / ZZ	€ 467,00
OO	€ 667,00
OZ / OR	€ 835,00



Vitone ceramico, 1/4 di giro  
1/4 turn ceramic head work

10,85 kg  
box pcs. 5

10,85 kg  
box pcs. 5

**09 CR 0600**

Gruppo vasca esterno con flex e doccia ceramica bianca.

External bath mixer with flex and white ceramic shower.

Mélangeur bain douche extérieur avec flexible et douche avec poignée en céramique.

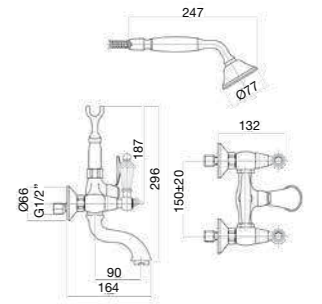
Смеситель для ванны, внешний монтаж, гибкая подводка, ручной душ из керамики.



Finitura / finishing / finition / Покрытие

CR	€ 386,00
CO	€ 425,00
RR / ZZ	€ 657,00
OO	€ 772,00
OZ / OR	€ 965,00

16,7 kg  
box pcs. 5



09 CR 0610  
Miscelatore vasca con flex e doccia retrò.  
Bath mixer with flex and old style shower.  
Mélangeur bain douche avec flexible et douche retrò.  
Смеситель для ванны, внешний монтаж, гибкая подводка, ручной душ "ретро".

Finitura / finishing / finition / Покрытие

CR	€ 379,00
CO	€ 417,00
RR / ZZ	€ 644,00
OO	€ 758,00
OZ / OR	€ 948,00

Vitone ceramico, 1/4 di giro  
1/4 turn ceramic head work

**09 CR 0647**

Batteria bidet, scarico aut. 1"1/4.

3-hole bidet mixer, 1"1/4 automatic pop up waste.

Mélangeur bidet à 3 trous, vidage automatique 1"1/4.

Смеситель для биде на 3 отверстия, авт. донный клапан 1"1/4.

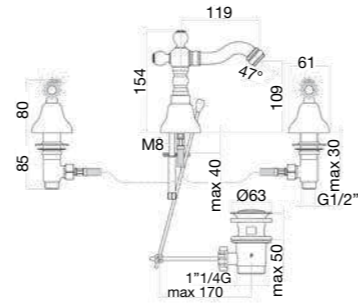


Finitura / finishing / finition / Покрытие

CR	€ 390,00
CO	€ 429,00
RR / ZZ	€ 546,00
OO	€ 780,00
OZ / OR	€ 975,00

12,9 kg  
box pcs. 5

12,9 kg  
box pcs. 5



Vitone ceramico, 1/4 di giro  
1/4 turn ceramic head work

**09 CR 0601**

Gruppo vasca esterno con duplex, doccia ceramica bianca.

External bath mixer with shower set, white ceramic shower.

Mélangeur bain douche extérieur avec garniture, douche avec poignée en céramique.

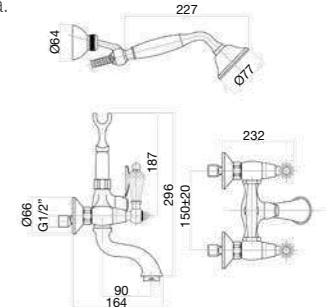
Смеситель для ванны, внешний монтаж, душевой набор, белый душ из керамики.



Finitura / finishing / finition / Покрытие

CR	€ 395,00
CO	€ 434,00
RR / ZZ	€ 671,00
OO	€ 789,00
OZ / OR	€ 988,00

16,2 kg  
box pcs. 5



08 CR 0611  
Miscelatore vasca con duplex, doccia retrò.  
Bath mixer with shower set, old style shower.  
Mélangeur bain douche avec garniture, douche retrò.  
Смеситель для ванны, внешний монтаж, душевой набор, ручной душ "ретро".

Finitura / finishing / finition / Покрытие

CR	€ 388,00
CO	€ 427,00
RR / ZZ	€ 659,00
OO	€ 775,00
OZ / OR	€ 970,00

Vitone ceramico, 1/4 di giro  
1/4 turn ceramic head work

**09 CR 0638**

Batteria bidet, scarico aut. 1"1/4.

3-hole bidet mixer, 1"1/4 automatic pop up waste.

Mélangeur bidet à 3 trous, vidage automatique 1"1/4.

Смеситель для биде на 3 отверстия, авт. донный клапан 1"1/4.

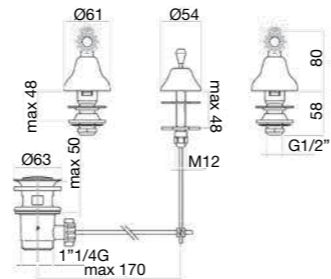


Finitura / finishing / finition / Покрытие

CR	€ 301,00
CO	€ 331,00
RR / ZZ	€ 421,00
OO	€ 602,00
OZ / OR	€ 753,00

9,1 kg  
box pcs. 5

9,1 kg  
box pcs. 5



Vitone ceramico, 1/4 di giro  
1/4 turn ceramic head work

**09 CR 0607**

Batteria bordo vasca 5 fori.

5-hole bath mixer.

Mélangeur bain douche à 5 trous.

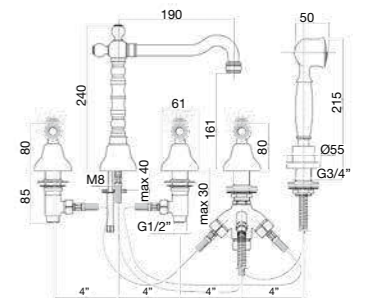
Смеситель наборный для ванны на 5 отверстий.



Finitura / finishing / finition / Покрытие

CR	€ 643,00
CO	€ 707,00
RR / ZZ	€ 1.094,00
OO	€ 1.286,00
OZ / OR	€ 1.608,00

23,25 kg  
box pcs. 5



Vitone ceramico, 1/4 di giro  
1/4 turn ceramic head work

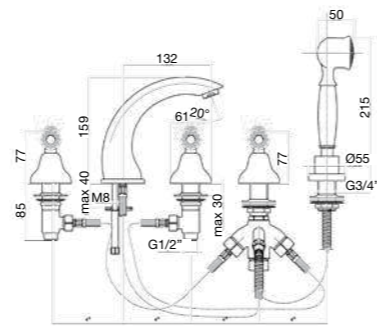
09 CR 0608

Batteria bordo vasca 5 fori.

5-hole bath mixer.

Mélangeur bain douche à 5 trous.

Смеситель наборный для ванны на 5 отверстий.

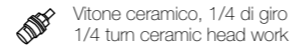


Finitura / finishing / finition / Покрытие

CR	€ 609,00
CO	€ 670,00
RR / ZZ	€ 1.035,00
OO	€ 1.217,00
OZ / OR	€ 1.523,00



25,4 kg  
box pcs. 5



Vitone ceramico, 1/4 di giro  
1/4 turn ceramic head work

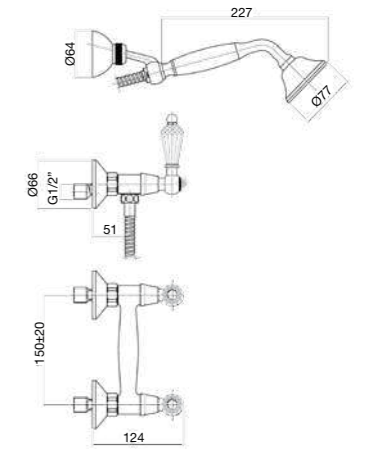
09 CR 0602

Gruppo doccia esterno con duplex, doccia ceramica bianca.

External shower mixer with shower set, white ceramic shower.

Mélangeur douche extérieur avec garniture, douche céramique.

Смеситель для душа, внешний монтаж, душевой набор, ручной керамический душ.



Finitura / finishing / finition / Покрытие

CR	€ 307,00
CO	€ 368,00
RR / ZZ	€ 552,00
OO	€ 613,00
OZ / OR	€ 768,00



12 kg  
box pcs. 5



Vitone ceramico, 1/4 di giro  
1/4 turn ceramic head work

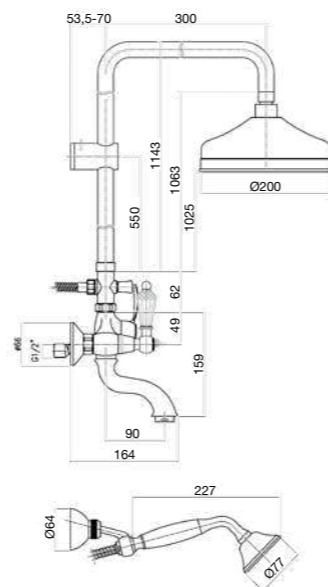
09 CR 0615

Gruppo vasca esterno con deviatore, colonna cm 114, soffione in ottone Ø 200 mm e duplex, doccia ceramica bianca.

External bath mixer with diverter, cm 114 rail, Ø 200 mm brass shower head, shower set, white ceramic shower.

Mélangeur bain douche extérieur avec inverseur, colonne cm 114 et pomme de douche ronde en laiton Ø 200 mm, garniture, douche avec poignée en céramique.

Смес.д/ванны, внешн.монтаж, переключатель, стойка 100см, лейка Ø200мм, душ.набор, белый душ из керамики.

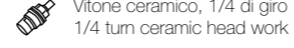


Finitura / finishing / finition / Покрытие

CR	€ 665,00
CO	€ 731,00
RR / ZZ	€ 1.130,00
OO	€ 1.329,00
OZ / OR	€ 1.663,00



6,07 kg  
box pcs. 1



Vitone ceramico, 1/4 di giro  
1/4 turn ceramic head work

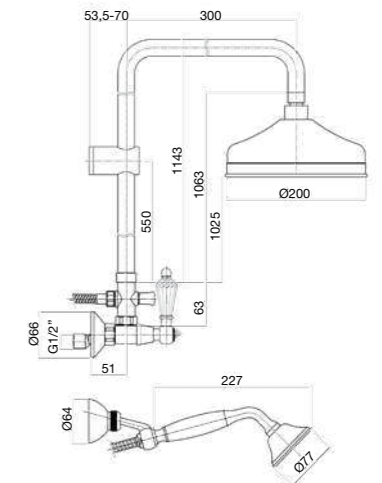
09 CR 0620

Gruppo doccia esterno con deviatore, colonna cm 114, soffione tondo in ottone Ø 200 mm, duplex, doccia ceramica bianca.

External shower mixer with diverter, cm 114 rail, Ø 200 mm round brass shower head, shower set, white ceramic shower.

Mélangeur douche extérieur avec inverseur, colonne cm 114, pomme de douche ronde en laiton Ø 200 mm, garniture, douche avec poignée en céramique.

Смес. д/душа, внешн.монтаж, переключ., стойка 114см, лейка Ø200мм, душ.набор, ручн. белый душ из керамики.

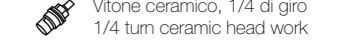


Finitura / finishing / finition / Покрытие

CR	€ 615,00
CO	€ 738,00
RR / ZZ	€ 1.107,00
OO	€ 1.230,00
OZ / OR	€ 1.538,00



5,26 kg  
box pcs. 1



Vitone ceramico, 1/4 di giro  
1/4 turn ceramic head work

09 CR 0936

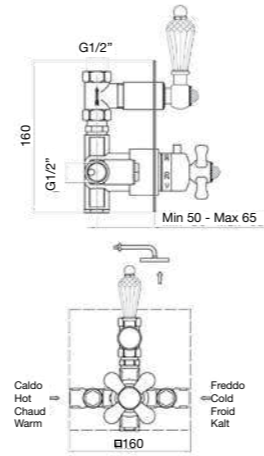


Miscelatore termostatico doccia incasso, un'uscita.

1-way built-in thermostatic shower mixer.

Mitigeur thermostatique douche à encastrer.

Термостат для душа, скрытый монтаж.



Finitura / finishing / finition / Покрытие

CR	€ 329,00
CO	€ 395,00
RR / ZZ	€ 592,00
OO	€ 658,00
OZ / OR	€ 823,00

Vitone ceramico, 1/4 di giro  
1/4 turn ceramic head work

20 kg  
box pcs. 5

09 CR 0937

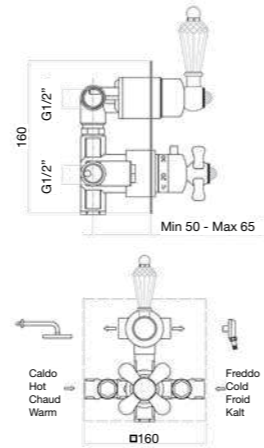


Miscelatore termostatico doccia incasso, due uscite.

2-way built-in thermostatic shower mixer.

Mitigeur thermostatique douche à encastrer, deux sorties.

Термостат для душа на 2 выхода, скрытый монтаж.



Finitura / finishing / finition / Покрытие

CR	€ 342,00
CO	€ 411,00
RR / ZZ	€ 616,00
OO	€ 685,00
OZ / OR	€ 855,00

Vitone ceramico, 1/4 di giro  
1/4 turn ceramic head work

22 kg  
box pcs. 5

09 CR 0938

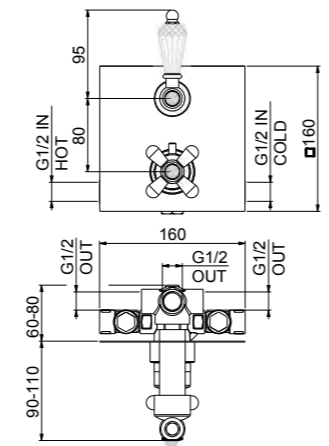


Miscelatore termostatico doccia incasso, tre uscite.

3-way built-in thermostatic shower mixer.

Mitigeur thermostatique douche à encastrer, trois sorties.

Термостат для душа на 3 выхода, скрытый монтаж.



Finitura / finishing / finition / Покрытие

CR	€ 394,00
CO	€ 473,00
RR / ZZ	€ 710,00
OO	€ 788,00
OZ / OR	€ 985,00

Vitone ceramico, 1/4 di giro  
1/4 turn ceramic head work

24 kg  
box pcs. 5

# Gioielli Sky



09 CR 0615



09 CR 0628

09 CR 0608



# Venere Sky

— SWAROVSKI® è un marchio commerciale registrato di Swarovski AG

## Retró program

Finitura / finishing / finition / Покрытие

CR  
Cromo  
Chrome

CO  
Cromo / Oro  
Chrome / Gold

OO  
Oro  
Gold

ZZ  
Vecchio bronzo  
Old bronze

RR  
Vecchio rame  
Old copper

OZ  
Oro opaco spazzolato  
Brushed gold

OR  
Oro rosa  
Rose gold



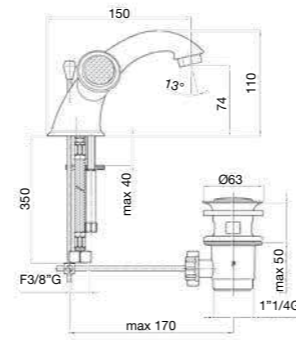
13 CR 0622 01

Monoblocco lavabo, scarico automatico 1"1/4, flex cm 35 3/8"F.

One hole basin mixer, 1"1/4 automatic pop up waste, flex cm 35 3/8"F.

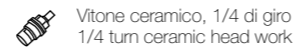
Mélangeur monotrou lavabo, vidage automatique 1"1/4, flexibles cm 35 3/8"F.

Смеситель для умывальника на 1 отверстие, авт. донный клапан 1"1/4, гибкая подводка 35 см 3/8"F.



Finitura / finishing / finition / Покрытие

CR	€ 212,00
CO	€ 233,00
RR / ZZ	€ 297,00
OO	€ 424,00
OZ / OR	€ 530,00



1/2 13 CR 0622 02

11,6 kg box pcs. 5

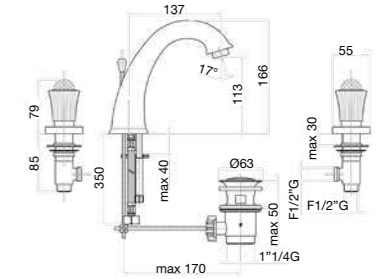
13 CR 0628

Batteria lavabo, scarico automatico 1"1/4.

3-hole basin mixer, 1"1/4 automatic pop up waste.

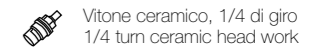
Mélangeur lavabo à 3 trous, vidage automatique 1"1/4.

Смеситель для умывальника на 3 отверстия, авт. донный клапан 1"1/4.



Finitura / finishing / finition / Покрытие

CR	€ 251,00
CO	€ 276,00
RR / ZZ	€ 352,00
OO	€ 502,00
OZ / OR	€ 628,00



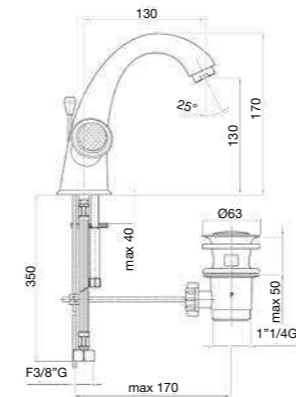
13 CR 0623 01

Monoforo lavabo collo alto, scarico automatico 1"1/4, flex cm 35 3/8"F.

High basin mixer, 1"1/4 automatic pop up waste, flex cm 35 3/8"F.

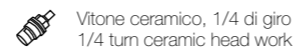
Mélangeur monotrou lavabo, bec haut, vidage automatique 1"1/4, flexibles cm 35 3/8"F.

Смеситель высокий для умывальника на 1 отверстие, авт. донный клапан 1"1/4, гибкая подводка 35 см 3/8"F.



Finitura / finishing / finition / Покрытие

CR	€ 225,00
CO	€ 248,00
RR / ZZ	€ 315,00
OO	€ 450,00
OZ / OR	€ 563,00



1/2 13 CR 0623 02

13,35 kg box pcs. 5

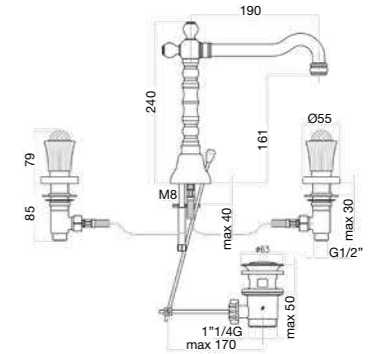
13 CR 0637

Batteria lavabo, scarico automatico 1"1/4.

3-hole basin mixer, 1"1/4 automatic pop up waste.

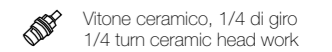
Mélangeur lavabo à 3 trous, vidage automatique 1"1/4.

Смеситель для умывальника на 3 отверстия, авт. донный клапан 1"1/4.



Finitura / finishing / finition / Покрытие

CR	€ 317,00
CO	€ 349,00
RR / ZZ	€ 444,00
OO	€ 634,00
OZ / OR	€ 793,00



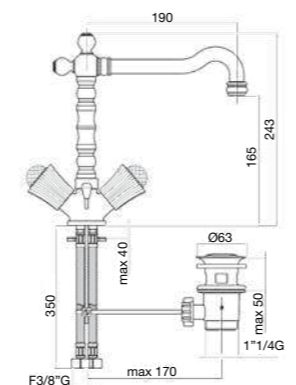
13 CR 0625 01

Monoforo lavabo, scarico automatico 1"1/4, flex cm 35 3/8"F.

One hole basin mixer, 1"1/4 automatic pop up waste, flex cm 35 3/8"F.

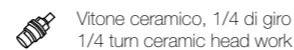
Mélangeur monotrou lavabo, vidage automatique 1"1/4, flexibles cm 35 3/8"F.

Смеситель для умывальника на 1 отверстие, излив "ретро", авт. донный клапан 1"1/4, гибкая подводка 35 см 3/8"F.



Finitura / finishing / finition / Покрытие

CR	€ 252,00
CO	€ 278,00
RR / ZZ	€ 353,00
OO	€ 504,00
OZ / OR	€ 630,00



1/2 13 CR 0625 02

11,5 kg box pcs. 5

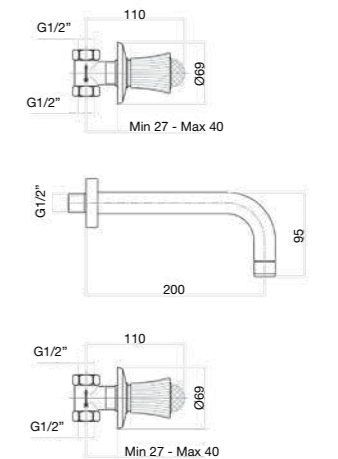
13 CR 0627

Batteria lavabo a muro, bocca 210 mm.

Wall basin mixer, spout 210 mm.

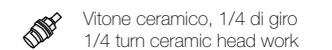
Mélangeur lavabo mural, bec 210 mm.

Смеситель для умывальника на 3 отверстия, скрытый настенный монтаж.



Finitura / finishing / finition / Покрытие

CR	€ 204,00
CO	€ 224,00
RR / ZZ	€ 285,00
OO	€ 407,00
OZ / OR	€ 510,00



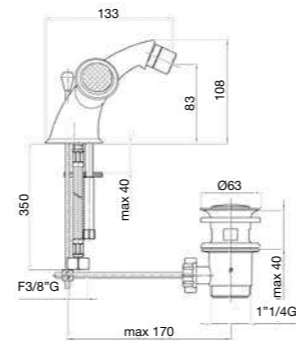
13 CR 0632 01

Monoblocco bidet, scarico aut. 1"1/4, tubi flex cm. 35 3/8"F.

One hole bidet mixer, 1"1/4 automatic pop up waste, flex cm 35 3/8"F.

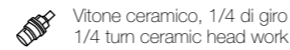
Mélangeur monotrou bidet, vidage automatique 1"1/4, flexibles cm 35 3/8"F.

Смеситель для биде на 1 отверстие, авт. донный клапан 1"1/4, гибкая подводка 35 см 3/8"F.



Finitura / finishing / finition / Покрытие

CR	€ 212,00
CO	€ 233,00
RR / ZZ	€ 297,00
OO	€ 424,00
OZ / OR	€ 530,00



1/2 13 CR 0632 02

13,3 kg  
box pcs. 5

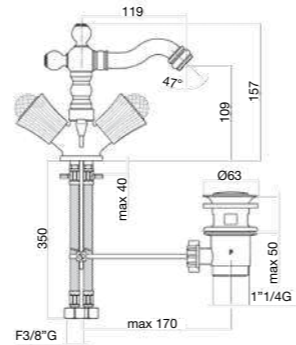
13 CR 0635 01

Monoforo bidet, scarico aut. 1"1/4, tubi flex cm 35 3/8"F.

One hole bidet mixer, 1"1/4 automatic pop up waste, flex cm 35 3/8"F.

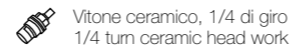
Mélangeur monotrou bidet, bec rétro, vidage automatique 1"1/4, flexibles cm 35 3/8"F.

Смеситель для биде на 1 отверстие, авт. донный клапан 1"1/4, гибкая подводка 35 см 3/8"F.



Finitura / finishing / finition / Покрытие

CR	€ 239,00
CO	€ 262,00
RR / ZZ	€ 334,00
OO	€ 477,00
OZ / OR	€ 598,00



1/2 13 CR 0635 02

10,85 kg  
box pcs. 5

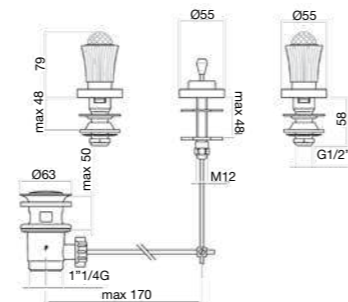
13 CR 0638

Batteria bidet, scarico aut. 1"1/4.

3-hole bidet mixer, 1"1/4 automatic pop up waste.

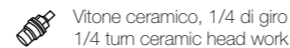
Mélangeur bidet à 3 trous, vidage automatique 1"1/4.

Смеситель для биде на 3 отверстия, авт. донный клапан 1"1/4.



Finitura / finishing / finition / Покрытие

CR	€ 234,00
CO	€ 258,00
RR / ZZ	€ 328,00
OO	€ 469,00
OZ / OR	€ 585,00



8,8 kg  
box pcs. 5

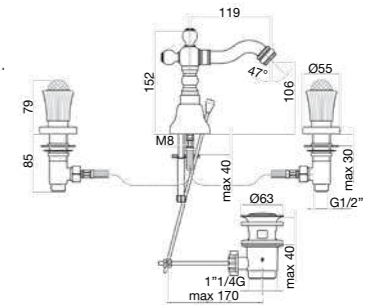
13 CR 0647

Batteria bidet, scarico aut. 1"1/4.

3-hole bidet mixer, 1"1/4 automatic pop up waste.

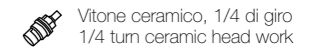
Mélangeur bidet à 3 trous, vidage automatique 1"1/4.

Смеситель для биде на 3 отверстия, авт. донный клапан 1"1/4.



Finitura / finishing / finition / Покрытие

CR	€ 303,00
CO	€ 334,00
RR / ZZ	€ 425,00
OO	€ 607,00
OZ / OR	€ 758,00



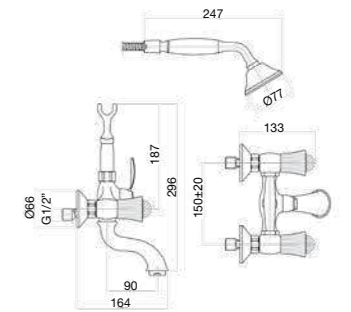
13 CR 0600

Gruppo vasca esterno con flex e doccia ceramica bianca.

External bath mixer with flex and white ceramic shower.

Mélangeur bain douche extérieur avec flexible et douche avec poignée en céramique.

Смеситель для ванны, внешний монтаж, гибкая подводка, ручной душ из керамики.



Finitura / finishing / finition / Покрытие

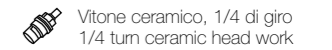
CR	€ 300,00
CO	€ 330,00
RR / ZZ	€ 510,00
OO	€ 599,00
OZ / OR	€ 750,00



13 CR 0610  
Miscelatore vasca con flex e doccia retrò.  
Bath mixer with flex and old style shower.  
Mélangeur bain douche avec flexible et douche rétro.  
Смеситель для ванны, внешний монтаж, гибкая подводка, ручной душ "ретро".

Finitura / finishing / finition / Покрытие

CR	€ 293,00
CO	€ 322,00
RR / ZZ	€ 497,00
OO	€ 585,00
OZ / OR	€ 733,00



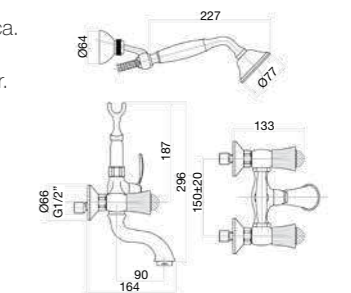
13 CR 0601

Gruppo vasca esterno con duplex, doccia ceramica bianca.

External bath mixer with shower set, white ceramic shower.

Mélangeur bain douche extérieur avec garniture, douche avec poignée en céramique.

Смеситель для ванны, внешний монтаж, душевой набор, белый душ из керамики.



Finitura / finishing / finition / Покрытие

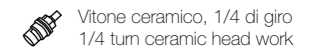
CR	€ 308,00
CO	€ 339,00
RR / ZZ	€ 524,00
OO	€ 617,00
OZ / OR	€ 770,00



13 CR 0611  
Miscelatore vasca con duplex, doccia retrò.  
Bath mixer with shower set, old style shower.  
Mélangeur bain douche avec garniture, douche rétro.  
Смеситель для ванны, внешний монтаж, душевой набор, ручной душ "ретро".

Finitura / finishing / finition / Покрытие

CR	€ 301,00
CO	€ 332,00
RR / ZZ	€ 512,00
OO	€ 603,00
OZ / OR	€ 753,00





13 CR 0607



Batteria bordo vasca 5 fori.

5-hole bath mixer.

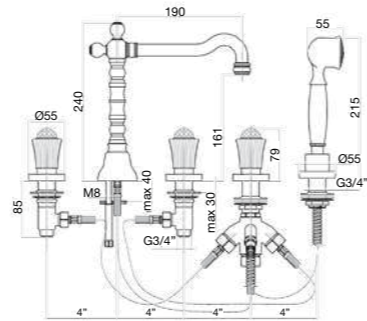
Mélangeur bain douche à 5 trous.

Смеситель наборный для ванны на 5 отверстий.

Finitura / finishing / finition / Покрытие

CR	€ 514,00
CO	€ 565,00
RR / ZZ	€ 873,00
OO	€ 1.027,00
OZ / OR	€ 1.285,00

22,8 kg  
box pcs. 5



Vitone ceramico, 1/4 di giro  
1/4 turn ceramic head work

13 CR 0608



Batteria bordo vasca 5 fori.

5-hole bath mixer.

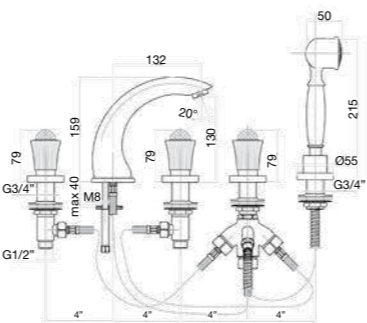
Mélangeur bain douche à 5 trous.

Смеситель наборный для ванны на 5 отверстий.

Finitura / finishing / finition / Покрытие

CR	€ 479,00
CO	€ 527,00
RR / ZZ	€ 814,00
OO	€ 958,00
OZ / OR	€ 1.198,00

25,95 kg  
box pcs. 5



Vitone ceramico, 1/4 di giro  
1/4 turn ceramic head work

13 CR 0602



Gruppo doccia esterno con duplex, doccia ceramica bianca.

External shower mixer with shower set, white ceramic shower.

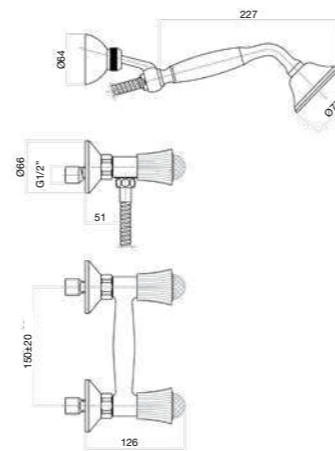
Mélangeur douche extérieur avec garniture, douche céramique.

Смеситель для душа, внешний монтаж, душевой набор, ручной керамический душ.

Finitura / finishing / finition / Покрытие

CR	€ 220,00
CO	€ 242,00
RR / ZZ	€ 375,00
OO	€ 441,00
OZ / OR	€ 550,00

12 kg  
box pcs. 5



Vitone ceramico, 1/4 di giro  
1/4 turn ceramic head work

13 CR 0615



Gruppo vasca esterno con deviatore, colonna cm 114, soffione in ottone Ø 200 mm e duplex, doccia ceramica bianca.

External bath mixer with diverter, cm 114 rail, Ø 200 mm brass shower head, shower set, white ceramic shower.

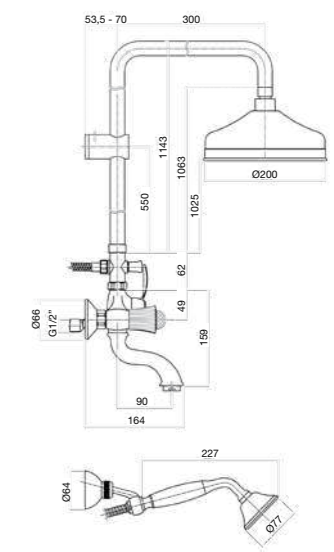
Mélangeur bain douche extérieur avec inverseur, colonne cm 114 et pomme de douche ronde en laiton Ø 200 mm, garniture, douche avec poignée en céramique.

Смес.д/ванны, внешн.монтаж, переключатель, стойка 100см, лейка Ø200мм, душ.набор, белый душ из керамики.

Finitura / finishing / finition / Покрытие

CR	€ 578,00
CO	€ 636,00
RR / ZZ	€ 983,00
OO	€ 1.157,00
OZ / OR	€ 1.445,00

6 kg  
box pcs. 1



Vitone ceramico, 1/4 di giro  
1/4 turn ceramic head work

13 CR 0620



Gruppo doccia esterno con deviatore, colonna cm 114, soffione in ottone Ø 200 mm, duplex, doccia ceramica bianca.

External shower mixer with diverter, cm 114 rail, Ø 200 mm brass shower head, shower set, white ceramic shower.

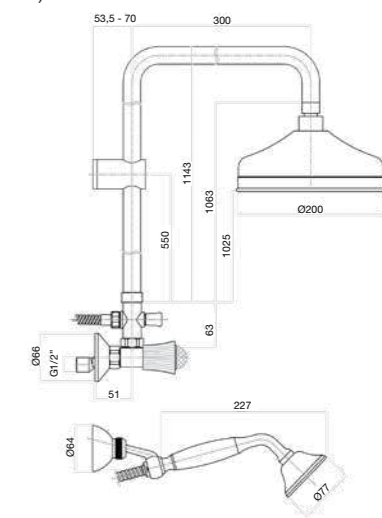
Mélangeur douche extérieur avec inverseur, colonne cm 114, pomme de douche ronde en laiton Ø 200 mm, garniture, douche avec poignée en céramique.

Смес. д/душа, внешн.монтаж,переключ., стойка 114см, лейка Ø200мм, душ.набор,ручн.белый душ из керамики.

Finitura / finishing / finition / Покрытие

CR	€ 529,00
CO	€ 582,00
RR / ZZ	€ 899,00
OO	€ 1.057,00
OZ / OR	€ 1.323,00

5,2 kg  
box pcs. 1



Vitone ceramico, 1/4 di giro  
1/4 turn ceramic head work

# XT sky

— SWAROVSKI® è un marchio commerciale registrato di Swarovski AG

## Retró program

Finitura / finishing / finition / Покрытие

CR  
Cromo  
Chrome

CO  
Cromo / Oro  
Chrome / Gold

OO  
Oro  
Gold

ZZ  
Vecchio bronzo  
Old bronze

RR  
Vecchio rame  
Old copper

OZ  
Oro opaco spazzolato  
Brushed gold

OR  
Oro rosa  
Rose gold



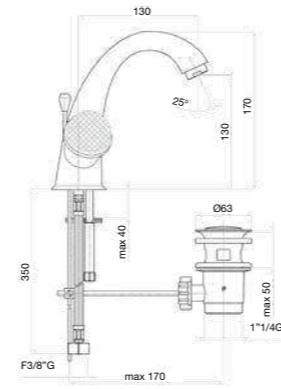
17 CR 0623 01

Monoblocco lavabo, scarico automatico 1"1/4, flex cm 35 3/8"F.

One hole basin mixer, 1"1/4 automatic pop up waste, flex cm 35 3/8"F.

Mélangeur monotrou lavabo, vidage automatique 1"1/4, flexibles cm 35 3/8"F.

Смеситель для умывальника на 1 отверстие, авт. донный клапан 1"1/4, гибкая подводка 35 см 3/8"F.



Finitura / finishing / finition / Покрытие

CR	€ 301,00
CO	€ 331,00
RR / ZZ	€ 421,00
OO	€ 602,00
OZ / OR	€ 753,00

Vitone ceramico, 1/4 di giro  
1/4 turn ceramic head work

17 CR 0623 02

14,65 kg  
box pcs. 5

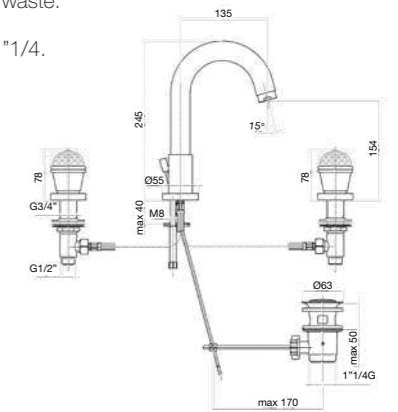
17 CR 0528

Batteria lavabo 3 fori, scarico automatico 1"1/4.

3-hole wash basin mixer, 1"1/4 automatic pop up waste.

Mélangeur lavabo à 3 trous, vidage automatique 1"1/4.

Смеситель для умывальника на 3 отверстия, авт. донный клапан 1"1/4.



Finitura / finishing / finition / Покрытие

CR	€ 353,00
CO	€ 424,00
RR / ZZ	€ 530,00
OO	€ 706,00
OZ / OR	€ 883,00

16,5 kg  
box pcs. 5

Vitone ceramico, 1/4 di giro  
1/4 turn ceramic head work

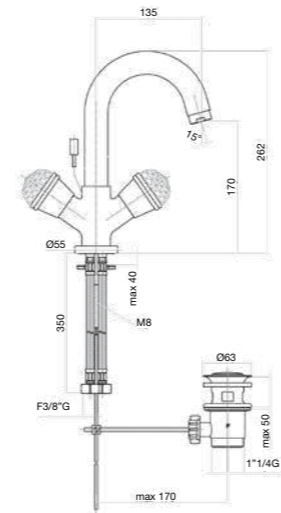
17 CR 0522 01

Monoforo lavabo collo alto, scarico automatico 1"1/4, flex cm 35 3/8"F.

One hole basin mixer, 1"1/4 automatic pop up waste, flex cm 35 3/8"F.

Mélangeur monotrou lavabo, bec haut, vidage automatique 1"1/4, flexibles cm 35 3/8"F.

Смеситель высокий для умывальника на 1 отверстие, авт. донный клапан 1"1/4, гибкая подводка 35 см 3/8"F.



Finitura / finishing / finition / Покрытие

CR	€ 319,00
CO	€ 382,00
RR / ZZ	€ 478,00
OO	€ 637,00
OZ / OR	€ 798,00

Vitone ceramico, 1/4 di giro  
1/4 turn ceramic head work

17 CR 0522 02

15,55 kg  
box pcs. 5

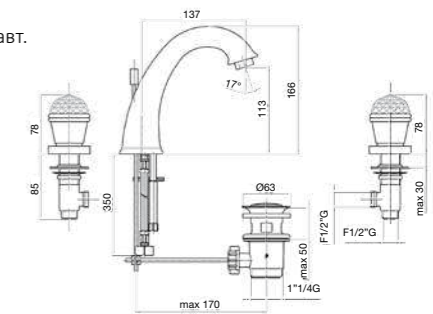
17 CR 0628

Batteria lavabo 3 fori, scarico automatico 1"1/4.

3-hole wash basin mixer, 1"1/4 automatic pop up waste.

Mélangeur lavabo à 3 trous, vidage automatique 1"1/4.

Смеситель для умывальника на 3 отверстия, авт. донный клапан 1"1/4.



Finitura / finishing / finition / Покрытие

CR	€ 327,00
CO	€ 360,00
RR / ZZ	€ 457,00
OO	€ 653,00
OZ / OR	€ 818,00

15,8 kg  
box pcs. 5

Vitone ceramico, 1/4 di giro  
1/4 turn ceramic head work

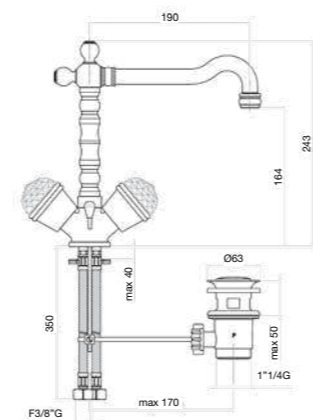
17 CR 0625 01

Monoforo lavabo, scarico automatico 1"1/4, flex cm 35 3/8"F.

One hole basin mixer, 1"1/4 automatic pop up waste, flex cm 35 3/8"F.

Mélangeur monotrou lavabo, vidage automatique 1"1/4, flexibles cm 35 3/8"F.

Смеситель для умывальника на 1 отверстие, излив "ретро", авт. донный клапан 1"1/4, гибкая подводка 35 см 3/8"F.



Finitura / finishing / finition / Покрытие

CR	€ 328,00
CO	€ 361,00
RR / ZZ	€ 459,00
OO	€ 656,00
OZ / OR	€ 820,00

Vitone ceramico, 1/4 di giro  
1/4 turn ceramic head work

17 CR 0625 02

12,8 kg  
box pcs. 5

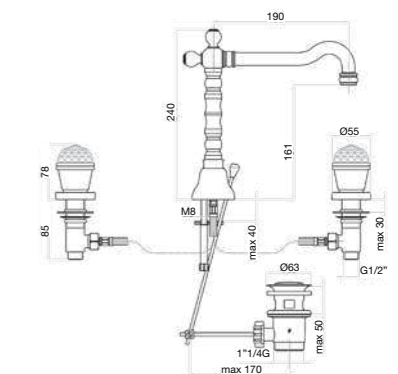
17 CR 0637

Batteria lavabo 3 fori, scarico automatico 1"1/4.

3-hole wash basin mixer, 1"1/4 automatic pop up waste.

Mélangeur lavabo à 3 trous, vidage automatique 1"1/4.

Смеситель для умывальника на 3 отверстия, авт. донный клапан 1"1/4.



Finitura / finishing / finition / Покрытие

CR	€ 393,00
CO	€ 438,00
RR / ZZ	€ 557,00
OO	€ 796,00
OZ / OR	€ 983,00

15 kg  
box pcs. 5

Vitone ceramico, 1/4 di giro  
1/4 turn ceramic head work

17 CR 0527

Batteria lavabo a muro, bocca 210 mm.

Wall basin mixer, spout 210 mm.

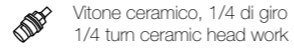
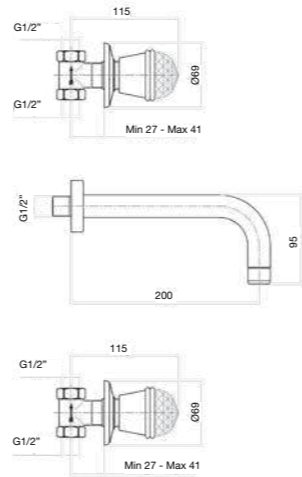
Mélangeur lavabo mural, bec 210 mm.

Смеситель для умывальника на 3 отверстия, скрытый настенный монтаж.



Finitura / finishing / finition / Покрытие

CR	€ 279,00
CO	€ 307,00
RR / ZZ	€ 391,00
OO	€ 558,00
OZ / OR	€ 698,00



17 CR 0538

Batteria bidet 3 fori, scarico aut. 1"1/4.

3-hole bidet mixer, 1"1/4 automatic pop up waste.

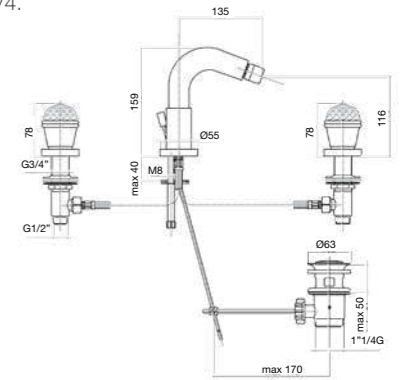
Mélangeur bidet à 3 trous, vidage automatique 1"1/4.

Смеситель для биде на 3 отверстия, авт. донный клапан 1"1/4.



Finitura / finishing / finition / Покрытие

CR	€ 361,00
CO	€ 433,00
RR / ZZ	€ 541,00
OO	€ 721,00
OZ / OR	€ 903,00



17 CR 0532 01

Monoblocco bidet, scarico aut. 1"1/4, tubi flex cm. 35 3/8"F.

One hole bidet mixer, 1"1/4 automatic pop up waste, flex cm 35 3/8"F.

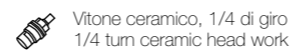
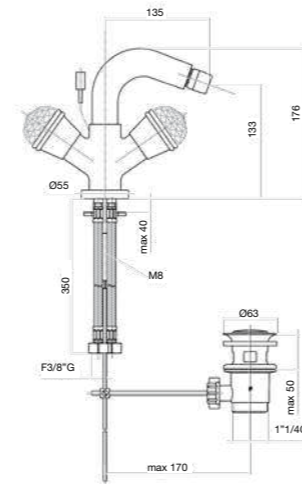
Mélangeur monotrou bidet, vidage automatique 1"1/4, flexibles cm 35 3/8"F.

Смеситель для биде на 1 отверстие, авт. донный клапан 1"1/4, гибкая подводка 35 см 3/8"F.



Finitura / finishing / finition / Покрытие

CR	€ 321,00
CO	€ 385,00
RR / ZZ	€ 481,00
OO	€ 642,00
OZ / OR	€ 803,00



17 CR 0536

Batteria bidet 3 fori, scarico aut. 1"1/4.

3-hole bidet mixer, 1"1/4 automatic pop up waste.

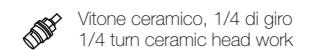
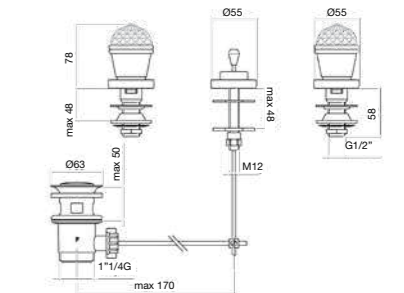
Mélangeur bidet à 3 trous, vidage automatique 1"1/4.

Смеситель для биде на 3 отверстия, авт. донный клапан 1"1/4.



Finitura / finishing / finition / Покрытие

CR	€ 310,00
CO	€ 339,00
RR / ZZ	€ 431,00
OO	€ 617,00
OZ / OR	€ 775,00



17 CR 0632 01

Monoforo bidet, scarico aut. 1"1/4, tubi flex cm 35 3/8"F.

One hole bidet mixer, 1"1/4 automatic pop up waste, flex cm 35 3/8"F.

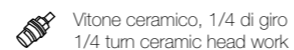
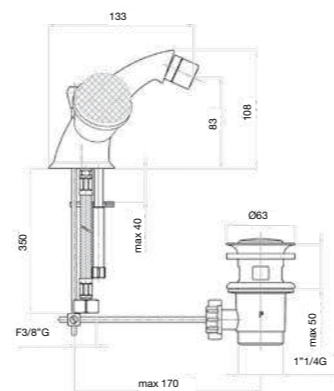
Mélangeur monotrou bidet, bec rétro, vidage automatique 1"1/4, flexibles cm 35 3/8"F.

Смеситель для биде на 1 отверстие, авт. донный клапан 1"1/4, гибкая подводка 35 см 3/8"F.



Finitura / finishing / finition / Покрытие

CR	€ 288,00
CO	€ 310,00
RR / ZZ	€ 403,00
OO	€ 576,00
OZ / OR	€ 720,00



17 CR 0600

Gruppo vasca esterno con flex e doccia ceramica bianca.

External bath mixer with flex and white ceramic shower.

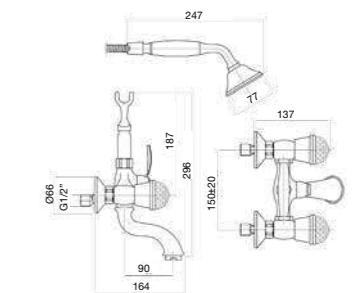
Mélangeur bain douche extérieur avec flexible et douche avec poignée en céramique.

Смеситель для ванны, внешний монтаж, гибкая подводка, ручной душ из керамики.



Finitura / finishing / finition / Покрытие

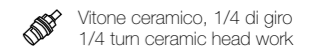
CR	€ 375,00
CO	€ 413,00
RR / ZZ	€ 638,00
OO	€ 751,00
OZ / OR	€ 938,00



17 CR 0610  
Miscelatore vasca con flex e doccia retrò.  
Bath mixer with flex and old style shower.  
Méligeur bain douche avec flexible et douche retrò.  
Смеситель для ванны, внешний монтаж, гибкая подводка, ручной душ "ретро".

Finitura / finishing / finition / Покрытие

CR	€ 368,00
CO	€ 405,00
RR / ZZ	€ 626,00
OO	€ 737,00
OZ / OR	€ 920,00





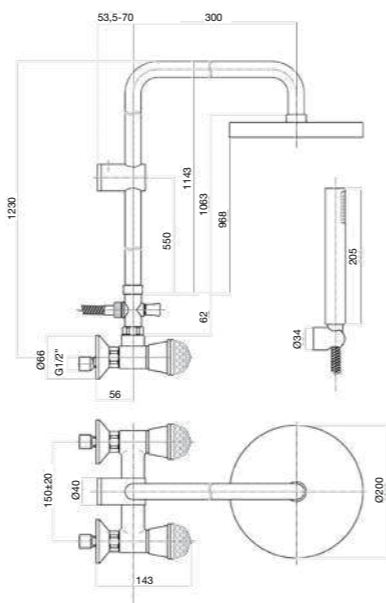
17 CR 0518

Gruppo doccia esterno con deviatore, colonna cm 114, soffione tondo in ottone Ø 200 mm, duplex, doccia minimal.

External shower mixer with diverter, cm 114 rail, Ø 200 mm round brass shower head, shower set, minimal shower.

Mélangeur douche extérieur avec inverseur, colonne cm 114, pomme de douche ronde en laiton Ø 200 mm, garniture, douche minimal.

Смес. д/душа, внеш.монтаж,переключ., стойка 114см, лейка Ø200мм, душ.набор,ручн.белый душ из керамики.



Finitura / finishing / finition / Покрытие

CR	€ 542,00
CO	€ 651,00
RR / ZZ	€ 976,00
OO	€ 1.084,00
OZ / OR	€ 1.355,00

Vitone ceramico, 1/4 di giro  
1/4 turn ceramic head work

5,2 kg  
box pcs. 1

# XT Sky



17 CR 0522



17 CR 0623



17 CR 0528

17 CR 0527



# Kitchen

---

## Index

XS Vip	208
XS Sky	208
Katana	208
Kalos	211
XO	212
Kruno	214
Nexus	214
Max	221
Planet	228
Class	229
Mistral	230
Classic Line	231
Imperiale	233
Imperiale Black	235
Imperiale Sky	237
Jafar Sky	239
Coloniale Black	241
Coloniale Sky	243
Margot Sky	244
Gioielli	247
Gioielli Sky	248
Venere Sky	250
XT Sky	251
XT	253



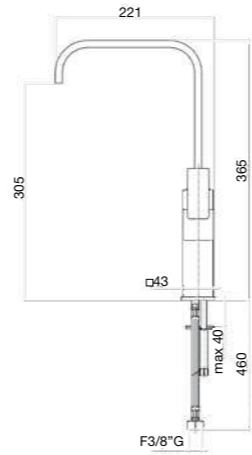




79 CR 7742 01



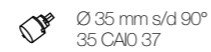
Miscelatore lavello, flex cm 46 3/8" F.  
One hole sink mixer, flex cm 46 3/8" F.  
Mitigeur évier, flexibles cm 46 3/8" F.  
Смеситель для мойки, гибкая подводка 46 см 3/8" F.



XS Vip

Finitura / finishing / finition / Покрытие

CR € 322,00



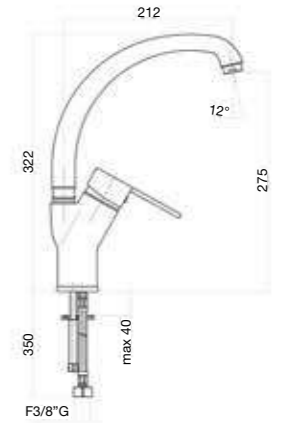
1/2 79 CR 7742 02

15,6 Kg box pcs. 5

77 CR 4318 01

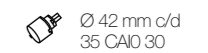


Miscelatore lavello leva laterale canna gonfiata flex cm 35 3/8" F.  
One hole sink mixer, side lever, high spout, flex cm 35 3/8" F.  
Mitigeur évier manette latérale bec gonflé, flexibles cm 35 3/8" F.  
Смеситель для мойки, гибкая подводка 35 см 3/8" F.



Finitura / finishing / finition / Покрытие

CR € 112,00



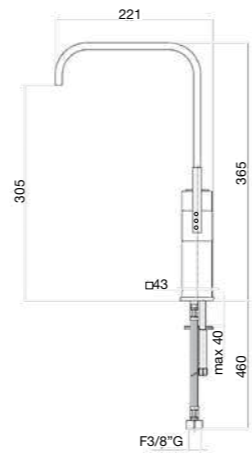
1/2 77 CR 4318 02

14,5 Kg box pcs. 5

85 CR 7742 01



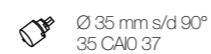
Miscelatore lavello, flex cm 46 3/8" F.  
One hole sink mixer, flex cm 46 3/8" F.  
Mitigeur évier, flexibles cm 46 3/8" F.  
Смеситель для мойки, гибкая подводка 46 см 3/8" F.



XS Sky

Finitura / finishing / finition / Покрытие

CR € 322,00



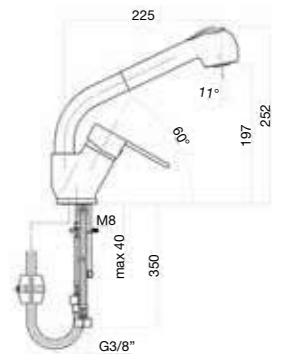
1/2 85 CR 7742 02

15,4 Kg box pcs. 5

77 CR 4395 01



Miscelatore lavello, leva laterale, doccetta estraibile, flex cm 35 3/8" F.  
One hole sink mixer, side lever, pull-out shower, flex cm 35 3/8" F.  
Mitigeur évier, manette latérale, douchette extractible, flexibles cm 35 3/8" F.  
Смеситель для мойки, выдвижной излив, гибкая подводка 35 см 3/8" F.



Finitura / finishing / finition / Покрытие

CR € 116,00



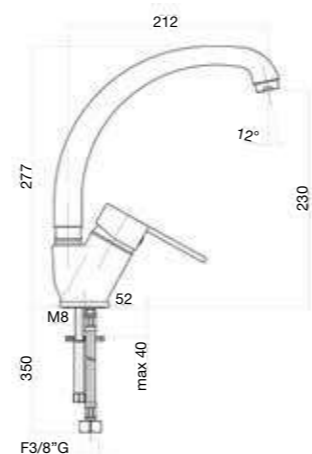
1/2 77 CR 4395 02

27,8 Kg box pcs. 10

77 CR 4310 01



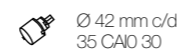
Miscelatore lavello, leva laterale, canna gonfiata, flex cm 35 3/8" F.  
One hole sink mixer, side lever, high spout, flex cm 35 3/8" F.  
Mitigeur évier manette latérale bec gonflé, flexibles cm 35 3/8" F.  
Смеситель для мойки, гибкая подводка 35 см 3/8" F.



Katana

Finitura / finishing / finition / Покрытие

CR € 85,00



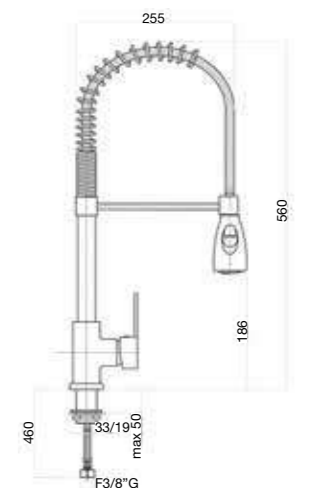
1/2 77 CR 4310 02

18 Kg box pcs. 10

77 CR 5425 01



Miscelatore lavello industriale corpo laterale, flex cm 46 3/8" F.  
One hole professional sink mixer, flex cm 46 3/8" F.  
Mitigeur évier industriel corps latéral, flexibles cm 46 3/8" F.  
Смеситель для мойки, гибкая подводка 46 см 3/8" F.



Finitura / finishing / finition / Покрытие

CR € 276,00



1/2 77 CR 5425 02

20,3 Kg box pcs. 5

77 CR 5480 01



1/2 77 CR 5480 02

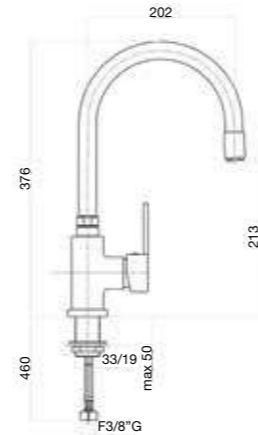
15 Kg  
box pcs. 5

Miscelatore lavello canna a ombrello, flex cm 46 3/8"F.

One hole sink mixer, umbrella spout, flex cm 46 3/8"F.

Mitigeur évier avec bec à parapluie, flexibles cm 46 3/8"F.

Смеситель для мойки, гибкая подводка 46 см 3/8"F.



Finitura / finishing / finition / Покрытие

CR € 163,00

Ø 35 mm s/d 90°  
35 CA10 37

76 CR 4310 01



1/2 76 CR 4310 02

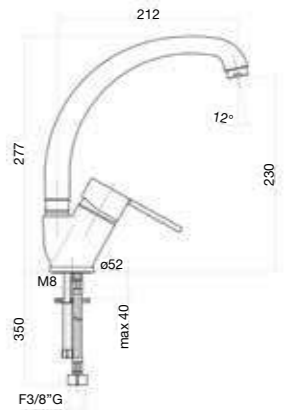
16,25 Kg  
box pcs. 5

Miscelatore lavello, leva laterale, canna gonfiata, flex cm 35 3/8"F.

One hole sink mixer, side lever, high spout, flex cm 35 3/8"F.

Mitigeur évier manette latérale bec gonflé, flexibles cm 35 3/8"F.

Смеситель для мойки, гибкая подводка 35 см 3/8"F.



Finitura / finishing / finition / Покрытие

CR € 85,00

Ø 42 mm c/d  
35 CA10 30

77 CR 5489 01



1/2 77 CR 5489 02

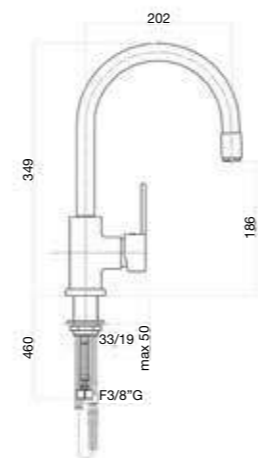
16 Kg  
box pcs. 5

Miscelatore lavello canna a ombrello, doccetta estraibile, flex cm 46 3/8"F.

One hole sink mixer, umbrella spout, pull-out shower, flex cm 46 3/8"F.

Mitigeur évier, bec à parapluie, douchette extractible, flexibles cm 46 3/8"F.

Смеситель для мойки, выдвижной излив, гибкая подводка 46 см 3/8"F.



Finitura / finishing / finition / Покрытие

CR € 200,00

Ø 35 mm s/d 90°  
35 CA10 37

76 CR 4318 01



1/2 76 CR 4318 02

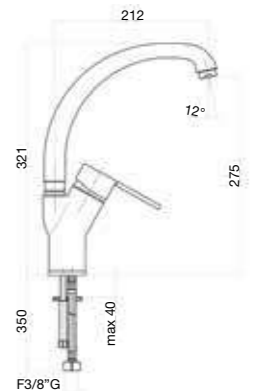
15,15 Kg  
box pcs. 5

Miscelatore lavello leva laterale canna gonfiata flex cm 35 3/8"F.

One hole sink mixer, side lever, high spout, flex cm 35 3/8"F.

Mitigeur évier manette latérale bec gonflé, flexibles cm 35 3/8"F.

Смеситель для мойки, гибкая подводка 35 см 3/8"F.



Finitura / finishing / finition / Покрытие

CR € 112,00

Ø 42 mm c/d  
35 CA10 30

77 CR 7540



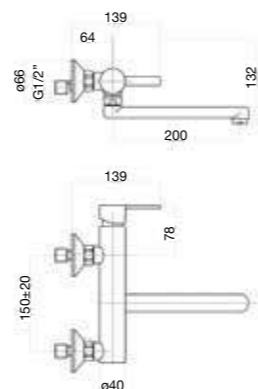
9,4 Kg  
box pcs. 5

Miscelatore lavello a muro, canna diritta cm 20.

Wall sink mixer, 20 cm straight spout.

Mitigeur évier mural, bec droit cm 20.

Смеситель для мойки настенный монтаж.



Finitura / finishing / finition / Покрытие

CR € 138,00

Ø 25 mm s/d  
35 CA10 25

76 CR 4395 01



1/2 76 CR 4395 02

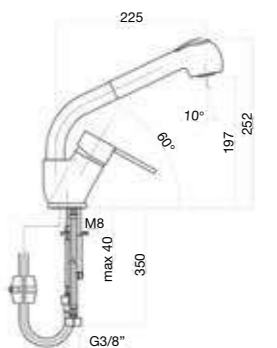
15,75 Kg  
box pcs. 5

Miscelatore lavello, leva laterale, doccetta estraibile, flex cm 35 3/8"F.

One hole sink mixer, side lever, pull-out shower, flex cm 35 3/8"F.

Mitigeur évier, manette latérale, douchette extractible, flexibles cm 35 3/8"F.

Смеситель для мойки, выдвижной излив, гибкая подводка 35 см 3/8"F.



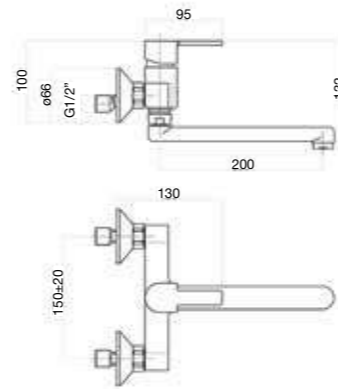
Finitura / finishing / finition / Покрытие

CR € 116,00

Ø 40 mm s/d 2 pioli  
35 CA10 38

76 CR 7440

Miscelatore lavello a muro, canna diritta cm 20.  
Wall sink mixer, 20 cm straight spout.  
Mitigeur évier mural, bec droit cm 20.  
Смеситель для мойки настенный монтаж.



Finitura / finishing / finition / Покрытие

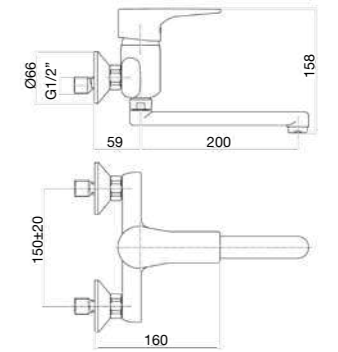
CR € 111,00

18,3 Kg box pcs. 5

Ø 25 mm s/d 35 CAIO 25

73 CR 7350

Miscelatore lavello a muro, canna diritta cm 20.  
Wall sink mixer, 20 cm straight spout.  
Mitigeur évier mural, bec droit cm 20.  
Смеситель для мойки настенный монтаж.



Finitura / finishing / finition / Покрытие

CR € 130,00

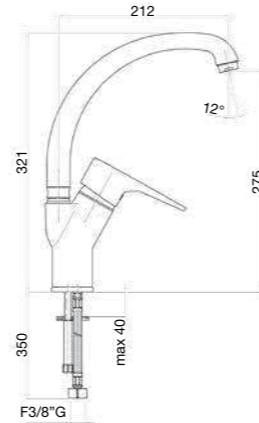
12,6 Kg box pcs. 5

Ø 42 mm c/d 35 CAIO 30

73 CR 4318 01

Miscelatore lavello leva laterale canna gonfiata flex cm 35 3/8"F.  
One hole sink mixer, side lever, high spout, flex cm 35 3/8"F.  
Mitigeur évier manette latérale bec gonflé, flexibles cm 35 3/8"F.  
Смеситель для мойки, гибкая подводка 35 см 3/8"F.

XO



Finitura / finishing / finition / Покрытие

CR € 113,00

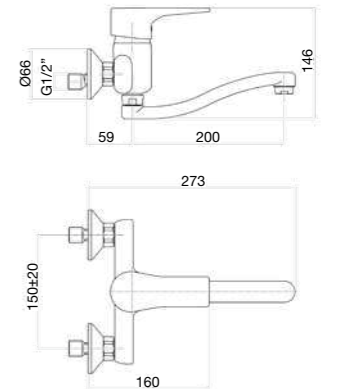
1/2 73 CR 4318 02

15,3 Kg box pcs. 5

Ø 42 mm c/d 35 CAIO 30

73 CR 7351

Miscelatore lavello a muro, canna S.  
Wall sink mixer, S-spout.  
Mitigeur évier mural, bec S.  
Смеситель для мойки настенный монтаж.



Finitura / finishing / finition / Покрытие

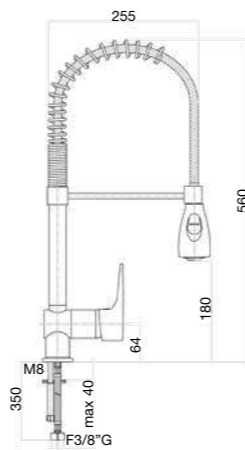
CR € 132,00

12,4 Kg box pcs. 5

Ø 42 mm c/d 35 CAIO 30

73 CR 5465 01

Miscelatore lavello industriale corpo laterale, flex cm 35 3/8"F.  
One hole professional sink mixer, flex cm 35 3/8"F.  
Mitigeur évier industriel corps latéral, flexibles cm 35 3/8"F.  
Смеситель для мойки, гибкая подводка 35 см 3/8"F.



Finitura / finishing / finition / Покрытие

CR € 282,00

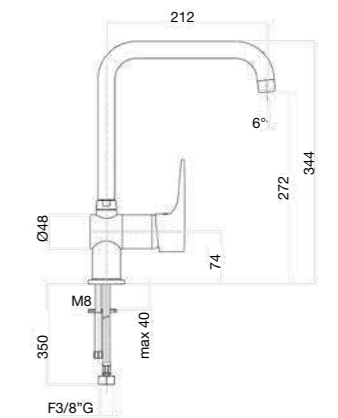
1/2 73 CR 5465 02

19,1 Kg box pcs. 5

Ø 42 mm s/d 35 CAIO 31

73 CR 5461 01

Miscelatore lavello corpo orizzontale, canna L, tubi flex cm 35 3/8"F.  
Horizontal sink mixer, L-spout, flex cm 35 3/8"F.  
Mitigeur évier horizontal, bec L, flexibles cm 35 3/8"F.  
Смеситель для мойки, L-излив гибкая подводка 35 см 3/8"F.



Finitura / finishing / finition / Покрытие

CR € 129,00

1/2 73 CR 5461 02

13 Kg box pcs. 5

Ø 42 mm s/d 35 CAIO 31

74 CR 4318 01



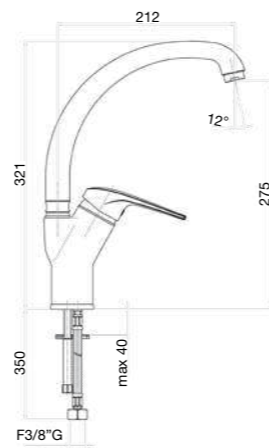
1/2 74 CR 4318 02

15 Kg  
box pcs. 5

Miscelatore lavello leva laterale canna gonfiata flex cm 35 3/8"F.  
One hole sink mixer, side lever, high spout, flex cm 35 3/8"F.  
Mitigeur évier manette latérale bec gonflé, flexibles cm 35 3/8"F.  
Смеситель для мойки, гибкая подводка 35 см 3/8"F.

Finitura / finishing / finition / Покрытие

CR € 113,00



Ø 42 mm c/d  
35 CAIO 30

Kruno

43 CR 4318 01



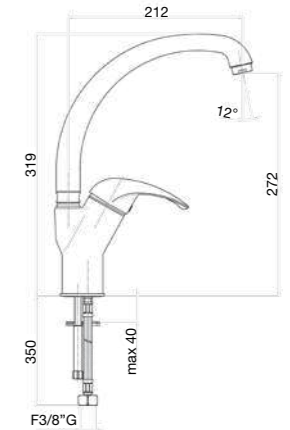
1/2 43 CR 4318 02

14,6 Kg  
box pcs. 5

Miscelatore lavello leva laterale, canna gonfiata, flex cm 35 3/8"F.  
One hole sink mixer, side lever, high spout, flex cm 35 3/8"F.  
Mitigeur évier, manette latérale, bec gonflé, flexibles cm 35 3/8"F.  
Смеситель для мойки, гибкая подводка 35 см 3/8"F.

Finitura / finishing / finition / Покрытие

CR € 106,00  
CO € 117,00  
BC / BO / TC / CC € 127,00  
C1 / C3 / GS / GN € 132,00  
AA / RR / ZZ € 148,00



Ø 42 mm c/d  
35 CAIO 30

43 CR 4316 01



1/2 43 CR 4316 02

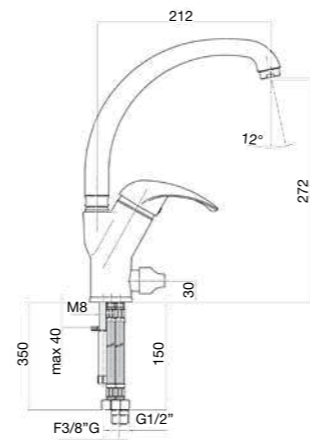
Vitone ceramico, 1/4 di giro  
1/4 turn ceramic head work

15,7 Kg  
box pcs. 5

Miscelatore lavello leva laterale, canna gonfiata, attacco lavastoviglie, flex cm 35 3/8"F.  
One hole sink mixer, side lever, high spout, dishwasher connection, flex cm 35 3/8"F.  
Mitigeur évier, manette latérale, bec gonflé, connection lave-vaisselle, flexibles cm 35 3/8"F.  
Смеситель для мойки, гибкая подводка 35 см 3/8"F.

Finitura / finishing / finition / Покрытие

CR € 131,00



Ø 42 mm c/d  
35 CAIO 30

Nexus

43 CR 4135 01



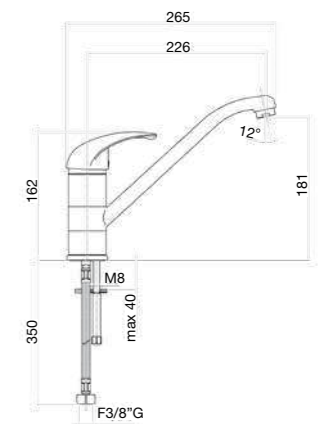
1/2 43 CR 4135 02

14,7 Kg  
box pcs. 10

Miscelatore lavello con basetta alta, flex cm 35 3/8"F.  
One hole sink mixer with high base, flex cm 35 3/8"F.  
Mitigeur évier avec embase haute, flexibles cm 35 3/8"F.  
Смеситель для мойки, гибкая подводка 35 см 3/8"F.

Finitura / finishing / finition / Покрытие

CR € 70,00



Ø 42 mm s/d  
35 CAIO 31

43 CR 4319 01



1/2 43 CR 4319 02

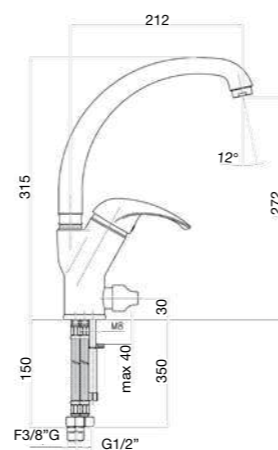
Vitone ceramico, 1/4 di giro  
1/4 turn ceramic head work

15,7 Kg  
box pcs. 5

Miscelatore lavello leva laterale, canna gonfiata, entrata acqua depurata, flex cm 35 3/8"F.  
One hole sink mixer, side lever, high spout, inlet for filtered water, flex cm 35 3/8"F.  
Mitigeur évier manette latérale, bec gonflé, entrée eau filtrée, flexibles cm 35 3/8"F.  
Смеситель для мойки, гибкая подводка 35 см 3/8"F.

Finitura / finishing / finition / Покрытие

CR € 123,00



Ø 42 mm c/d  
35 CAIO 30

43 CR 4125 01



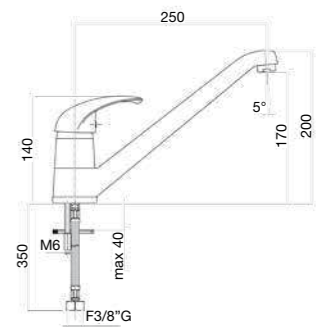
1/2 43 CR 4125 02

26,3 Kg  
box pcs. 10

Miscelatore lavello, canna fusa, flex cm 35 3/8"F.  
One hole sink mixer, cast spout, flex cm 35 3/8"F.  
Mitigeur évier, bec fondu, flexibles cm 35 3/8"F.  
Смеситель для мойки, гибкая подводка 35 см 3/8"F.

Finitura / finishing / finition / Покрытие

CR € 100,00



Ø 42 mm s/d  
35 CAIO 31

43 CR 4071 01

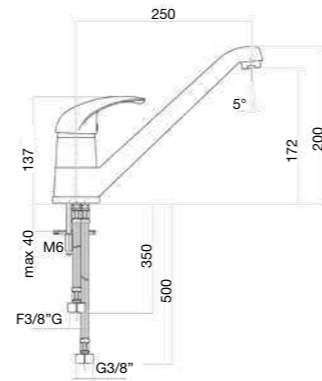


Miscelatore lavello, bassa pressione, canna fusa, flex cm 35 3/8" F.

Low pressure sink mixer cast spout flex cm 35 3/8" F.

Mitigeur évier, bec fondu, flexibles cm 35, basse pression 3/8" F.

Смеситель для мойки, гибкая подводка 35 см 3/8" F.



Finitura / finishing / finition / Покрытие

CR € 107,00

1/2 43 CR 4071 02

21,3 Kg box pcs. 10

Ø 42 mm s/d 35 CA10 31

43 CR 4010 01

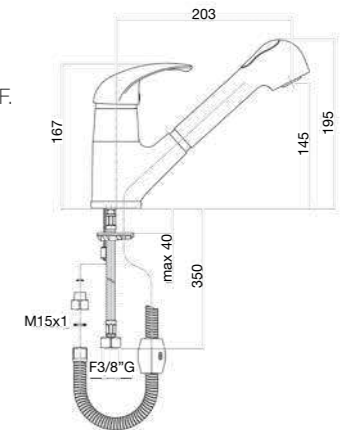


Miscelatore lavello, doccetta estraibile, flex cm 35 3/8" F.

One hole sink mixer with pull-out shower flex cm 35 3/8" F.

Mitigeur évier avec douchette extractible, flexibles cm 35 3/8" F.

Смеситель для мойки, выдвижной излив, гибкая подводка 35 см 3/8" F.



Finitura / finishing / finition / Покрытие

CR € 122,00  
CO € 134,00  
BC / BO / TC / CC € 146,00  
C1 / C3 / GS / GN € 183,00  
AA / RR / ZZ € 207,00

1/2 43 CR 4010 02

26,9 Kg box pcs. 10

Ø 42 mm s/d 35 CA10 31

43 CR 4182 01

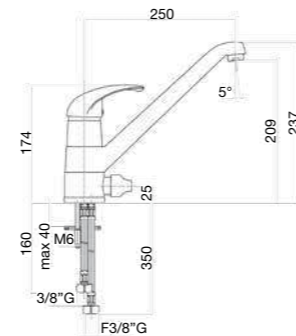


Miscelatore lavello, attacco lavastoviglie, canna fusa, flex cm 35 3/8" F.

One hole sink mixer, cast spout, dishwasher connection, flex cm 35 3/8" F.

Mitigeur évier, bec fondu, connection lave-vaisselle, flexibles cm 35 3/8" F.

Смеситель для мойки, гибкая подводка 35 см 3/8" F.



Finitura / finishing / finition / Покрытие

CR € 141,00

1/2 43 CR 4182 02

29,8 Kg box pcs. 10

Ø 42 mm s/d 35 CA10 31

43 CR 4020 01

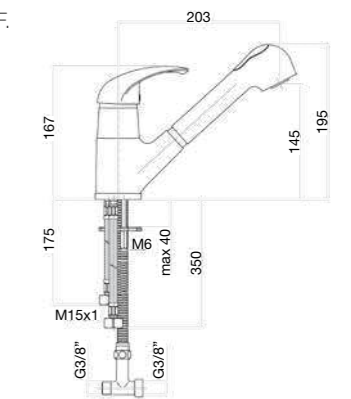


Miscelatore lavello, doccetta estraibile, bassa pressione, flex cm 35 3/8" F.

Low pressure sink mixer with pull-out shower flex cm 35 3/8" F.

Mitigeur évier avec douchette extractible, flexibles cm 35, basse pression 3/8" F.

Смеситель для мойки, выдвижной излив, гибкая подводка 35 см 3/8" F.



Finitura / finishing / finition / Покрытие

CR € 127,00

1/2 43 CR 4020 02

30,3 Kg box pcs. 10

Ø 42 mm s/d 35 CA10 31

43 CR 4395 01

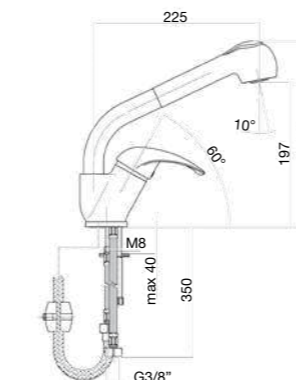


Miscelatore lavello, leva laterale, doccetta estraibile, flex cm 35 3/8" F.

One hole sink mixer, side lever, pull-out shower, flex cm 35 3/8" F.

Mitigeur évier, douchette extractible, manette latérale, flexibles cm 35 3/8" F.

Смеситель для мойки, выдвижной излив, гибкая подводка 35 см 3/8" F.



Finitura / finishing / finition / Покрытие

CR € 108,00  
CO € 119,00  
BC / BO / TC / CC € 130,00  
C1 / C3 / GS / GN € 162,00  
AA / RR / ZZ € 184,00

1/2 43 CR 4395 02

27,8 Kg box pcs. 10

Ø 40 mm s/d 2 pioli 35 CA10 38

43 CR 4310 01

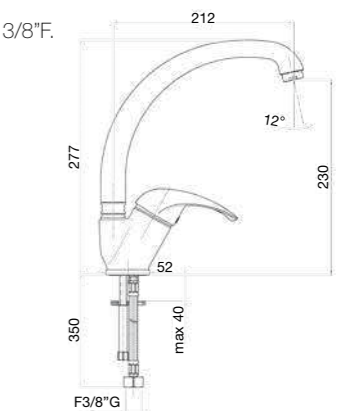


Miscelatore lavello, leva laterale, canna gonfiata cm 20, flex cm 35 3/8" F.

One hole sink mixer, side lever, 20 cm high spout, flex cm 35 3/8" F.

Mitigeur monotrou évier, manette latérale, bec gonflé cm 20, flexibles cm 35 3/8" F.

Смеситель для мойки, гибкая подводка 35 см 3/8" F.



Finitura / finishing / finition / Покрытие

CR € 78,00  
CO € 85,00  
BC / BO / TC / CC € 93,00  
C1 / C3 / GS / GN € 97,00  
AA / RR / ZZ € 109,00

1/2 43 CR 4310 02

17,7 Kg box pcs. 10

Ø 42 mm c/d 35 CA10 30

43 CR 4397 01

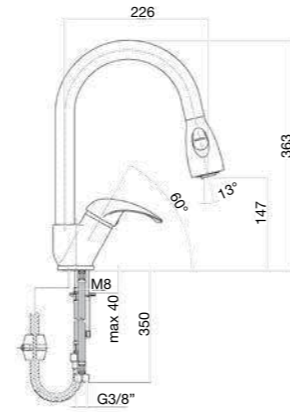


Miscelatore lavello, leva laterale, canna ombrello, doccetta estraibile, flex cm 35 3/8" F.

One hole sink mixer, side lever, umbrella spout, pull-out shower, flex cm 35 3/8" F.

Mitigeur évier, manette latérale, douchette extractible, bec à parapluie, flexibles cm 35 3/8" F.

Смеситель для мойки, выдвижной излив, гибкая подводка 35 см 3/8" F.



Finitura / finishing / finition / Покрытие

CR € 159,00

1/2 43 CR 4397 02

16 Kg box pcs. 5

Ø 42 mm c/d 35 CA10 30

43 CR 4379 01

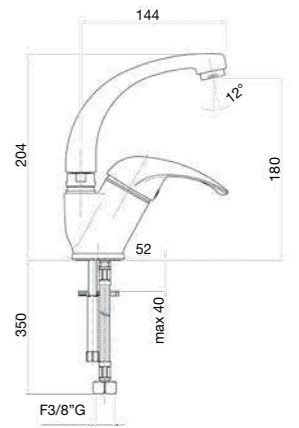


Miscelatore lavello, leva laterale, canna fusa cm 13, flex cm 35 3/8" F.

One hole sink mixer, side lever, 13 cm cast spout, flex cm 35 3/8" F.

Mitigeur évier, manette latérale, bec fondu 13 cm, flexibles cm 35 3/8" F.

Смеситель для мойки, гибкая подводка 35 см. J-излив 13 см 3/8" F.



Finitura / finishing / finition / Покрытие

CR € 78,00

1/2 43 CR 4379 02

20,7 Kg box pcs. 10

Ø 42 mm c/d 35 CA10 30

43 CR 4399 01

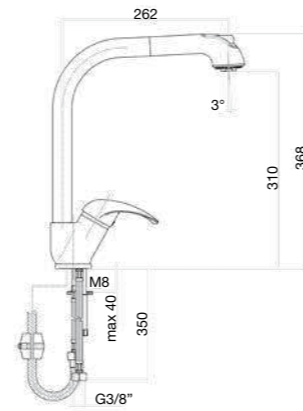


Miscelatore lavello, leva laterale, canna L, doccetta estraibile, flex cm 35 3/8" F.

One hole sink mixer, side lever, L-spout, pull-out shower, flex cm 35 3/8" F.

Mitigeur évier, manette latérale, douchette extractible, bec L, flexibles cm 35 3/8" F.

Смеситель для мойки, выдвижной излив, гибкая подводка 35 см 3/8" F.



Finitura / finishing / finition / Покрытие

CR € 162,00

1/2 43 CR 4399 02

14,2 Kg box pcs. 5

Ø 42 mm c/d 35 CA10 30

43 CR 4240

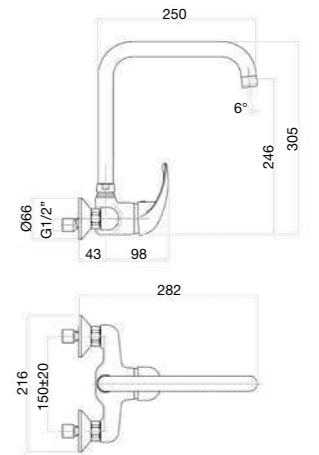


Miscelatore lavello a muro, canna L.

Wall sink mixer L-spout.

Mitigeur évier mural avec bec L.

Смеситель для мойки настенный монтаж L-излив.



Finitura / finishing / finition / Покрытие

CR € 81,00

21,1 Kg box pcs. 10

Ø 42 mm s/d 35 CA10 31

43 CR 4360 01

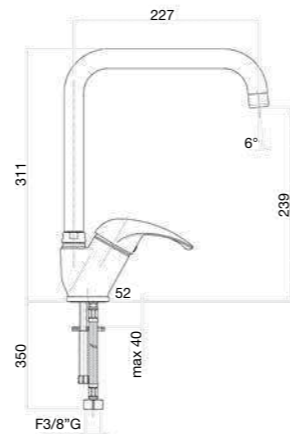


Miscelatore lavello, leva laterale, canna L, flex cm 35 3/8" F.

One hole sink mixer, side lever, L-spout, flex cm 35 3/8" F.

Mitigeur évier, manette latérale, bec L, flexibles cm 35 3/8" F.

Смеситель для мойки, гибкая подводка 35 см. L-излив 3/8" F.



Finitura / finishing / finition / Покрытие

CR € 84,00

1/2 43 CR 4360 02

18,2 Kg box pcs. 10

Ø 42 mm c/d 35 CA10 30

43 CR 4260

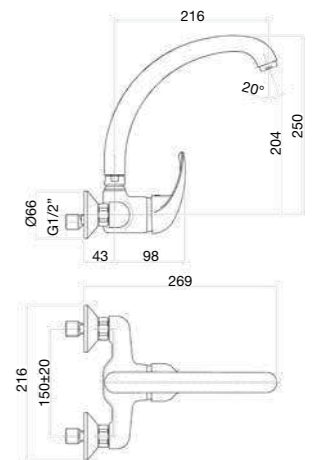


Miscelatore lavello a muro canna J gonfiata.

Wall sink mixer high J-spout.

Mitigeur évier mural, bec gonflé J.

Смеситель для мойки настенный монтаж J-излив.



Finitura / finishing / finition / Покрытие

CR € 83,00

17,3 Kg box pcs. 10

Ø 42 mm s/d 35 CA10 31

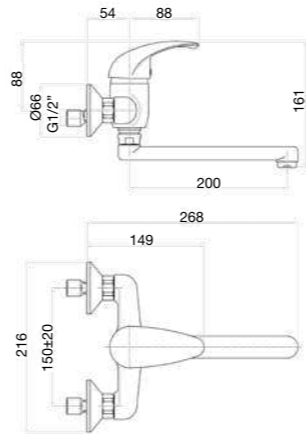
43 CR 4200



Miscelatore lavello a muro, canna diritta cm 20.  
 Wall sink mixer, 20 cm straight spout.  
 Mitigeur évier mural, bec droit cm 20.  
 Смеситель для мойки настенный монтаж.

Finitura / finishing / finition / Покрытие

CR € 77,00



Ø 42 mm s/d  
35 CAIO 31

16,4 Kg  
box pcs. 10

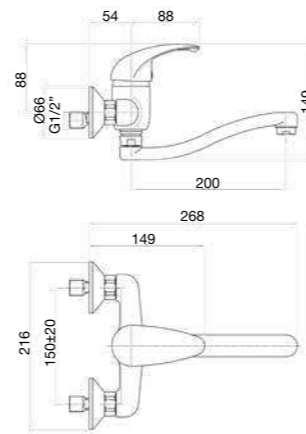
43 CR 4220



Miscelatore lavello a muro, canna S cm 20.  
 Wall sink mixer, 20 cm S-spout.  
 Mitigeur évier mural avec bec S cm 20.  
 Смеситель для мойки настенный монтаж S-излив 20 см.

Finitura / finishing / finition / Покрытие

CR € 81,00



Ø 42 mm s/d  
35 CAIO 31

17,4 Kg  
box pcs. 10

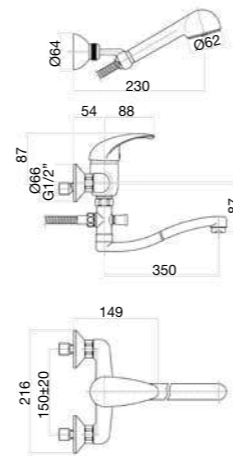
43 CR 4251



Miscelatore lavello a muro, canna S cm 35, con deviatore e duplex.  
 Wall sink mixer, 35 cm S-spout, diverter and shower set.  
 Mitigeur évier mural, bec S cm 35 avec inverseur et garniture.  
 Смеситель для ванны, настенный монтаж, S-излив 35 см. с душевым гарнитуром.

Finitura / finishing / finition / Покрытие

CR € 119,00



Ø 42 mm s/d  
35 CAIO 31

26 Kg  
box pcs. 10

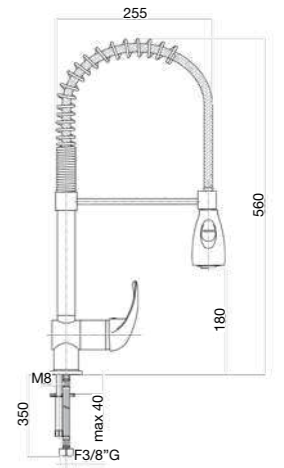
43 CR 5465 01



Monoforo lavello industriale, flex cm 35 3/8"F.  
 One hole professional sink mixer, flex cm 35 3/8"F.  
 Mitigeur évier industriel, flexibles cm 35 3/8"F.  
 Смеситель для мойки, гибкая подводка 35 см 3/8"F.

Finitura / finishing / finition / Покрытие

CR € 274,00



Ø 42 mm s/d  
35 CAIO 31

1/2 43 CR 5465 02

17,5 Kg  
box pcs. 5

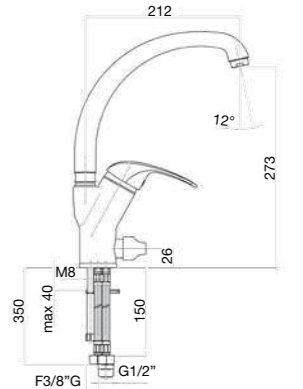
32 CR 4316 01



Miscelatore lavello leva laterale, canna gonfiata, attacco lavastoviglie, flex cm 35 3/8"F.  
 One hole sink mixer, side lever, high spout, dishwasher connection, flex cm 35 3/8"F.  
 Mitigeur évier, manette latérale, bec gonflé, connection lave-vaisselle, flexibles cm 35 3/8"F.  
 Смеситель для мойки, гибкая подводка 35 см 3/8"F.

Finitura / finishing / finition / Покрытие

CR € 136,00



Ø 42 mm c/d  
35 CAIO 30

1/2 32 CR 4316 02

Vitone ceramico, 1/4 di giro  
1/4 turn ceramic head work

15,85 Kg  
box pcs. 5

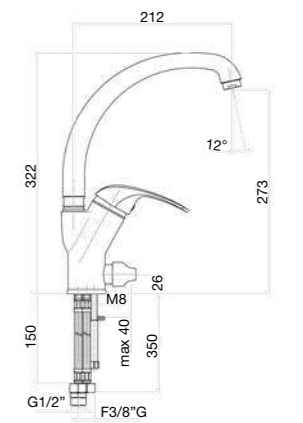
32 CR 4319 01



Miscelatore lavello leva laterale, canna gonfiata, entrata acqua depurata, flex cm 35 3/8"F.  
 One hole sink mixer, side lever, high spout, inlet for filtered water, flex cm 35 3/8"F.  
 Mitigeur évier manette latérale, bec gonflé, entrée eau filtrée, flexibles cm 35 3/8"F.  
 Смеситель для мойки, гибкая подводка 35 см 3/8"F.

Finitura / finishing / finition / Покрытие

CR € 128,00



Ø 42 mm c/d  
35 CAIO 30

1/2 32 CR 4319 02

Vitone ceramico, 1/4 di giro  
1/4 turn ceramic head work

15,85 Kg  
box pcs. 5

### 32 CR 4318 01

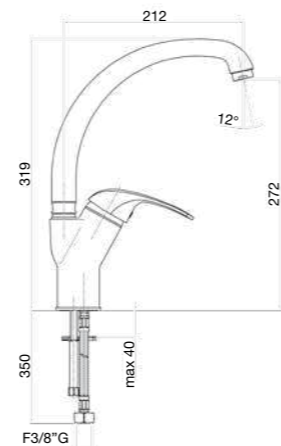


Miscelatore lavello leva laterale, canna gonfiata, flex cm 35 3/8" F.

One hole sink mixer, side lever, high spout, flex cm 35 3/8" F.

Mitigeur évier, manette latérale, bec gonflé, flexibles cm 35 3/8" F.

Смеситель для мойки, гибкая подводка 35 см 3/8" F.



Ø 42 mm c/d  
35 CA10 30

Finitura / finishing / finition / Покрытие

CR € 111,00  
CO € 123,00  
BC / BO / TC / CC € 133,00  
C1 / C3 / GS / GN € 139,00  
AA / RR / ZZ € 156,00

1/2 32 CR 4318 02

14,75 Kg  
box pcs. 5

### 32 CR 4090 01

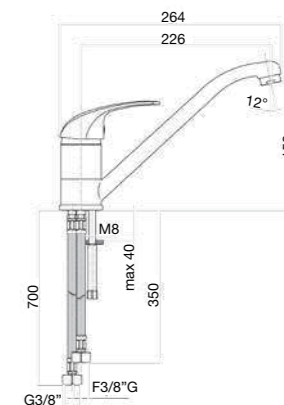


Miscelatore lavello bassa pressione, flex cm 35 3/8" F.

Low pressure sink mixer flex cm 35 3/8" F.

Mitigeur évier basse pression, flexibles cm 35 3/8" F.

Смеситель для мойки, гибкая подводка 35 см 3/8" F.



Ø 42 mm s/d  
35 CA10 31

Finitura / finishing / finition / Покрытие

CR € 73,00

1/2 32 CR 4090 02

21 Kg  
box pcs. 10

### 32 CR 4110 01

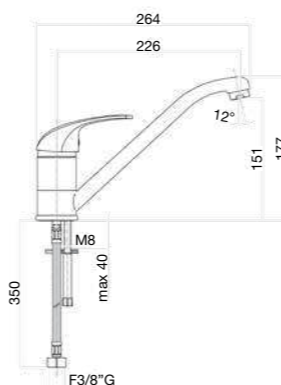


Miscelatore lavello, flex cm 35 3/8" F.

One hole sink mixer, flex cm 35 3/8" F.

Mitigeur évier, flexibles cm 35 3/8" F.

Смеситель для мойки, гибкая подводка 35 см 3/8" F.



Ø 42 mm s/d  
35 CA10 31

Finitura / finishing / finition / Покрытие

CR € 70,00  
CO € 77,00  
BC / BO / TC / CC € 84,00  
C1 / C3 / GS / GN € 88,00  
AA / RR / ZZ € 98,00

1/2 32 CR 4110 02

14,7 Kg  
box pcs. 10

### 32 CR 4070 01

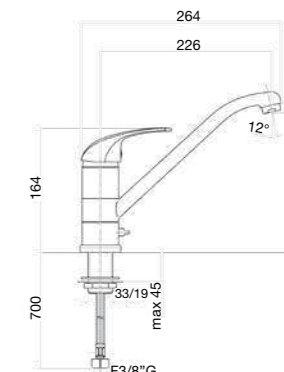


Miscelatore lavello sottofinestra, flex cm 70 3/8" F.

Under-window sink mixer flex cm 70 3/8" F.

Mitigeur évier sous fenêtre, flexibles cm 70 3/8" F.

Смеситель для мойки, гибкая подводка 70 см 3/8" F.



Ø 42 mm s/d  
35 CA10 31

Finitura / finishing / finition / Покрытие

CR € 107,00

1/2 32 CR 4070 02

22,6 Kg  
box pcs. 10

### 32 CR 4135 01

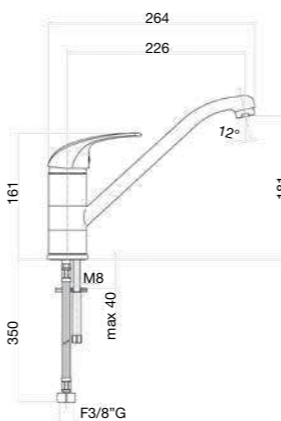


Miscelatore lavello con basetta alta, flex cm 35 3/8" F.

One hole sink mixer with high base, flex cm 35 3/8" F.

Mitigeur évier avec embase haute, flexibles cm 35 3/8" F.

Смеситель для мойки, гибкая подводка 35 см 3/8" F.



Ø 42 mm s/d  
35 CA10 31

Finitura / finishing / finition / Покрытие

CR € 75,00

1/2 32 CR 4135 02

15,1 Kg  
box pcs. 10

### 32 CR 4060 01

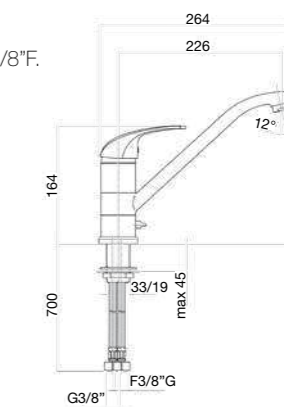


Miscelatore lavello sottofinestra, bassa pressione, flex cm 70 3/8" F.

Low pressure under-window sink mixer flex cm 70 3/8" F.

Mitigeur évier sous fenêtre, basse pression, flexibles cm 70 3/8" F.

Смеситель для мойки, гибкая подводка 70 см 3/8" F.



Ø 42 mm s/d  
35 CA10 31

Finitura / finishing / finition / Покрытие

CR € 117,00

1/2 32 CR 4060 02

23,3 Kg  
box pcs. 10

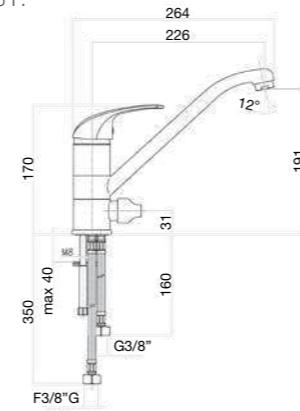


32 CR 4180 01



1/2 32 CR 4180 02  
 Vitone ceramico, 1/4 di giro  
 1/4 turn ceramic head work  
 22,8 Kg  
 box pcs. 10

Miscelatore lavello, attacco lavastoviglie, flex cm 35 3/8" F.  
 One hole sink mixer with dishwasher connection, flex cm 35 3/8" F.  
 Mitigeur évier, connection lave-vaisselle, flexibles cm 35 3/8" F.  
 Смеситель для мойки, гибкая подводка 35 см 3/8" F.



Finitura / finishing / finition / Покрытие

CR € 104,00

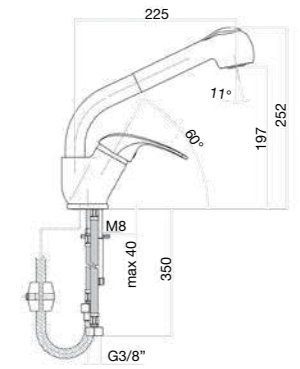
Ø 42 mm s/d  
 35 CA10 31

32 CR 4395 01



1/2 32 CR 4395 02  
 27,8 Kg  
 box pcs. 10

Miscelatore lavello, leva laterale, doccetta estraibile, flex cm 35 3/8" F.  
 One hole sink mixer, side lever, pull-out shower, flex cm 35 3/8" F.  
 Mitigeur évier, douchette extractible, manette latérale, flexibles cm 35 3/8" F.  
 Смеситель для мойки, выдвижной излив, гибкая подводка 35 см 3/8" F.



Finitura / finishing / finition / Покрытие

CR € 113,00  
 CO € 125,00  
 BC / BO / TC / CC € 136,00  
 C1 / C3 / GS / GN € 170,00  
 AA / RR / ZZ € 193,00

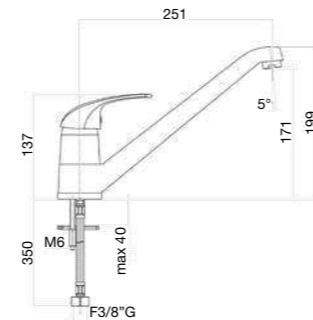
Ø 40 mm s/d 2 pioli  
 35 CA10 38

32 CR 4125 01



1/2 32 CR 4125 02  
 25,8 Kg  
 box pcs. 10

Miscelatore lavello, canna fusa, flex cm 35 3/8" F.  
 One hole sink mixer, cast spout, flex cm 35 3/8" F.  
 Mitigeur évier, bec fondu, flexibles cm 35 3/8" F.  
 Смеситель для мойки, гибкая подводка 35 см 3/8" F.



Finitura / finishing / finition / Покрытие

CR € 105,00

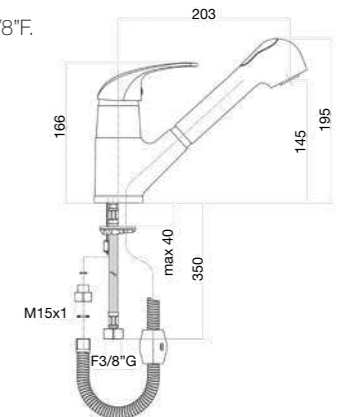
Ø 42 mm s/d  
 35 CA10 31

32 CR 4010 01



1/2 32 CR 4010 02  
 27,3 Kg  
 box pcs. 10

Miscelatore lavello, doccetta estraibile, flex cm 35 3/8" F.  
 One hole sink mixer with pull-out shower flex cm 35 3/8" F.  
 Mitigeur évier avec douchette extractible, flexibles cm 35 3/8" F.  
 Смеситель для мойки, выдвижной излив, гибкая подводка 35 см 3/8" F.



Finitura / finishing / finition / Покрытие

CR € 127,00  
 CO € 140,00  
 BC / BO / TC / CC € 152,00  
 C1 / C3 / GS / GN € 191,00  
 AA / RR / ZZ € 216,00

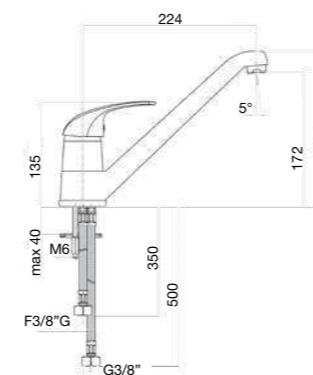
Ø 42 mm s/d  
 35 CA10 31

32 CR 4071 01



1/2 32 CR 4071 02  
 21,7 Kg  
 box pcs. 10

Miscelatore lavello, bassa pressione, canna fusa, flex cm 35 3/8" F.  
 Low pressure sink mixer cast spout flex cm 35 3/8" F.  
 Mitigeur évier, bec fondu, flexibles cm 35, basse pression 3/8" F.  
 Смеситель для мойки, гибкая подводка 35 см 3/8" F.



Finitura / finishing / finition / Покрытие

CR € 113,00

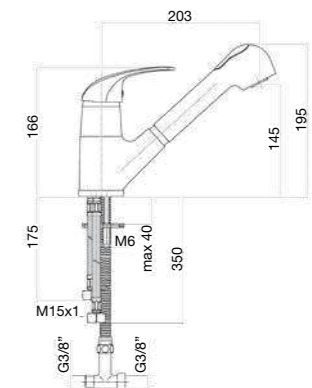
Ø 42 mm s/d  
 35 CA10 31

32 CR 4020 01



1/2 32 CR 4020 02  
 30,7 Kg  
 box pcs. 10

Miscelatore lavello, doccetta estraibile, bassa pressione, flex cm 35 3/8" F.  
 Low pressure sink mixer with pull-out shower flex cm 35 3/8" F.  
 Mitigeur évier avec douchette extractible, flexibles cm 35, basse pression 3/8" F.  
 Смеситель для мойки, выдвижной излив, гибкая подводка 35 см 3/8" F.



Finitura / finishing / finition / Покрытие

CR € 132,00

Ø 42 mm s/d  
 35 CA10 31

### 32 CR 4310 01

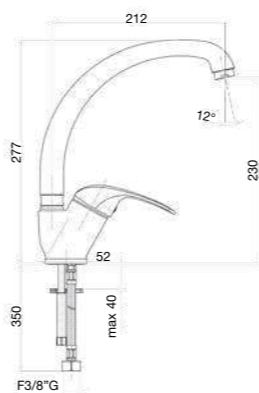


Miscelatore lavello, leva laterale, canna gonfiata cm 20, flex cm 35 3/8"F.

One hole sink mixer, side lever, 20 cm high spout, flex cm 35 3/8"F.

Mitigeur monotrou évier, manette latérale, bec gonflé cm 20, flexibles cm 35 3/8"F.

Смеситель для мойки, гибкая подводка 35 см 3/8"F.



Finitura / finishing / finition / Покрытие

CR € 83,00  
 CO € 91,00  
 BC / BO / TC / CC € 100,00  
 C1 / C3 / GS / GN € 104,00  
 AA / RR / ZZ € 117,00

Ø 42 mm c/d  
 35 CAIO 30

1/2 32 CR 4310 02

17,1 Kg  
 box pcs. 10

### 32 CR 4399 01

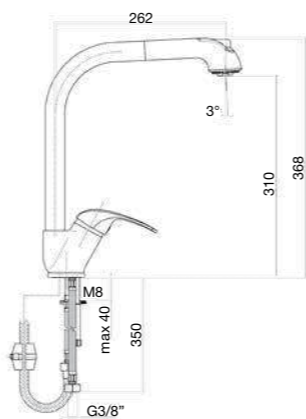


Miscelatore lavello, leva laterale, canna L, doccetta estraibile, flex cm 35 3/8"F.

One hole sink mixer, side lever, L-spout, pull-out shower, flex cm 35 3/8"F.

Mitigeur évier, manette latérale, douchette extractible, bec L, flexibles cm 35 3/8"F.

Смеситель для мойки, выдвижной излив, гибкая подводка 35 см 3/8"F.



Finitura / finishing / finition / Покрытие

CR € 167,00

Ø 42 mm c/d  
 35 CAIO 30

1/2 32 CR 4399 02

14,4 Kg  
 box pcs. 5

### 32 CR 4360 01

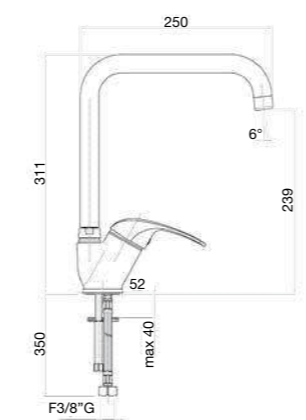


Miscelatore lavello, leva laterale, canna L, flex cm 35 3/8"F.

One hole sink mixer, side lever, L-spout, flex cm 35 3/8"F.

Mitigeur évier, manette latérale, bec L, flexibles cm 35 3/8"F.

Смеситель для мойки, гибкая подводка 35 см. L-излив 3/8"F.



Finitura / finishing / finition / Покрытие

CR € 89,00

Ø 42 mm c/d  
 35 CAIO 30

1/2 32 CR 4360 02

18,1 Kg  
 box pcs. 10

### 32 CR 4240

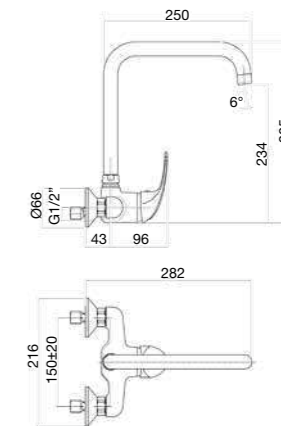


Miscelatore lavello a muro, canna L.

Wall sink mixer L-spout.

Mitigeur évier mural avec bec L.

Смеситель для мойки настенный монтаж L-излив.



Finitura / finishing / finition / Покрытие

CR € 86,00

Ø 42 mm s/d  
 35 CAIO 31

21,1 Kg  
 box pcs. 10

### 32 CR 4260

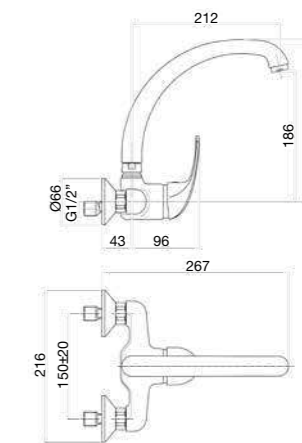


Miscelatore lavello a muro canna J gonfiata.

Wall sink mixer high J-spout.

Mitigeur évier mural, bec gonflé J.

Смеситель для мойки настенный монтаж J-излив.



Finitura / finishing / finition / Покрытие

CR € 88,00

Ø 42 mm s/d  
 35 CAIO 31

17,3 Kg  
 box pcs. 10

### 32 CR 5465 01

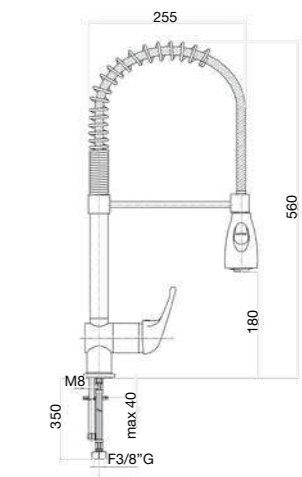


Monoforo lavello industriale, flex cm 35 3/8"F.

One hole professional sink mixer, flex cm 35 3/8"F.

Mitigeur évier industriel, flexibles cm 35 3/8"F.

Смеситель для мойки, гибкая подводка 35 см 3/8"F.



Finitura / finishing / finition / Покрытие

CR € 279,00

Ø 42 mm s/d  
 35 CAIO 31

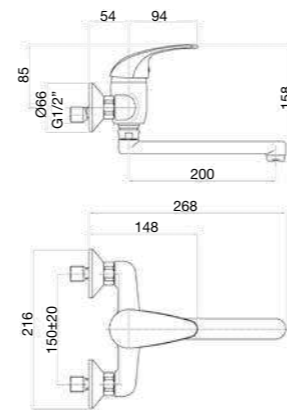
1/2 32 CR 5465 02

10,7 Kg  
 box pcs. 5

32 CR 4200



Miscelatore lavello a muro, canna diritta cm 20.  
 Wall sink mixer, 20 cm straight spout.  
 Mitigeur évier mural, bec droit cm 20.  
 Смеситель для мойки настенный монтаж.



Finitura / finishing / finition / Покрытие

- CR € 83,00
- CO € 91,00
- BC / BO / TC / CC € 99,00
- C1 / C3 / GS / GN € 103,00
- AA / RR / ZZ € 116,00

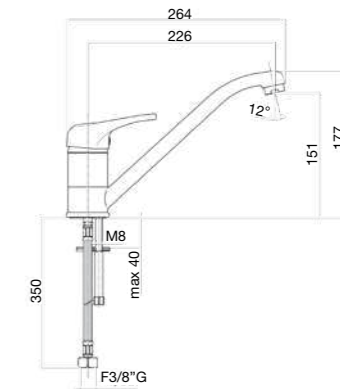
Ø 42 mm s/d  
35 CAIO 31

16,4 Kg  
box pcs. 10

37 CR 4110 01



Miscelatore lavello, flex cm 35 3/8" F.  
 One hole sink mixer, flex cm 35 3/8" F.  
 Mitigeur évier, flexibles cm 35 3/8" F.  
 Смеситель для мойки, гибкая подводка 35 см 3/8" F.



Finitura / finishing / finition / Покрытие

- CR € 65,00

Ø 42 mm s/d  
35 CAIO 31

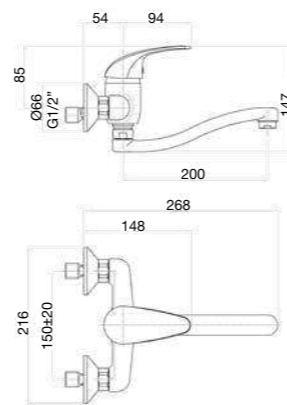
1/2 37 CR 4110 02

14,7 Kg  
box pcs. 10

32 CR 4220



Miscelatore lavello a muro, canna S cm 20.  
 Wall sink mixer, 20 cm S-spout.  
 Mitigeur évier mural avec bec S cm 20.  
 Смеситель для мойки настенный монтаж S-излив 20 см.



Finitura / finishing / finition / Покрытие

- CR € 86,00

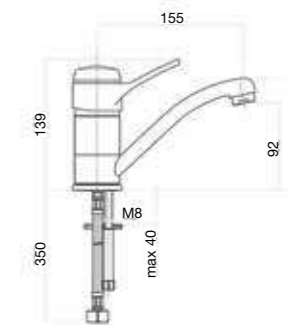
Ø 42 mm s/d  
35 CAIO 31

17,4 Kg  
box pcs. 10

38 CR 4111 01



Miscelatore lavello canna corta, flex cm 35 3/8" F.  
 One hole sink mixer, short spout, flex cm 35 3/8" F.  
 Mitigeur évier, bec court, flexibles cm 35 3/8" F.  
 Смеситель для мойки, короткий нос, гибкая подводка 35 см 3/8" F.



Finitura / finishing / finition / Покрытие

- CR € 78,00

Ø 42 mm s/d  
35 CAIO 31

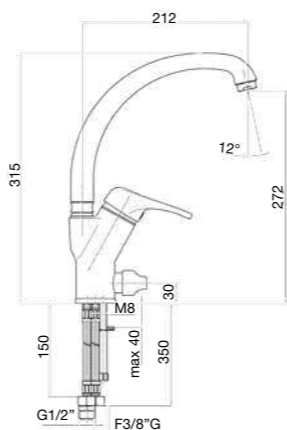
1/2 38 CR 4111 02

15,3 Kg  
box pcs. 10

37 CR 4316 01



Miscelatore lavello leva laterale, canna gonfiata, attacco lavastoviglie, flex cm 35 3/8" F.  
 One hole sink mixer, side lever, high spout, dishwasher connection, flex cm 35 3/8" F.  
 Mitigeur évier, manette latérale, bec gonflé, connection lave-vaisselle, flexibles cm 35 3/8" F.  
 Смеситель для мойки, гибкая подводка 35 см 3/8" F.



Finitura / finishing / finition / Покрытие

- CR € 131,00

Ø 42 mm c/d  
35 CAIO 30

1/2 37 CR 4316 02

Vitone ceramico, 1/4 di giro  
1/4 turn ceramic head work

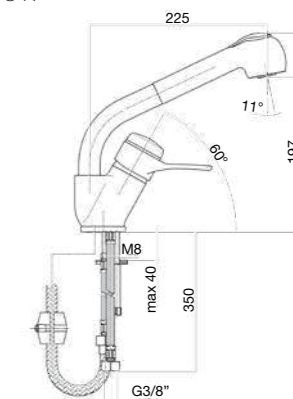
15,85 Kg  
box pcs. 5

Planet

38 CR 4395 01



Miscelatore lavello, leva laterale, doccia estraibile, flex cm 35 3/8" F.  
 One hole sink mixer, side lever, pull-out shower, flex cm 35 3/8" F.  
 Mitigeur évier, douche extractible, manette latérale, flexibles cm 35 3/8" F.  
 Смеситель для мойки, выдвижной излив, гибкая подводка 35 см 3/8" F.



Finitura / finishing / finition / Покрытие

- CR € 120,00

Ø 40 mm s/d 2 pioli  
35 CAIO 38

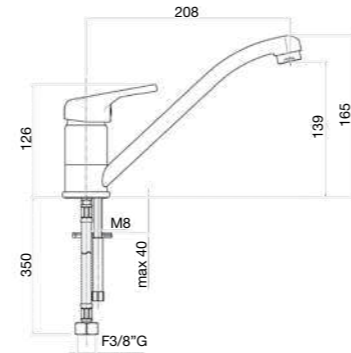
1/2 38 CR 4395 02

27,8 Kg  
box pcs. 10

42 CR 4510 01



Miscelatore lavello, flex cm 35 3/8" F.  
One hole sink mixer, flex cm 35 3/8" F.  
Mitigeur évier, flexibles cm 35 3/8" F.  
Смеситель для мойки, гибкая подводка 35 см.



Finitura / finishing / finition / Покрытие

CR € 62,00

1/2 42 CR 4510 02

12,7 Kg box pcs. 10

Ø 42 mm s/d 35 CA10 31

24 CR 0198

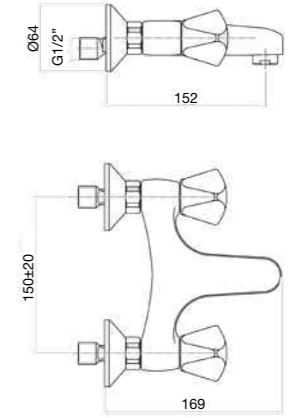


Gruppo lavello piatto.  
Flat wall sink mixer.  
Mélangeur évier mural plat.  
Смеситель для мойки, настенный монтаж.

Finitura / finishing / finition / Покрытие

CR € 68,00

17,2 Kg box pcs. 10

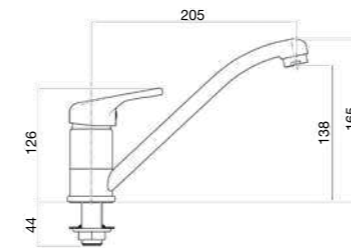


Vitone 1/2 1/2 head work

42 CR 4509



Rubinetto lavello monotubo, attacco 1/2".  
One hole sink tap, one water inlet, 1/2" connection.  
Robinet évier, une seule entrée d'eau, connection 1/2".  
Кран для мойки, подключение 1/2".



Finitura / finishing / finition / Покрытие

CR € 65,00

13 Kg box pcs. 10

Ø 42 mm s/d 35 CA10 31

24 CR 0216

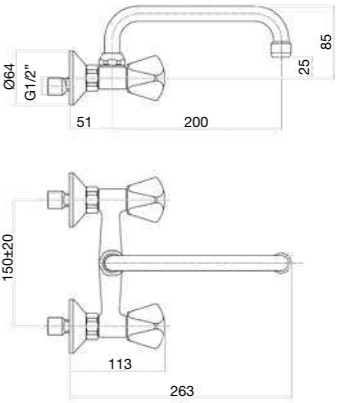


Gruppo lavello a muro, canna U cm 20.  
Wall sink mixer, 20 cm U-spout.  
Mélangeur évier mural, bec U cm 20.  
Смеситель для мойки, настенный монтаж U-излив.

Finitura / finishing / finition / Покрытие

CR € 50,00

23,3 Kg box pcs. 20

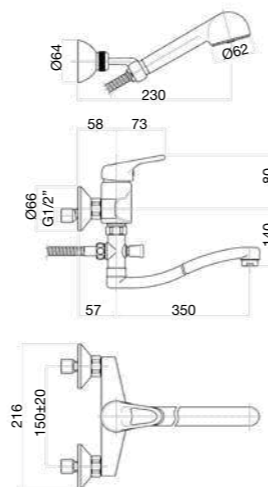


Vitone 1/2 1/2 head work

42 CR 4751



Miscelatore lavello a muro, canna S cm 35, deviatore e duplex.  
Wall sink mixer, 35 cm S-spout, with diverter and shower set.  
Mitigeur évier mural, bec S 35 cm avec inverseur et garniture.  
Смеситель для ванны, настенный монтаж, S-излив 35 см. с душевым гарнитуром.



Finitura / finishing / finition / Покрытие

CR € 111,00

27 Kg box pcs. 10

Ø 42 mm s/d 35 CA10 31

24 CR 0221

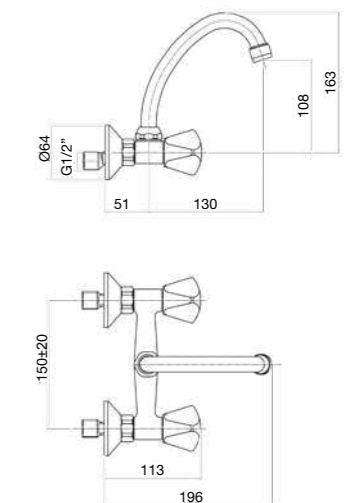


Gruppo lavello a muro, canna J cm 13.  
Wall sink mixer, 13 cm J-spout.  
Mélangeur évier mural, bec J cm 13.  
Смеситель для мойки, настенный монтаж, J-излив 13 см.

Finitura / finishing / finition / Покрытие

CR € 48,00

23,1 Kg box pcs. 20



Vitone 1/2 1/2 head work

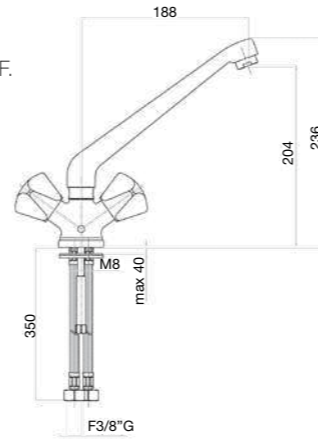
24 CR 0364 01

Monoforo lavello, canna fusa cm 20, flex cm 35 3/8" F.

One hole sink mixer, 20 cm cast spout, flex cm 35 3/8" F.

Mélangeur monotrou évier, bec fondu cm 20, flexibles cm 35 3/8" F.

Смеситель для мойки, гибкая подводка 35 см 3/8" F.



Finitura / finishing / finition / Покрытие

CR € 63,00

1/2 24 CR 0364 02

15,9 Kg box pcs. 10

Vitone 1/2 1/2 head work

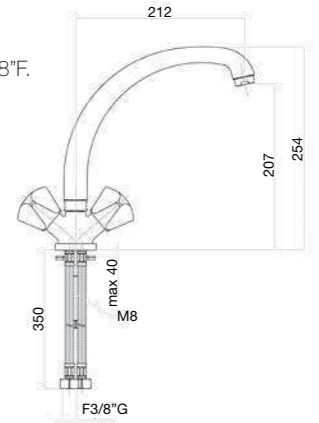
24 CR 0361 01

Monoforo lavello pesante, canna gonfiata, flex cm 35 3/8" F.

One hole sink mixer, heavy type, high spout, flex cm 35 3/8" F.

Mélangeur monotrou évier lourd, bec gonflé, flexibles cm 35 3/8" F.

Смеситель для отверстие, высокий излив, гибкая подводка 35 см 3/8" F.



Finitura / finishing / finition / Покрытие

CR € 60,00

1/2 24 CR 0361 02

26,5 Kg box pcs. 20

Vitone 1/2 1/2 head work

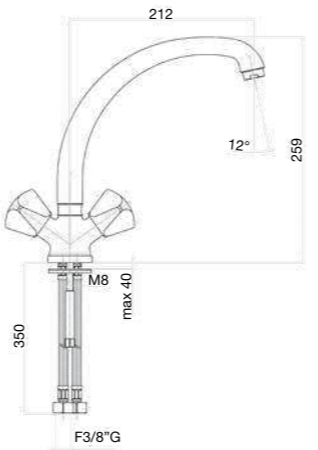
24 CR 0368 01

Monoforo lavello, canna gonfiata, flex cm 35 3/8" F.

One hole sink mixer, high spout, flex cm 35 3/8" F.

Mélangeur monotrou évier, bec gonflé, flexibles cm 35 3/8" F.

Смеситель для мойки, высокий излив, гибкая подводка 35 см 3/8" F.



Finitura / finishing / finition / Покрытие

CR € 59,00

1/2 24 CR 0368 02

26 Kg box pcs. 20

Vitone 1/2 1/2 head work

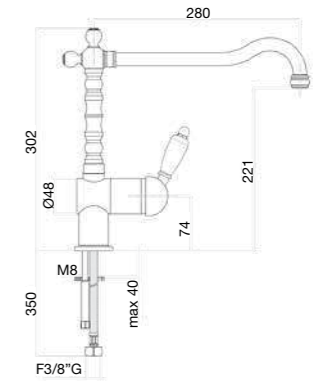
83 CR 5415 01

Monoforo lavello orizzontale, canna antica lunga flex cm 35 3/8" F.

Horizontal sink mixer with long old style spout, flex cm 35 3/8" F.

Mitigeur évier horizontal, bec rétro long, flexibles cm 35 3/8" F.

Смеситель для мойки на 1 отверстие, гибкая подводка 35 см 3/8" F.



Finitura / finishing / finition / Покрытие

CR € 167,00  
RR / ZZ € 234,00  
OO € 284,00

1/2 83 CR 5415 02

12,75 Kg box pcs. 5

Ø 42 mm s/d 35 CA10 31

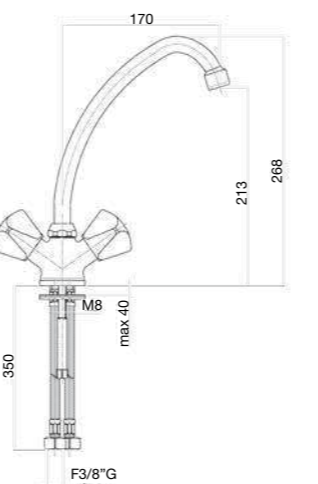
24 CR 0360 01

Monoforo lavello, canna J cm 20, flex cm 35 3/8" F.

One hole sink mixer, 20 cm J-spout, flex cm 35 3/8" F.

Mélangeur monotrou évier, bec J cm 20, flexibles cm 35 3/8" F.

Смеситель для мойки, гибкая подводка 35 см 3/8" F.



Finitura / finishing / finition / Покрытие

CR € 46,00

1/2 24 CR 0360 02

18,2 Kg box pcs. 15

Vitone 1/2 1/2 head work

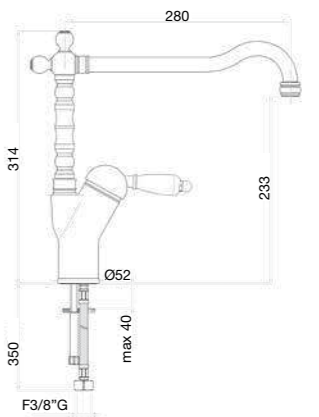
83 CR 4327 01

Monoforo lavello leva laterale, canna antica lunga, flex cm 35 3/8" F.

One hole sink mixer, side lever, long old style spout, flex cm 35 3/8" F.

Mitigeur évier, manette latérale, bec rétro long, flexibles cm 35 3/8" F.

Смеситель для мойки на 1 отверстие, гибкая подводка 35 см 3/8" F.



Finitura / finishing / finition / Покрытие

CR € 167,00  
RR / ZZ € 234,00  
OO € 284,00

1/2 83 CR 4327 02

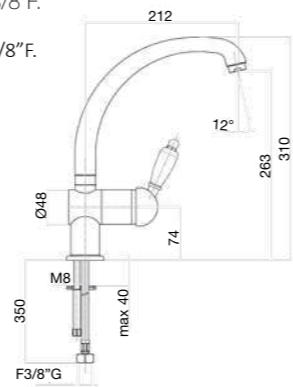
15 Kg box pcs. 5

Ø 42 mm c/d 35 CA10 30

83 CR 5462 01



Monoforo livello corpo orizzontale, canna gonfiata, flex cm 35 3/8" F.  
Horizontal sink mixer, heavy spout, flex cm 35 3/8" F.  
Mitigeur monotrou évier horizontal, bec gonflé, flexibles cm 35 3/8" F.  
Смеситель для мойки на 1 отверстие, гибкая подводка 35 см 3/8" F.



Finitura / finishing / finition / Покрытие

CR € 118,00  
RR / ZZ € 166,00  
OO € 201,00

1/2 83 CR 5462 02

20 Kg  
box pcs. 10

Ø 42 mm s/d  
35 CAIO 31

83 CR 5420

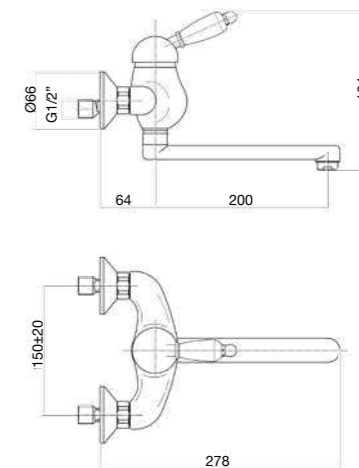


Miscelatore livello a muro, canna diritta cm 20.  
Wall sink mixer 20 cm straight spout.  
Mitigeur évier mural, bec droit cm 20.  
Смеситель настенный для мойки.

Finitura / finishing / finition / Покрытие

CR € 109,00  
RR / ZZ € 153,00  
OO € 185,00

20 Kg  
box pcs. 10

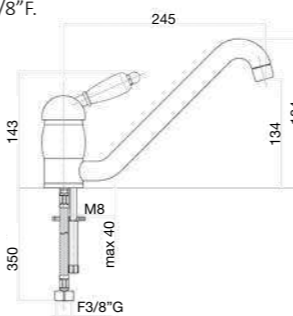


Ø 42 mm s/d  
35 CAIO 31

83 CR 5413 01



Monoforo livello canna tubo, flex cm 35 3/8" F.  
One hole sink mixer tube spout, flex cm 35 3/8" F.  
Mitigeur monotrou évier, bec tube, flexibles cm 35 3/8" F.  
Смеситель для мойки на 1 отверстие, гибкая подводка 35 см 3/8" F.



Finitura / finishing / finition / Покрытие

CR € 102,00  
RR / ZZ € 143,00  
OO € 173,00

1/2 83 CR 5413 02

15,7 Kg  
box pcs. 10

Ø 42 mm s/d  
35 CAIO 31

89 CR 5415 01



Monoforo livello orizzontale, canna antica lunga flex cm 35 3/8" F.  
Horizontal sink mixer with long old style spout, flex cm 35 3/8" F.  
Mitigeur évier horizontal, bec rétro long, flexibles cm 35 3/8" F.

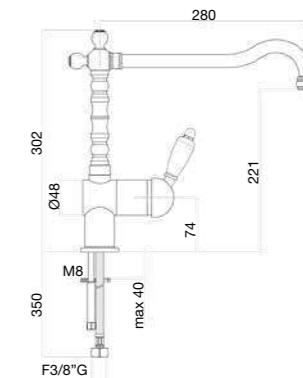
Смеситель для мойки на 1 отверстие, гибкая подводка 35 см 3/8" F.

Finitura / finishing / finition / Покрытие

CR € 179,00  
RR / ZZ € 250,00  
OO € 304,00

1/2 89 CR 5415 02

12,75 Kg  
box pcs. 5



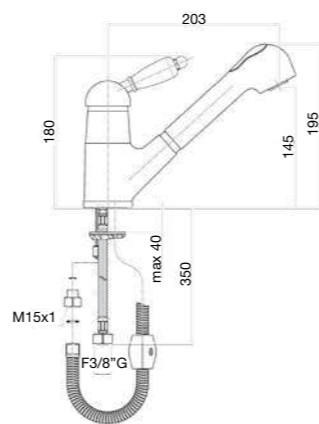
Ø 42 mm s/d  
35 CAIO 31

Imperiale Black

83 CR 4010 01



Monoforo livello, doccia estraibile, flex cm 35 3/8" F.  
One hole sink mixer, pull-out shower, flex cm 35 3/8" F.  
Mitigeur monotrou évier, douche extractible, flexibles cm 35 3/8" F.  
Смеситель для мойки на 1 отверстие, выдвижной душ, гибкая подводка 35 см 3/8" F.



Finitura / finishing / finition / Покрытие

CR € 136,00  
RR / ZZ € 231,00  
OO € 272,00

1/2 83 CR 4010 02

26,7 Kg  
box pcs. 10

Ø 42 mm s/d  
35 CAIO 31

89 CR 4327 01



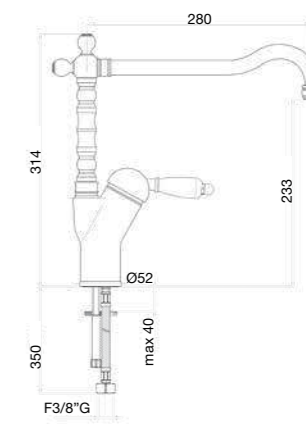
Monoforo livello leva laterale, canna antica lunga, flex cm 35 3/8" F.  
One hole sink mixer, side lever, long old style spout, flex cm 35 3/8" F.  
Mitigeur évier, manette latérale, bec rétro long, flexibles cm 35 3/8" F.  
Смеситель для мойки на 1 отверстие, гибкая подводка 35 см 3/8" F.

Finitura / finishing / finition / Покрытие

CR € 179,00  
RR / ZZ € 250,00  
OO € 304,00

1/2 89 CR 4327 02

15 Kg  
box pcs. 5

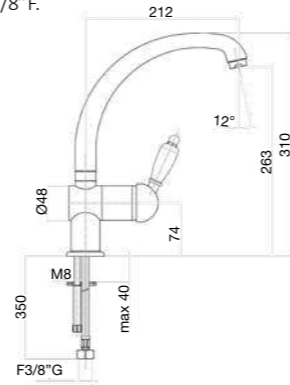


Ø 42 mm c/d  
35 CAIO 30

89 CR 5462 01

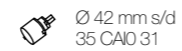


Monoforo livello corpo orizzontale, canna gonfiata, flex cm 35 3/8" F.  
Horizontal sink mixer, heavy spout, flex cm 35 3/8" F.  
Mitigeur monotrou évier horizontal, bec gonflé, flexibles cm 35 3/8" F.  
Смеситель для мойки на 1 отверстие, гибкая подводка 35 см 3/8" F.



Finitura / finishing / finition / Покрытие

CR € 130,00  
RR / ZZ € 182,00  
OO € 221,00



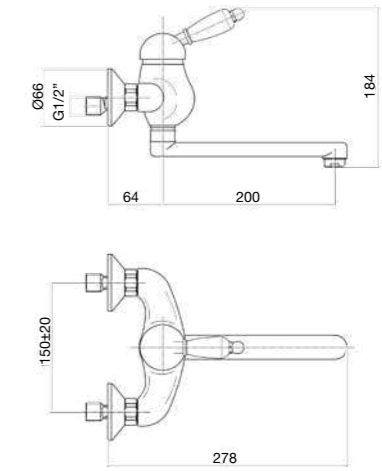
1/2 89 CR 5462 02



89 CR 5420

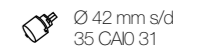


Miscelatore livello a muro, canna diritta cm 20.  
Wall sink mixer 20 cm straight spout.  
Mitigeur évier mural, bec droit cm 20.  
Смеситель настенный для мойки.



Finitura / finishing / finition / Покрытие

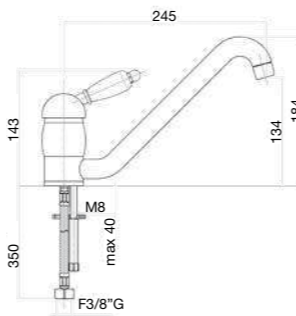
CR € 121,00  
RR / ZZ € 170,00  
OO € 206,00



89 CR 5413 01

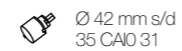


Monoforo livello canna tubo, flex cm 35 3/8" F.  
One hole sink mixer tube spout, flex cm 35 3/8" F.  
Mitigeur monotrou évier, bec tube, flexibles cm 35 3/8" F.  
Смеситель для мойки на 1 отверстие, гибкая подводка 35 см 3/8" F.



Finitura / finishing / finition / Покрытие

CR € 114,00  
RR / ZZ € 159,00  
OO € 194,00



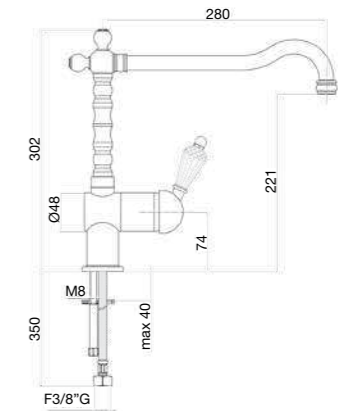
1/2 89 CR 5413 02



82 CR 5415 01



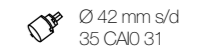
Monoforo livello orizzontale, canna antica lunga flex cm 35 3/8" F.  
Horizontal sink mixer with long old style spout, flex cm 35 3/8" F.  
Mitigeur évier horizontal, bec rétro long, flexibles cm 35 3/8" F.  
Смеситель для мойки на 1 отверстие, гибкая подводка 35 см 3/8" F.



Finitura / finishing / finition / Покрытие

CR € 209,00  
RR / ZZ € 293,00  
OO € 355,00

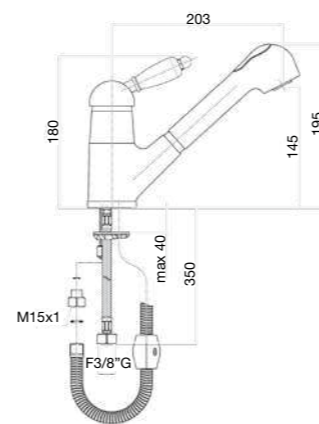
1/2 82 CR 5415 02



89 CR 4010 01



Monoforo livello, doccia estraibile, flex cm 35 3/8" F.  
One hole sink mixer, pull-out shower, flex cm 35 3/8" F.  
Mitigeur monotrou évier, douche extractible, flexibles cm 35 3/8" F.  
Смеситель для мойки на 1 отверстие, выдвижной душ, гибкая подводка 35 см 3/8" F.



Finitura / finishing / finition / Покрытие

CR € 148,00  
RR / ZZ € 252,00  
OO € 296,00



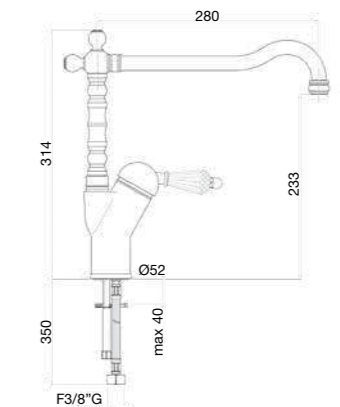
1/2 89 CR 4010 02



82 CR 4327 01



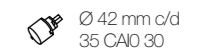
Monoforo livello leva laterale, canna antica lunga, flex cm 35 3/8" F.  
One hole sink mixer, side lever, long old style spout, flex cm 35 3/8" F.  
Mitigeur évier, manette latérale, bec rétro long, flexibles cm 35 3/8" F.  
Смеситель для мойки на 1 отверстие, гибкая подводка 35 см 3/8" F.



Finitura / finishing / finition / Покрытие

CR € 209,00  
RR / ZZ € 293,00  
OO € 355,00

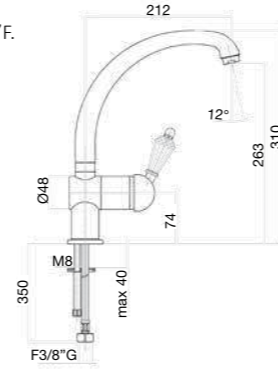
1/2 82 CR 4327 02



82 CR 5462 01



Monoforo livello corpo orizzontale, canna gonfiata, flex cm 35 3/8" F.  
Horizontal sink mixer, heavy spout, flex cm 35 3/8" F.  
Mitigeur monotrou évier horizontal, bec gonflé, flexibles cm 35 3/8" F.  
Смеситель для мойки на 1 отверстие, гибкая подводка 35 см 3/8" F.



Finitura / finishing / finition / Покрытие

CR € 160,00  
RR / ZZ € 225,00  
OO € 273,00

1/2 82 CR 5462 02

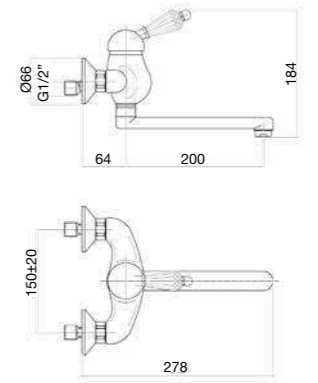
20 Kg  
box pcs. 10

Ø 42 mm s/d  
35 CAIO 31

82 CR 5420



Miscelatore livello a muro, canna diritta cm 20.  
Wall sink mixer 20 cm straight spout.  
Mitigeur évier mural, bec droit cm 20.  
Смеситель настенный для мойки.



Finitura / finishing / finition / Покрытие

CR € 151,00  
RR / ZZ € 212,00  
OO € 257,00

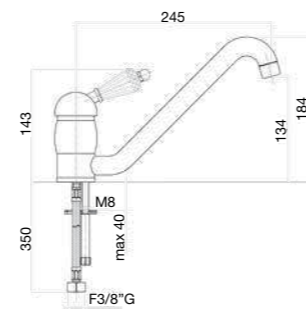
20 Kg  
box pcs. 10

Ø 42 mm s/d  
35 CAIO 31

82 CR 5413 01



Monoforo livello canna tubo, flex cm 35 3/8" F.  
One hole sink mixer tube spout, flex cm 35 3/8" F.  
Mitigeur monotrou évier, bec tube, flexibles cm 35 3/8" F.  
Смеситель для мойки на 1 отверстие, гибкая подводка 35 см 3/8" F.



Finitura / finishing / finition / Покрытие

CR € 144,00  
RR / ZZ € 202,00  
OO € 245,00

1/2 82 CR 5413 02

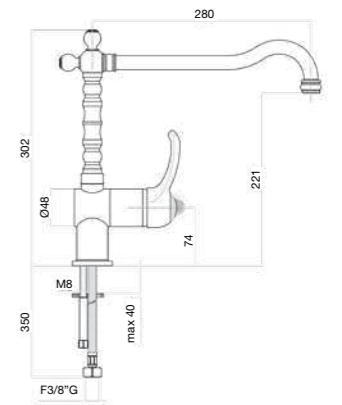
15,7 Kg  
box pcs. 10

Ø 42 mm s/d  
35 CAIO 31

84 CR 5415 01



Monoforo livello orizzontale, canna antica lunga flex cm 35 3/8" F.  
Horizontal sink mixer with long old style spout, flex cm 35 3/8" F.  
Mitigeur évier horizontal, bec rétro long, flexibles cm 35 3/8" F.  
Смеситель для мойки на 1 отверстие, гибкая подводка 35 см 3/8" F.



Finitura / finishing / finition / Покрытие

CR € 186,00  
RR / ZZ € 261,00  
OO € 317,00

1/2 84 CR 5415 02

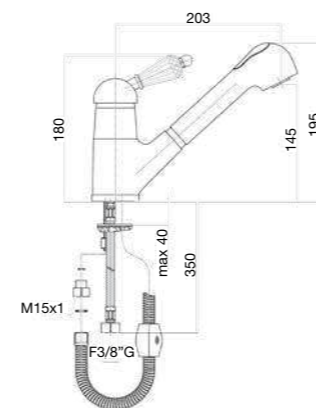
12,75 Kg  
box pcs. 5

Ø 42 mm s/d  
35 CAIO 31

82 CR 4010 01



Monoforo livello, doccia estraibile, flex cm 35 3/8" F.  
One hole sink mixer, pull-out shower, flex cm 35 3/8" F.  
Mitigeur monotrou évier, douche extractible, flexibles cm 35 3/8" F.  
Смеситель для мойки на 1 отверстие, выдвижной душ, гибкая подводка 35 см 3/8" F.



Finitura / finishing / finition / Покрытие

CR € 178,00  
RR / ZZ € 303,00  
OO € 356,00

1/2 82 CR 4010 02

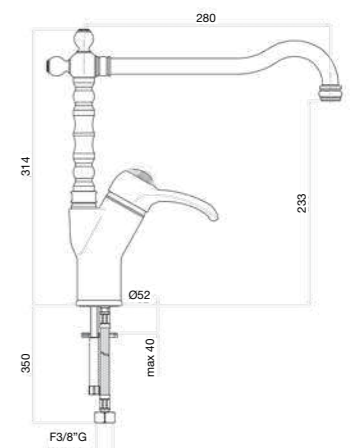
26,7 Kg  
box pcs. 10

Ø 42 mm s/d  
35 CAIO 31

84 CR 4327 01



Monoforo livello leva laterale, canna antica lunga, flex cm 35 3/8" F.  
One hole sink mixer, side lever, long old style spout, flex cm 35 3/8" F.  
Mitigeur évier, manette latérale, bec rétro long, flexibles cm 35 3/8" F.  
Смеситель для мойки на 1 отверстие, гибкая подводка 35 см 3/8" F.



Finitura / finishing / finition / Покрытие

CR € 186,00  
RR / ZZ € 261,00  
OO € 317,00

1/2 84 CR 4327 02

15 Kg  
box pcs. 5

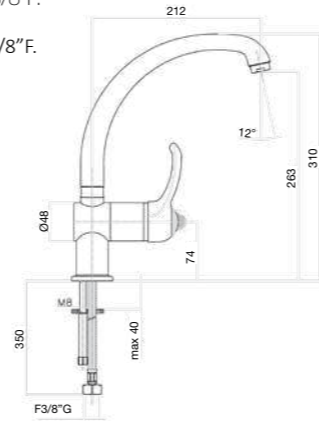
Ø 42 mm c/d  
35 CAIO 30



84 CR 5462 01

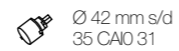


Monoforo livello corpo orizzontale, canna gonfiata, flex cm 35 3/8" F.  
Horizontal sink mixer, heavy spout, flex cm 35 3/8" F.  
Mitigeur monotrou évier horizontal, bec gonflé, flexibles cm 35 3/8" F.  
Смеситель для мойки на 1 отверстие, гибкая подводка 35 см 3/8" F.



Finitura / finishing / finition / Покрытие

CR € 138,00  
RR / ZZ € 193,00  
OO € 234,00



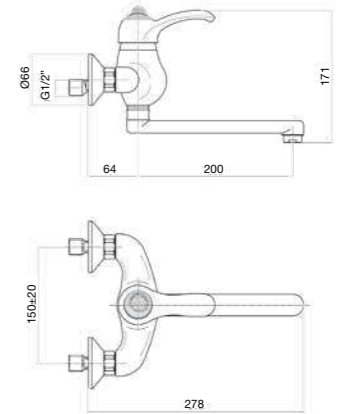
1/2 84 CR 5462 02



84 CR 5420

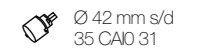


Miscelatore livello a muro, canna diritta cm 20.  
Wall sink mixer 20 cm straight spout.  
Mitigeur évier mural, bec droit cm 20.  
Смеситель настенный для мойки.



Finitura / finishing / finition / Покрытие

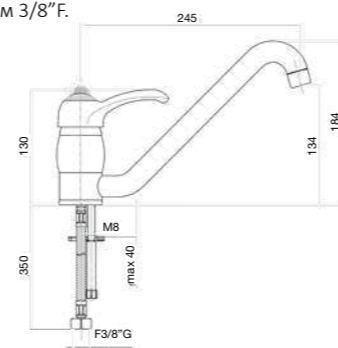
CR € 129,00  
RR / ZZ € 180,00  
OO € 219,00



84 CR 5413 01



Monoforo livello canna tubo, flex cm 35 3/8" F.  
One hole sink mixer tube spout, flex cm 35 3/8" F.  
Mitigeur monotrou évier, bec tube, flexibles cm 35 3/8" F.  
Смеситель для мойки на 1 отверстие, гибкая подводка 35 см 3/8" F.



Finitura / finishing / finition / Покрытие

CR € 122,00  
RR / ZZ € 170,00  
OO € 207,00



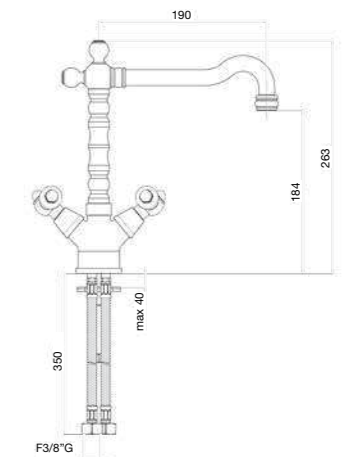
1/2 84 CR 5413 02



22 CR 0641 01



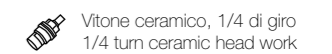
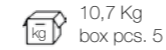
Monoforo livello, canna antica, tubi flex cm 35 3/8" F.  
One hole sink mixer, old style spout, flex cm 35 3/8" F.  
Mélangeur monotrou évier, bec rétro, flexibles cm 35 3/8" F.  
Смеситель для мойки на 1 отверстие, гибкая подводка 35 см 3/8" F.



Finitura / finishing / finition / Покрытие

CR € 213,00  
OO € 234,00  
RR / ZZ € 298,00  
OO € 362,00

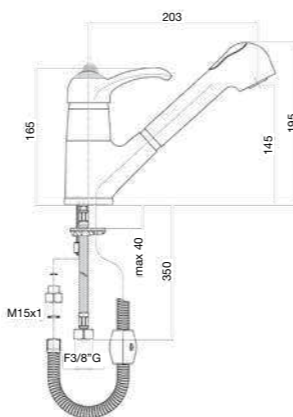
1/2 22 CR 0641 02



84 CR 4010 01

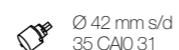


Monoforo livello, doccia estraibile, flex cm 35 3/8" F.  
One hole sink mixer, pull-out shower, flex cm 35 3/8" F.  
Mitigeur monotrou évier, douche extractible, flexibles cm 35 3/8" F.  
Смеситель для мойки на 1 отверстие, выдвижной душ, гибкая подводка 35 см 3/8" F.



Finitura / finishing / finition / Покрытие

CR € 156,00  
RR / ZZ € 265,00  
OO € 311,00



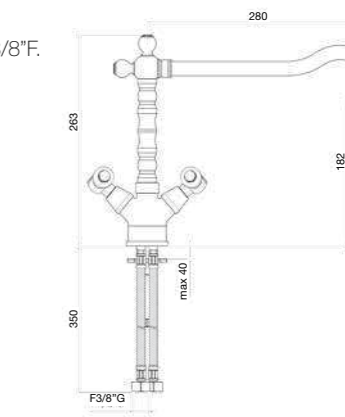
1/2 84 CR 4010 02



22 CR 0644 01



Monoforo livello, canna antica lunga, tubi flex cm 35 3/8" F.  
One hole sink mixer, long old style spout, flex cm 35 3/8" F.  
Mélangeur monotrou évier, bec rétro long, flexibles cm 35 3/8" F.  
Смеситель для мойки на 1 отверстие, гибкая подводка 35 см 3/8" F.



Finitura / finishing / finition / Покрытие

CR € 221,00  
OO € 243,00  
RR / ZZ € 309,00  
OO € 375,00

1/2 22 CR 0644 02



22 CR 0642



Gruppo lavello a muro, canna tubo S cm 20.

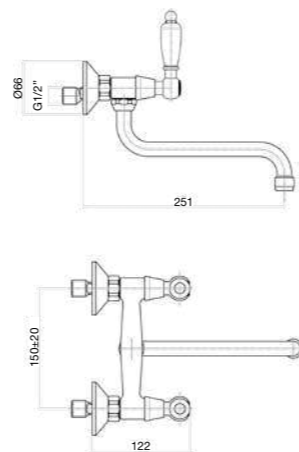
Wall sink mixer, 20 cm tube S-spout.

Mélangeur évier mural, bec tube S cm 20.

Смеситель настенный для мойки.

Finitura / finishing / finition / Покрытие

CR	€ 183,00
CO	€ 201,00
RR / ZZ	€ 255,00
OO	€ 311,00



Vitone ceramico, 1/4 di giro  
1/4 turn ceramic head work

9,7 Kg  
box pcs. 5

22 CR 0643



Gruppo lavello a muro, canna antica.

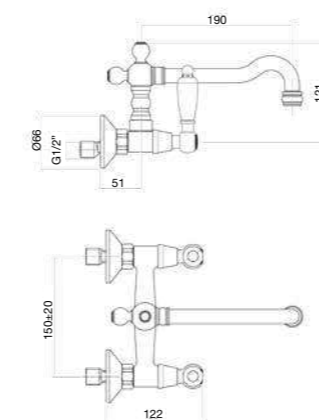
Wall sink mixer, old style spout.

Mélangeur évier mural, bec rétro.

Смеситель настенный для мойки.

Finitura / finishing / finition / Покрытие

CR	€ 214,00
CO	€ 236,00
RR / ZZ	€ 300,00
OO	€ 365,00



Vitone ceramico, 1/4 di giro  
1/4 turn ceramic head work

14,7 Kg  
box pcs. 5

22 CR 0645



Gruppo lavello a muro, canna antica lunga.

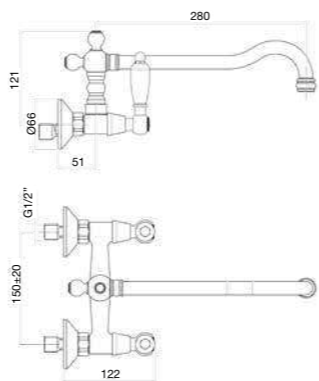
Wall sink mixer, long old style spout.

Mélangeur évier mural, bec rétro long.

Смеситель настенный для мойки.

Finitura / finishing / finition / Покрытие

CR	€ 222,00
CO	€ 245,00
RR / ZZ	€ 312,00
OO	€ 378,00



Vitone ceramico, 1/4 di giro  
1/4 turn ceramic head work

15,75 Kg  
box pcs. 5

03 CR 0641 01



Monoforo lavello, canna antica, tubi flex cm 35 3/8"F.

One hole sink mixer, old style spout, flex cm 35 3/8"F.

Mélangeur monotrou évier, bec rétro, flexibles cm 35 3/8"F.

Смеситель для мойки на 1 отверстие, гибкая подводка 35 см 3/8"F.

Finitura / finishing / finition / Покрытие

CR	€ 234,00
CO	€ 258,00
RR / ZZ	€ 328,00
OO	€ 399,00

10,7 Kg  
box pcs. 5

Vitone ceramico, 1/4 di giro  
1/4 turn ceramic head work

03 CR 0644 01



Monoforo lavello, canna antica lunga, tubi flex cm 35 3/8"F.

One hole sink mixer, long old style spout, flex cm 35 3/8"F.

Mélangeur monotrou évier, bec rétro long, flexibles cm 35 3/8"F.

Смеситель для мойки на 1 отверстие, гибкая подводка 35 см 3/8"F.

Finitura / finishing / finition / Покрытие

CR	€ 242,00
CO	€ 267,00
RR / ZZ	€ 340,00
OO	€ 412,00

12 Kg  
box pcs. 5

Vitone ceramico, 1/4 di giro  
1/4 turn ceramic head work

03 CR 0642



Gruppo lavello a muro, canna tubo S cm 20.

Wall sink mixer, 20 cm tube S-spout.

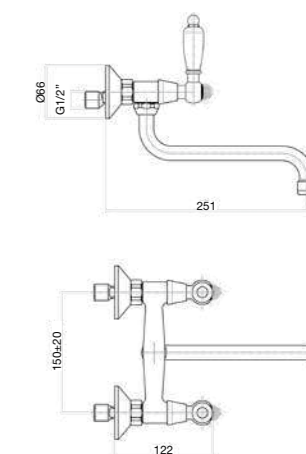
Mélangeur évier mural, bec tube S cm 20.

Смеситель настенный для мойки.

Finitura / finishing / finition / Покрытие

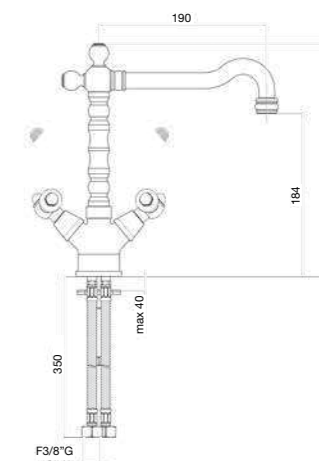
CR	€ 204,00
CO	€ 225,00
RR / ZZ	€ 286,00
OO	€ 347,00

9,7 Kg  
box pcs. 5

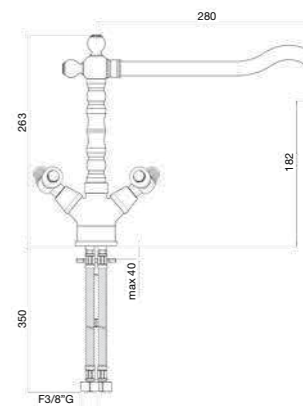


Vitone ceramico, 1/4 di giro  
1/4 turn ceramic head work

Coloniale Sky



Vitone ceramico, 1/4 di giro  
1/4 turn ceramic head work



Vitone ceramico, 1/4 di giro  
1/4 turn ceramic head work

03 CR 0643

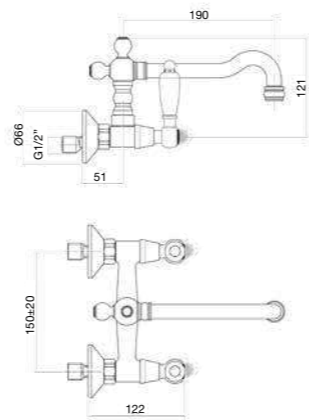


Gruppo lavello a muro, canna antica.

Wall sink mixer, old style spout.

Mélangeur évier mural, bec rétro.

Смеситель настенный для мойки.



Finitura / finishing / finition / Покрытие

CR	€ 236,00
CO	€ 260,00
RR / ZZ	€ 330,00
OO	€ 401,00

14,7 Kg  
box pcs. 5

Vitone ceramico, 1/4 di giro  
1/4 turn ceramic head work

01 CR 0641 01

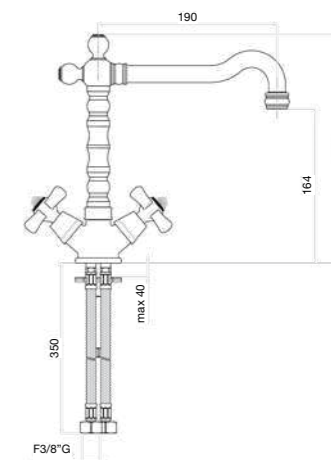


Monoforo lavello, tubi flex cm 35 3/8\"F.

One hole sink mixer, flex cm 35 3/8\"F.

Mélangeur monotrou évier, flexibles cm 35 3/8\"F.

Смеситель для мойки на 1 отверстие,  
гибкая подводка 35 см 3/8\"F.



Finitura / finishing / finition / Покрытие

CR	€ 140,00
CO	€ 154,00
RR / ZZ	€ 197,00
OO	€ 239,00

1/2 01 CR 0641 02

17,18 Kg  
box pcs. 5

Vitone ceramico, 1/4 di giro  
1/4 turn ceramic head work

03 CR 0645

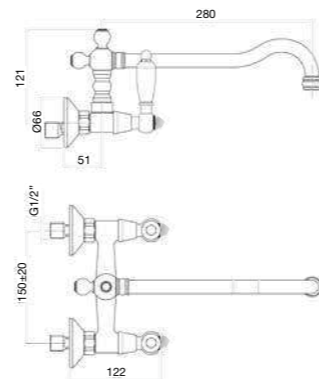


Gruppo lavello a muro, canna antica lunga.

Wall sink mixer, long old style spout.

Mélangeur évier mural, bec rétro long.

Смеситель настенный для мойки.



Finitura / finishing / finition / Покрытие

CR	€ 244,00
CO	€ 268,00
RR / ZZ	€ 342,00
OO	€ 399,00

15,75 Kg  
box pcs. 5

Vitone ceramico, 1/4 di giro  
1/4 turn ceramic head work

01 CR 0644 01

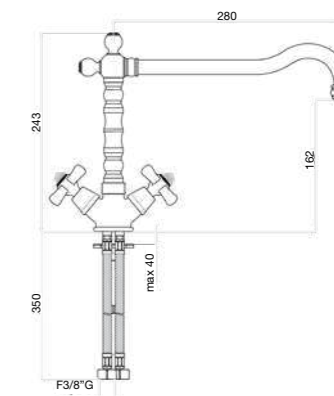


Monoforo lavello, tubi flex cm 35 3/8\"F.

One hole sink mixer, flex cm 35 3/8\"F.

Mélangeur monotrou évier, flexibles cm 35 3/8\"F.

Смеситель для мойки на 1 отверстие,  
гибкая подводка 35 см 3/8\"F.



Finitura / finishing / finition / Покрытие

CR	€ 149,00
CO	€ 164,00
RR / ZZ	€ 208,00
OO	€ 253,00

1/2 01 CR 0644 02

12,15 Kg  
box pcs. 5

Vitone ceramico, 1/4 di giro  
1/4 turn ceramic head work

01 CR 0363 01

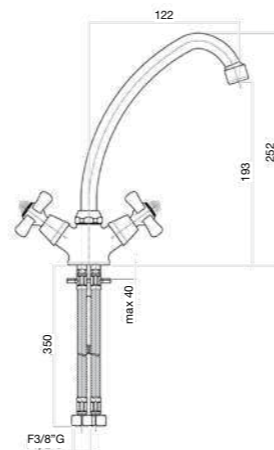


Monoforo lavello, tubi flex cm 35 3/8\"F.

One hole sink mixer, flex cm 35 3/8\"F.

Mélangeur monotrou évier, flexibles cm 35 3/8\"F.

Смеситель для мойки на 1 отверстие, гибкая  
подводка 35 см 3/8\"F.



Finitura / finishing / finition / Покрытие

CR	€ 114,00
CO	€ 126,00
RR / ZZ	€ 160,00
OO	€ 194,00

1/2 26 CR 0363 02

26,7 Kg  
box pcs. 20

Vitone ceramico, 1/4 di giro  
1/4 turn ceramic head work

Margot Sky

01 CR 0642

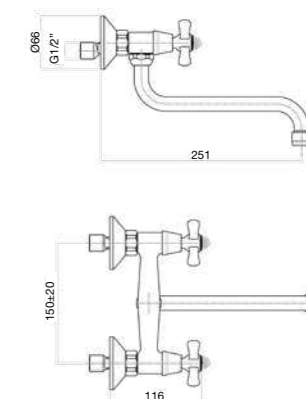


Gruppo lavello a muro.

Wall sink mixer.

Mélangeur évier mural.

Смеситель настенный для мойки.



Finitura / finishing / finition / Покрытие

CR	€ 145,00
CO	€ 159,00
RR / ZZ	€ 203,00
OO	€ 246,00

8,9 Kg  
box pcs. 5

Vitone ceramico, 1/4 di giro  
1/4 turn ceramic head work

01 CR 0643

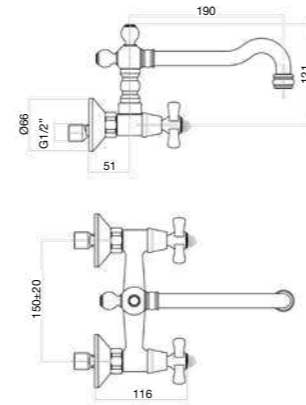


Gruppo lavello a muro.  
Wall sink mixer.  
Mélangeur évier mural.  
Смеситель настенный для мойки.

Finitura / finishing / finition / Покрытие

CR € 177,00  
OO € 194,00  
RR / ZZ € 247,00  
OO € 300,00

13,4 Kg  
box pcs. 5



Vitone ceramico, 1/4 di giro  
1/4 turn ceramic head work

08 CR 0641 01



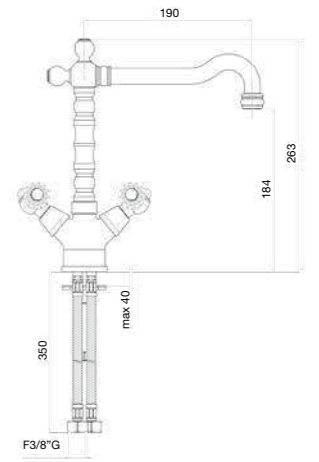
Monoforo lavello, canna antica, tubi flex cm 35 3/8" F.  
One hole sink mixer, old style spout, flex cm 35 3/8" F.  
Mélangeur monotrou évier, bec rétro, flexibles cm 35 3/8" F.  
Смеситель для мойки на 1 отверстие, гибкая подводка 35 см 3/8" F.

Finitura / finishing / finition / Покрытие

CR € 278,00  
OO € 305,00  
RR / ZZ € 389,00  
OO € 472,00

1/2 08 CR 0641 02

10,7 Kg  
box pcs. 5



Vitone ceramico, 1/4 di giro  
1/4 turn ceramic head work

01 CR 0645

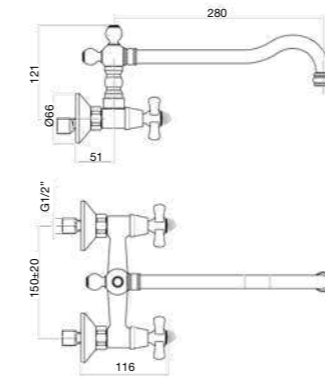


Gruppo lavello a muro.  
Wall sink mixer.  
Mélangeur évier mural.  
Смеситель настенный для мойки.

Finitura / finishing / finition / Покрытие

CR € 185,00  
OO € 203,00  
RR / ZZ € 259,00  
OO € 314,00

15,6 Kg  
box pcs. 5



Vitone ceramico, 1/4 di giro  
1/4 turn ceramic head work

08 CR 0644 01



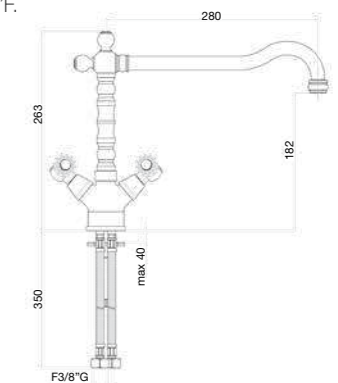
Monoforo lavello, canna antica lunga, tubi flex cm 35 3/8" F.  
One hole sink mixer, long old style spout, flex cm 35 3/8" F.  
Mélangeur monotrou évier, bec rétro long, flexibles cm 35 3/8" F.  
Смеситель для мойки на 1 отверстие, гибкая подводка 35 см 3/8" F.

Finitura / finishing / finition / Покрытие

CR € 286,00  
OO € 314,00  
RR / ZZ € 400,00  
OO € 485,00

1/2 08 CR 0644 02

12 Kg  
box pcs. 5



Vitone ceramico, 1/4 di giro  
1/4 turn ceramic head work

01 CR 0302

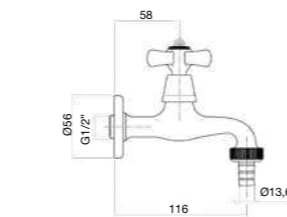


Rubinetto Trieste con portagomma.  
Tap with hose connection.  
Robinet de service 1/2" avec raccord au nez.  
Кран хозяйственный с резьбой для шланга.

Finitura / finishing / finition / Покрытие

CR € 50,00  
OO € 57,00  
RR / ZZ € 70,00  
OO € 85,00

16,8 Kg  
box pcs. 30



Vitone ceramico, 1/4 di giro  
1/4 turn ceramic head work

08 CR 0642

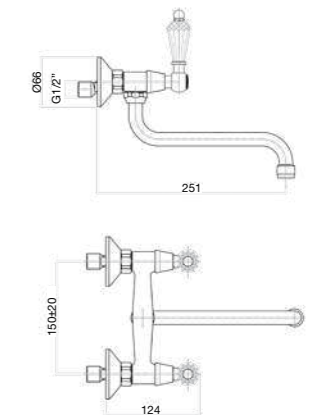


Gruppo lavello a muro, canna tubo S cm 20.  
Wall sink mixer, 20 cm tube S-spout.  
Mélangeur évier mural, bec tube S cm 20.  
Смеситель настенный для мойки.

Finitura / finishing / finition / Покрытие

CR € 247,00  
OO € 272,00  
RR / ZZ € 346,00  
OO € 421,00

9,7 Kg  
box pcs. 5



Vitone ceramico, 1/4 di giro  
1/4 turn ceramic head work

08 CR 0643

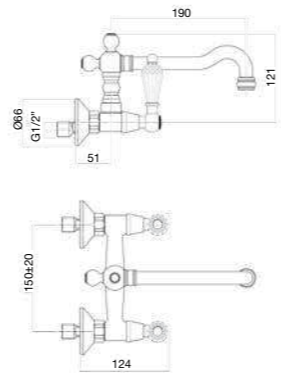


Gruppo lavello a muro, canna antica.

Wall sink mixer, old style spout.

Mélangeur évier mural, bec rétro.

Смеситель настенный для мойки.



Finitura / finishing / finition / Покрытие

CR	<b>€ 279,00</b>
CO	<b>€ 307,00</b>
RR / ZZ	<b>€ 391,00</b>
OO	<b>€ 475,00</b>

14,7 Kg  
box pcs. 5

Vitone ceramico, 1/4 di giro  
1/4 turn ceramic head work

09 CR 0644 01

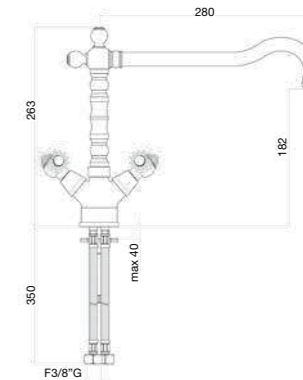


Monoforo lavello, canna antica lunga, tubi flex cm 35 3/8"F.

One hole sink mixer, long old style spout, flex cm 35 3/8"F.

Mélangeur monotrou évier, bec rétro long, flexibles cm 35 3/8"F.

Смеситель для мойки на 1 отверстие, гибкая подводка 35 см 3/8"F.



Finitura / finishing / finition / Покрытие

CR	<b>€ 329,00</b>
CO	<b>€ 362,00</b>
RR / ZZ	<b>€ 461,00</b>
OO	<b>€ 559,00</b>

1/2 09 CR 0644 02

12 Kg  
box pcs. 5

Vitone ceramico, 1/4 di giro  
1/4 turn ceramic head work

08 CR 0645

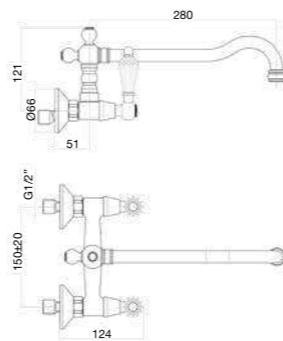


Gruppo lavello a muro, canna antica lunga.

Wall sink mixer, long old style spout.

Mélangeur évier mural, bec rétro long.

Смеситель настенный для мойки.



Finitura / finishing / finition / Покрытие

CR	<b>€ 287,00</b>
CO	<b>€ 316,00</b>
RR / ZZ	<b>€ 402,00</b>
OO	<b>€ 488,00</b>

15,75 Kg  
box pcs. 5

Vitone ceramico, 1/4 di giro  
1/4 turn ceramic head work

09 CR 0642

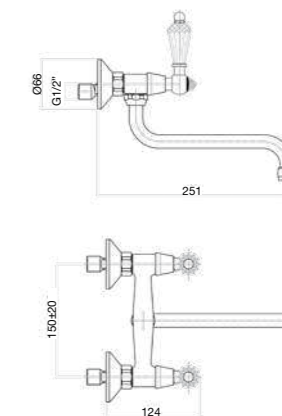


Gruppo lavello a muro, canna tubo S cm 20.

Wall sink mixer, 20 cm tube S-spout.

Mélangeur évier mural, bec tube S cm 20.

Смеситель настенный для мойки.



Finitura / finishing / finition / Покрытие

CR	<b>€ 291,00</b>
CO	<b>€ 320,00</b>
RR / ZZ	<b>€ 407,00</b>
OO	<b>€ 494,00</b>

9,7 Kg  
box pcs. 5

Vitone ceramico, 1/4 di giro  
1/4 turn ceramic head work

09 CR 0641 01



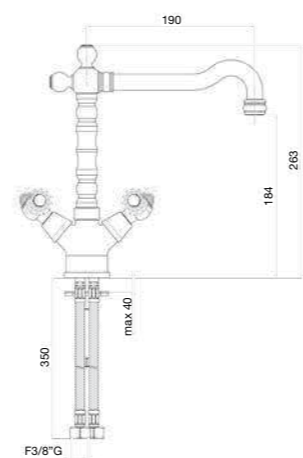
Monoforo lavello, canna antica, tubi flex cm 35 3/8"F.

One hole sink mixer, old style spout, flex cm 35 3/8"F.

Mélangeur monotrou évier, bec rétro, flexibles cm 35 3/8"F.

Смеситель для мойки на 1 отверстие, гибкая подводка 35 см 3/8"F.

Gioielli Sky



Finitura / finishing / finition / Покрытие

CR	<b>€ 321,00</b>
CO	<b>€ 353,00</b>
RR / ZZ	<b>€ 449,00</b>
OO	<b>€ 545,00</b>

1/2 09 CR 0641 02

10,7 Kg  
box pcs. 5

Vitone ceramico, 1/4 di giro  
1/4 turn ceramic head work

09 CR 0643

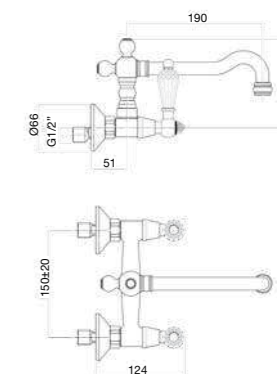


Gruppo lavello a muro, canna antica.

Wall sink mixer, old style spout.

Mélangeur évier mural, bec rétro.

Смеситель настенный для мойки.



Finitura / finishing / finition / Покрытие

CR	<b>€ 322,00</b>
CO	<b>€ 355,00</b>
RR / ZZ	<b>€ 451,00</b>
OO	<b>€ 548,00</b>

14,7 Kg  
box pcs. 5

Vitone ceramico, 1/4 di giro  
1/4 turn ceramic head work

09 CR 0645

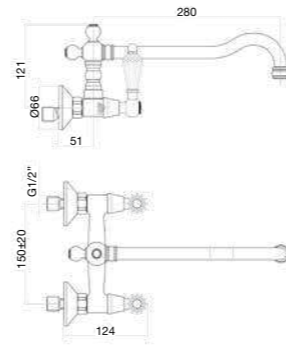


Gruppo lavello a muro, canna antica lunga.

Wall sink mixer, long old style spout.

Mélangeur évier mural, bec rétro long.

Смеситель настенный для мойки.



Finitura / finishing / finition / Покрытие

CR € 330,00  
 CO € 363,00  
 RR / ZZ € 463,00  
 OO € 562,00



15,75 Kg  
 box pcs. 5



Vitone ceramico, 1/4 di giro  
 1/4 turn ceramic head work

13 CR 0643 01

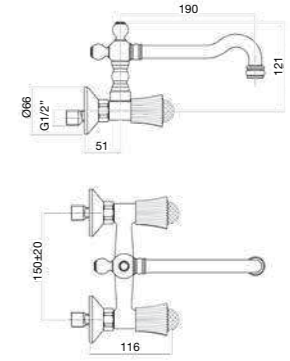


Gruppo lavello a muro, canna antica.

Wall sink mixer, old style spout.

Mélangeur évier mural, bec rétro.

Смеситель настенный для мойки.



Finitura / finishing / finition / Покрытие

CR € 236,00  
 CO € 260,00  
 RR / ZZ € 330,00  
 OO € 401,00



14,7 Kg  
 box pcs. 5



Vitone ceramico, 1/4 di giro  
 1/4 turn ceramic head work

13 CR 0641 01



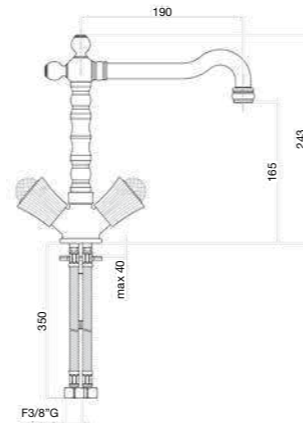
Monoforo lavello, canna antica, tubi flex cm 35 3/8" F.

One hole sink mixer, old style spout, flex cm 35 3/8" F.

Mélangeur monotrou évier, bec rétro, flexibles cm 35 3/8" F.

Смеситель для мойки на 1 отверстие, гибкая подводка 35 см 3/8" F.

Venere Sky



Finitura / finishing / finition / Покрытие

CR € 234,00  
 CO € 258,00  
 RR / ZZ € 328,00  
 OO € 399,00



13 CR 0641 02



10,7 Kg  
 box pcs. 5



Vitone ceramico, 1/4 di giro  
 1/4 turn ceramic head work

17 CR 0541 01



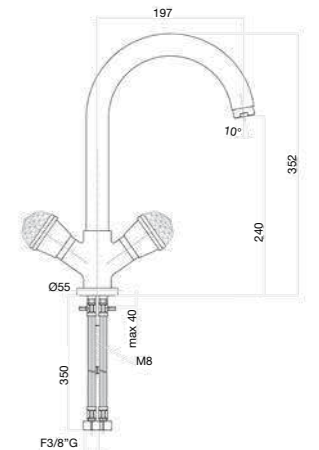
Monoforo lavello, tubi flex cm 35 3/8" F.

One hole sink mixer, flex cm 35 3/8" F.

Mélangeur monotrou évier, flexibles cm 35 3/8" F.

Смеситель для мойки на 1 отверстие, гибкая подводка 35 см 3/8" F.

XT Sky



Finitura / finishing / finition / Покрытие

CR € 316,00



17 CR 0541 02



14 Kg  
 box pcs. 5



Vitone ceramico, 1/4 di giro  
 1/4 turn ceramic head work

13 CR 0644 01

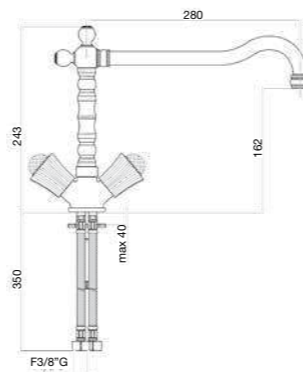


Monoforo lavello, canna antica lunga, tubi flex cm 35 3/8" F.

One hole sink mixer, long old style spout, flex cm 35 3/8" F.

Mélangeur monotrou évier, bec rétro long, flexibles cm 35 3/8" F.

Смеситель для мойки на 1 отверстие, гибкая подводка 35 см 3/8" F.



Finitura / finishing / finition / Покрытие

CR € 242,00  
 CO € 267,00  
 RR / ZZ € 340,00  
 OO € 412,00



13 CR 0644 02



12 Kg  
 box pcs. 5



Vitone ceramico, 1/4 di giro  
 1/4 turn ceramic head work

17 CR 0641 01

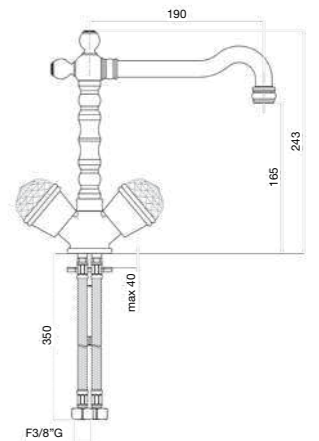


Monoforo lavello, canna antica, tubi flex cm 35 3/8" F.

One hole sink mixer, old style spout, flex cm 35 3/8" F.

Mélangeur monotrou évier, bec rétro, flexibles cm 35 3/8" F.

Смеситель для мойки на 1 отверстие, гибкая подводка 35 см 3/8" F.



Finitura / finishing / finition / Покрытие

CR € 310,00  
 CO € 341,00  
 RR / ZZ € 434,00  
 OO € 527,00



17 CR 0641 02



12 Kg  
 box pcs. 5



Vitone ceramico, 1/4 di giro  
 1/4 turn ceramic head work

17 CR 0644 01

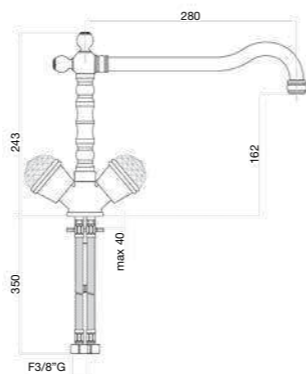


Monoforo lavello, canna antica lunga, tubi flex cm 35 3/8" F.

One hole sink mixer, long old style spout, flex cm 35 3/8" F.

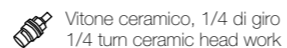
Mélangeur monotrou évier, bec rétro long, flexibles cm 35 3/8" F.

Смеситель для мойки на 1 отверстие, гибкая подводка 35 см 3/8" F.



Finitura / finishing / finition / Покрытие

CR € 318,00  
 CO € 350,00  
 RR / ZZ € 446,00  
 OO € 540,00



1/2 17 CR 0644 02

12 Kg box pcs. 5

17 CR 0542

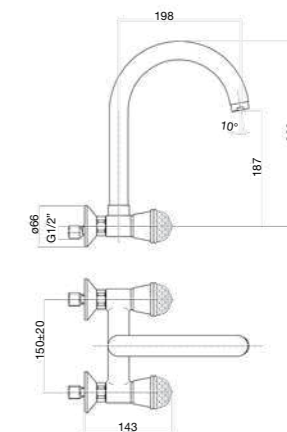


Gruppo lavello a muro canna orientabile.

Wall sink mixer, swivel spout.

Mélangeur évier mural avec bec orientable.

Смеситель для мойки, настенный монтаж.



Finitura / finishing / finition / Покрытие

CR € 316,00



12,7 Kg box pcs. 5

17 CR 0546 01

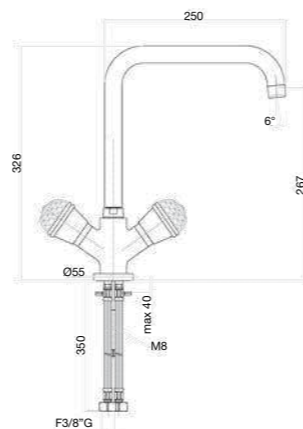


Monoforo lavello canna L, flex cm 35 3/8" F.

One hole sink mixer, L- spout, flex cm 35 3/8" F.

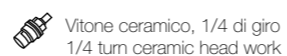
Mélangeur monotrou évier, bec L, flexibles cm 35 3/8" F.

Смеситель для мойки, L-излив, гибкая подводка 35 см 3/8" F.



Finitura / finishing / finition / Покрытие

CR € 313,00



1/2 17 CR 0546 02

12 Kg box pcs. 5

25 CR 0543

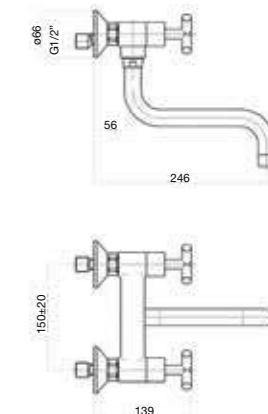


Gruppo lavello muro canna S

Wall sink mixer, S-spout

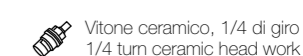
Mélangeur évier mural avec bec S

Смеситель для мойки, настенный монтаж S-излив.



Finitura / finishing / finition / Покрытие

CR € 140,00



10,3 Kg box pcs. 5

17 CR 0543

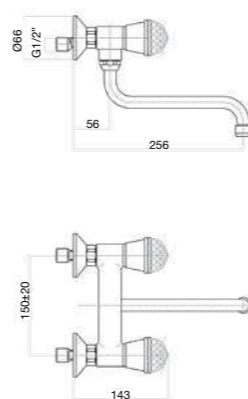


Gruppo lavello muro canna S

Wall sink mixer, S-spout

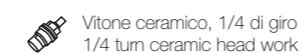
Mélangeur évier mural avec bec S

Смеситель для мойки, настенный монтаж S-излив.



Finitura / finishing / finition / Покрытие

CR € 302,00



12 Kg box pcs. 5

25 CR 0542

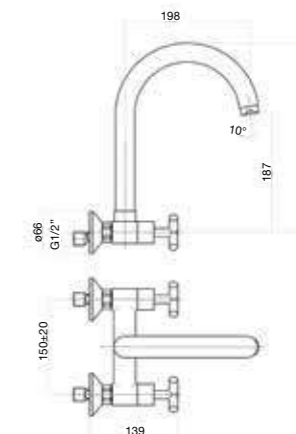


Gruppo lavello a muro canna orientabile.

Wall sink mixer, swivel spout.

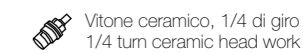
Mélangeur évier mural avec bec orientable.

Смеситель для мойки, настенный монтаж.



Finitura / finishing / finition / Покрытие

CR € 154,00



11 Kg box pcs. 5

25 CR 0546 01

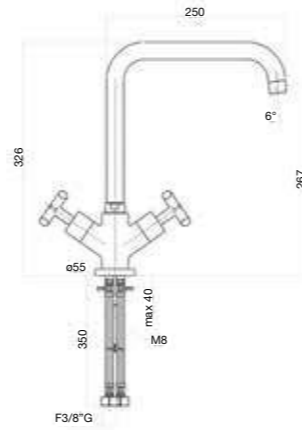


Monoforo lavello canna L, flex cm 35 3/8" F.

One hole sink mixer, L- spout, flex cm 35 3/8" F.

Mélangeur monotrou évier, bec L, flexibles cm 35 3/8" F.

Смеситель для мойки, L-излив, гибкая подводка 35 см 3/8" F.



Finitura / finishing / finition / Покрытие

CR € 151,00

1/2 25 CR 0546 02

14 Kg  
box pcs. 5

Vitone ceramico, 1/4 di giro  
1/4 turn ceramic head work

25 CR 0302

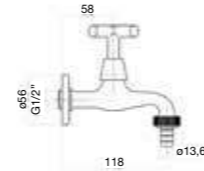


Rubinetto Trieste con portagomma.

Tap with hose connection.

Robinet de service 1/2" avec raccord au nez.

Кран хозяйственный с резьбой для шланга.



Finitura / finishing / finition / Покрытие

CR € 37,00

16,5 Kg  
box pcs. 30

Vitone ceramico, 1/4 di giro  
1/4 turn ceramic head work





## COME ORDINARE LE FINITURE SUPERFICIALI

Per i **rubinetti monocomando**, **per i rubunetti a doppia maniglia** e per gli **accessori bagno** la finitura è indicata dalle **due lettere** nel codice articolo: per esempio 47 CR 5221. 47 è il codice per la leva JAFAR **CR** è il codice per la finitura Cromo 5221 è il codice di quel modello

Rubinetto a doppia maniglia con finitura Cromo

Potete indicare una finitura differente usando un codice diverso al posto di CR, quindi:
**CR** = Cromo
**ZZ** = Vecchio Bronzo
**RR** = Vecchio Rame
**OO** = Oro
**CO** = Cromo/Oro

Rubinetto a doppia maniglia con finitura Cromo/Oro

Per esempio:
47**CR**5221 è per il cromo
47**ZZ**5221 è per il vecchio bronzo
47**RR**5221 è per il vecchio rame
47**OO**5221 è per l'oro
47**CO**5221 è per il cromo/oro

Rubinetto a doppia maniglia con finitura Cromo/Oro

Rubinetto a doppia maniglia con finitura Cromo/Oro

**CURA DELLE FINITURE:** Si consiglia di mantenere la superficie del prodotto sempre pulita in modo che lo sporco e il calcare non attacchino la finitura.

Rubinetto a doppia maniglia con finitura Cromo/Oro

Per pulire il prodotto acquistato utilizzare un panno morbido, acqua e sapone neutro in modo da non graffiare ed alterare la finitura. Il sapone deve essere risciacquato accuratamente con acqua in modo che non si depositi sul rubinetto. L'uso di prodotti abrasivi (es. prodotti a base di ammoniaca) possono danneggiare la superficie. Per tali danni il prodotto non è in garanzia.

Rubinetto a doppia maniglia con finitura Cromo/Oro

Le finiture speciali sono il risultato di particolari processi produttivi che ne aggiungono valore. Variazioni minori ed imperfezioni sono da considerarsi una virtù di esclusività del pezzo stesso.

Rubinetto a doppia maniglia con finitura Cromo/Oro

Tutte le immagini delle finiture sono solo indicative, pertanto non sono vincolanti per la reale esecuzione. Inoltre Fiore Rubinetterie si riserva il diritto di modificare o cambiare lo stile di alcune finiture senza preavviso.

## HOW TO ORDER THE SURFACE FINISHINGS

For the ***single lever mixers, for the two handles mixers*** and for the ***bathroom accessories*** the finishing is indicated by the **2 letters** in the article number: for example 47 **CR** 5221. *81 is the code of the JAFAR handle* **CR** is the code for the Chrome finishing 5221 is the code of the model

Rubinetto a doppia maniglia con finitura Cromo

*You can indicate a different finishing using a different code instead of CR, so:*
**CR** = Chrome
**ZZ** = OLD BRONZE
**RR** = OLD CUPPER
**OO** = GOLD
**CO** = CROME/GOLD

Rubinetto a doppia maniglia con finitura Cromo/Oro

*For example:*
47**CR**5221 is for the chrome
47**ZZ**5221 is for the old bronze
47**RR**5221 is for the old cupper
47**OO**5221 is for the gold
47**CO**5221 is for the chrome/gold

Rubinetto a doppia maniglia con finitura Cromo/Oro

Rubinetto a doppia maniglia con finitura Cromo/Oro

**CARE OF FINISH:** *We recommend you to keep the surface of the product clean so that the dirt and the limestone don't attack the finish.*

Rubinetto a doppia maniglia con finitura Cromo/Oro

*To clean the purchased product, use a soft cloth, mild soap and water not to scratch and not to change the finish. The soap should be rinsed with water throughly so that it does not deposit on the tap. The use of abrasive products (eg. Products containing ammonia) may damage the surface. For such damage the product is not under warranty.*

Rubinetto a doppia maniglia con finitura Cromo/Oro

*The special finishes are the result of particular processes that add value. Minor variations and imperfections are to be considered a virtue of exclusivity of the piece itself.*

Rubinetto a doppia maniglia con finitura Cromo/Oro

*All the pictures of the finishing are only indicative, therefore are not binding to their real execution. Moreover, the company reserves itself the right to modify or change styles of some finishings without notice.*

## COMMENT COMMANDER LES FINITIONS

Pour les **mitigeurs, pour les melangeurs** et les **accessoires de bains**, la finition est indiquée par les deux lettres de la référence article.
Exemple : 47 CR 5221
47 indique la poignée JAFAR
CR indique la finition Chrome
5221 indique la référence de l'article

Rubinetto a doppia maniglia con finitura Cromo

Vous pouvez indiquer une finition différente en changeant le CR, et donc :
**CR** = Chrome
**ZZ** = Vieux Bronze
**RR** = Vieux Cuivre
**OO** = Or
**CO** = Chrome/Or

Rubinetto a doppia maniglia con finitura Cromo/Oro

Exemple :
47**CR**5221 pour le chrome
47**ZZ**5221 pour le vieux bronze
47**RR**5221 pour le vieux cuivre
47**OO**5221 pour l'or
47**CO**5221 pour le chrome/or

Rubinetto a doppia maniglia con finitura Cromo/Oro

Rubinetto a doppia maniglia con finitura Cromo/Oro

**SOINS DES FINITIONS:** Il est recommandé de garder la surface du produit toujours propre afin que la saleté et le calcaire n'attaquent pas la finition.

Rubinetto a doppia maniglia con finitura Cromo/Oro

Pour nettoyer votre produit, on conseil un chiffon doux, un savon doux et de l'eau afin de ne pas égratigner et détériorer la surface. Le savon doit être bien rincé avec de l'eau afin d'évider qu'il se dépose sur le robinet. L'utilisation de produits abrasifs (par exemple des produits à base d'ammoniaque) peut endommager la surface. Pour ces dommages le produit n'est plus sous garantie.

Rubinetto a doppia maniglia con finitura Cromo/Oro

Les finitions spéciales sont le résultat de certains procédés de fabrication à valeur ajoutée. Variations et imperfections mineures doivent être considérées comme une vertu de l'exclusivité de la pièce elle-même.

Rubinetto a doppia maniglia con finitura Cromo/Oro

Toutes les photos des finitions sont à titre indicatif et ne sont donc pas contraignantes sur la mise en œuvre effective. En outre Fiore Rubinetterie se réserve le droit de modifier ou de changer le style des certaines finitions sans préavis.

## Как заказать тип покрытия:

для **однорычажных смесителей**, Для **двухрукоятчных смесителей** и для **аксессуаров для ванной комнаты** тип покрытия указан **двумя буквами** в коде изделия.
Например: 47 **CR** 5221
47 - код рычага JAFAR
**CR** - код покрытия хром
5221 - код изделия

Rubinetto a doppia maniglia con finitura Cromo

Для указания другого типа покрытия, используйте соответствующие коды:
**CR** = Хром
**ZZ** = Старинная бронза
**RR** = Старинная медь
**OO** = Золото
**CO** = Хром/Золото

Rubinetto a doppia maniglia con finitura Cromo/Oro

Например, для серии JAFAR:
47**CR**5221 значит "хром"
47**OO**5221 значит "золото"
47**CO**5221 значит "хром/золото"
47**ZZ**5221 значит "старинная бронза"

Rubinetto a doppia maniglia con finitura Cromo/Oro

Rubinetto a doppia maniglia con finitura Cromo/Oro

***Уход за внешним покрытием:** Рекомендуем протирать смеситель после каждого пользования, во избежание появления известковых пятен и налипания грязи. Для очистки купленного изделия используйте мягкую салфетку для уборки, воду и нейтральное мыло, чтобы на смесителе не появились царапины и чтобы он не потерял блеска. Тщательно смойте всё мыло проточной водой.*

*Чистящие средства с абразивными веществами (например, средства на основе аммиака), могут повредить поверхность смесителя. На этот вид повреждений гарантия не распространяется. Особые типы покрытий являются результатом специальных производственных процессов, которые придают ценность изделию. Небольшие отклонения и несовершенства в покрытии придают эксклюзивность смесителю.*

Все визуальные изображения покрытий являются ориентировочными и не являются обязующими для реального процесса покрытия изделия. FIORE RUBINETTERIE оставляет за собой право видоизменить, полностью изменить стиль или исключить отдельный тип покрытия без предварительного уведомления.

## CONDIZIONI GENERALI DI VENDITA

### Ordini

Tutti gli ordini si intendono accettati dopo conferma da parte della Fiore Rubinterrie srl e non impegnano il produttore alla consegna anche parziale di quanto ordinato.

### Prezzi

I prezzi sono soggetti a variazioni e non sono impegnativi senza conferma.

### Spedizioni

Vengono sempre effettuate in porto assegnato, salvo speciali accordi in contrario. La merce viaggia a totale rischio e pericolo del committente, anche se venduta franco destino. La società Fiore Rubinetterie srl si ritiene sollevata da ogni responsabilità in merito ad eventuali ammanchi, avarie o ritardi.

Le spedizioni vengono effettuate con il mezzo disponibile al momento e le indicazioni del Cliente hanno valore di semplice raccomandazione.

### Termini di consegna

Sono soltanto approssimativi e non danno diritto al committente di annullare l'ordine o reclamare danni di qualsiasi natura per ritardi derivanti da incidenti di fabbricazione o di forza maggiore.

### Imballi

Gli imballi sono fatturati al puro costo e non si accettano di ritorno. Confezioni e imballi possono subire variazioni o modifiche senza preavviso.

### Trasporto

Addebito in fattura.

### Reclami

I reclami sono ritenuti validi solo se presentati entro 8 giorni dal ricevimento della merce, con raccomandata. I dati contenuti nel presente catalogo possono subire variazioni o modifiche senza alcun preavviso. I dati eventualmente riscontrati difformi dal Cliente non possono essere motivo di contestazione della fornitura.

### Responsabilità

La responsabilità di Fiore Rubinetterie srl circa la qualità dei materiali si limita all'accettazione del reso, franco nostro magazzino, e alla eventuale sostituzione di pezzi che venissero riscontrati difettosi, senza perciò essere tenuti ad alcun indennizzo. La società non accetta alcuna responsabilità per difetti che risultano da eventuale manomissione dei materiali forniti.

### Pagamenti

Le condizioni sono quelle indicate nelle offerte e nelle fatture proforma e sono impegnative. Trascorse le scadenze convenute, saranno conteggiati gli interessi di mora. Il ritardo nel pagamento autorizza la Fiore Rubinetterie srl a sospendere senza alcun preavviso le forniture in corso.

### Riserva di proprietà

La Fiore Rubinetterie srl si riserva la proprietà sulle merci fintanto che l'importo non viene totalmente pagato.

### Contestazioni

Per ogni controversia le parti eleggono il Foro Giudiziario di Novara.

## CONDIZIONI DI VENDITA

### SALE CONDITIONS

#### Orders

All orders are considered as accepted only after the order confirmation issued by Fiore Rubinetterie srl and they are not binding for any partial/total delivery by Fiore Rubinetterie srl.

#### Prices

Before the order confirmation the prices can be modified.

#### Deliveries

Deliveries are intended ex-factory, except for different agreements between Fiore Rubinetterie srl and the customers. Fiore Rubinetterie srl is not respon- sible for any delay or any kind of damage or missing of the goods during the transport, even in case of free destination delivery.

Deliveries will be effected through the forwarding agent available at that moment and the requests of the customer are intended only as recommendations.

#### Delivery terms

Delivery terms are inteded as indicative and do not authorize the cancellation of the order by the customer, or any refund request by the customer for any delay due to reasons, which do not depend from Fiore Rubinetterie srl, such as manufacture accidents or force majeure.

#### Packaging

The packing has to be paid and can not be returned by the customer. The packaging style can be modified without any notice.

#### Transport cost

The transport cost is calculated on the invoice.

#### Claims

Claims are valid only within 8 days upon receipt of the goods and must be communicated by registered letter. All details shown in the present catalogue can be modified without any notice. Different details stated by the customer cannot be object of claim.

#### Liability

Fiore Rubinetterie srl is responsible for the quality of the goods and will only replace defective pieces returned to the customer's charge. No further refund will be effected. Fiore Rubinetterie srl is not responsible for any damage caused to the product after the delivery.

#### Payments

The payment conditions are stated in our offers and proforma invoices and they are binding. After the maturity date interest on delayed payment will be calculated. Any delay of payment allows Fiore Rubinetterie srl to stop the deliveries without any notice.

#### Right of ownership

Fiore Rubinetterie srl reserves the right of ownership on the goods until their whole amount is totally paid.

#### Dispute

For any dispute the parties refer to the Court of Novara.

## CONDITIONS GENERALES DE VENTE

#### Commandes

Toutes les commandes sont considérées comme acceptées seulement après la confirmation par Fiore Rubinetterie srl et n’engagent pas notre société à leur livraison, même si partielle.

#### Prix

Les prix peuvent changer et ils ne sont pas valables sans notre confirmation.

#### Expeditions

Toutes les expéditions sont effectuées en départ usine sauf accords spéciaux différents. Le transport de la marchandise, même si les frais sont à charge de Fiore Rubinetterie srl, reste à risques et périls du commettant; manques et dommages ou retards éventuels ne peuvent pas être imputés à Fiore Rubinetterie srl.

Les expéditions sont effectuées par le moyen disponible et les indications du Client seront considérées seulement comme recommandations.

#### Délais de livraison

Les délais de livraison sont seulement indicatifs et ils ne donnent pas le droit au commettant d’annuler la commande ou de demander des remboursements de n’importe quelle nature pour retards causés par problèmes de fabrication ou de force majeure.

#### Emballages

Les emballages sont facturés au prix de revient et ils ne sont pas acceptés deretour. Ils peuvent être changés ou modifiés sans préavis.

#### Transport

Il est débité sur la facture.

#### Réclamations

Elles sont valables seulement si effectuées dans 8 jours de la réception de la marchandise par lettre recommandée.

Les données indiquées sur le présent catalogue peuvent être modifiées sans préavis.

Données relevées différentes par le client ne peuvent pas être la cause d’une contestation de la fourniture.

#### Responsabilité

La responsabilité de Fiore Rubinetterie srl sur la qualité des matériaux est limitée à l’acceptation des pièces de retour, franco notre magasin, et à leur remplacement, dans le cas où elles sont défectueuses, sans donc être obligés à aucun remboursement.

La société Fiore Rubinetterie srl ne peut pas être considérée responsables pour défauts causés par une altération éventuelle des matériaux fournis par elle.

#### Payement

Les conditions sont celles indiquées sur nos offres et factures proforma et elles sont contraignantes.

Après les échéances convenues, on calculera les intérêts moratoires. Le retard de paiement autorise la société Fiore Rubinetterie srl à suspendresans préavis les fournitures en cours.

#### Réserve de propriété

La société Fiore Rubinetterie srl se réserve la propriété jusqu’au moment où la marchandise n’est pas totalement payée.

#### Litiges

Pour tout litige, les parties reconnaissent la compétence du Tribunal de Novara.

